

ELECTRIC DOUBLE LAYER CAPACITORS

PRODUCT SPECIFICATION

規格書

CUSTOMER :
(客戶) :

DATE :
(日期) : 2019-7-23

CATEGORY (品名) : ELECTRIC DOUBLE LAYER CAPACITORS
DESCRIPTION (型号) : DRL 2.7V22F (φ16x25)
VERSION (版本) : 01
Customer P/N : /
SUPPLIER : /

SUPPLIER	
PREPARED (拟定)	CHECKED (审核)

CUSTOMER	
APPROVAL (批准)	SIGNATURE (签名)

	ELECTRIC DOUBLE LAYER CAPACITORS SPECIFICATION DRL SERIES	
--	--	--

CONTENTS

	Sheet
1. Application	3
2. Part Number System	3
3. Characteristics	4~10
3.1 Rated voltage & Surge voltage	
3.2 Capacitance (Tolerance)	
3.3 ESR	
3.4 Leakage current	
3.5 Temperature characteristic	
3.6 Load life test	
3.7 Damp heattest	
3.8 Lead strength	
3.9 Resistance to vibration	
3.10 Solderability	
3.11 Resistance to soldering heat	
4. Product Dimensions	11
5. Notice item	12

Issued-date: 2015-09-10	Name	Specification Sheet – DRL		
Version	01		Page	2
STANDARD MANUAL				

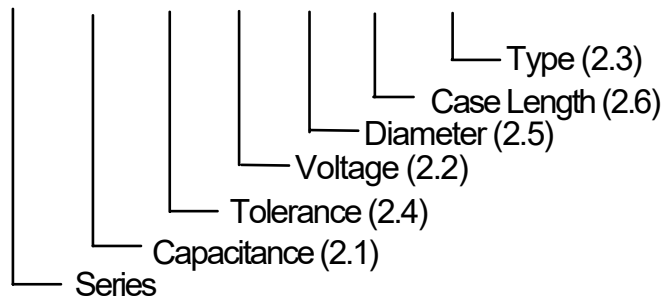
	ELECTRIC DOUBLE LAYER CAPACITORS SPECIFICATION DRL SERIES	
--	--	--

1. Application

The specification applies to electric double layer capacitors used in electronic equipment.

2. Part Number System

DRL 226 S 0T K 25 RR



2.1 Capacitance code

Code	226
Capacitance (F)	22

2.2 Rated voltage code

Code	0T
Voltage (W.V.)	2.7

2.3 Type

Code	RR
Type	Bulk

2.4 Capacitance tolerance

“S” stands for -20% ~ +50%

2.5 Diameter

Code	K
Diameter	16

2.6 Case length

25=25mm

Issued-date: 2015-09-10	Name	Specification Sheet – DRL		
Version	01		Page	3
STANDARD MANUAL				

	ELECTRIC DOUBLE LAYER CAPACITORS SPECIFICATION DRL SERIES	
--	--	--

3. Characteristics

Standard atmospheric conditions

Unless otherwise specified, the standard range of atmospheric conditions for making measurements and tests is as follows:

- Ambient temperature: 15°C to 35°C
- Relative humidity : 25% to 75%
- Air Pressure : 86kPa to 106kPa

If there is any doubt about the results, measurement shall be made within the following conditions:

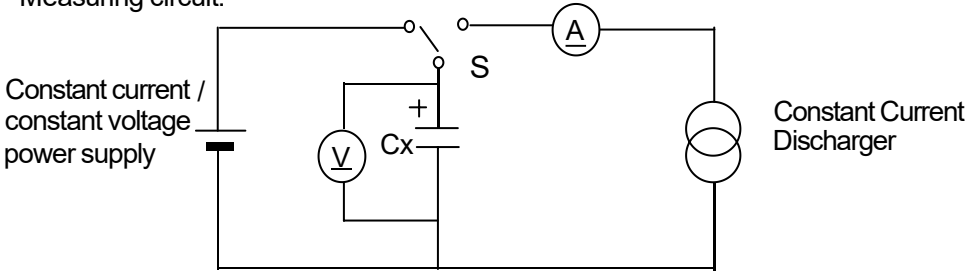
- Ambient temperature: 20°C ± 2°C
- Relative humidity : 60% to 70%
- Air Pressure : 86kPa to 106kPa

Operating temperature range

The ambient temperature range at which the capacitor can be operated continuously at rated voltage is -40°C to 70°C.

Issued-date: 2015-09-10	Name	Specification Sheet – DRL		
Version	01		Page	4
STANDARD MANUAL				

**ELECTRIC DOUBLE LAYER
CAPACITORS
SPECIFICATION
DRL SERIES**

ITEM		PERFORMANCE					
3.1	<p>Rated voltage (WV)</p> <p>Surge voltage (SV)</p>	<table border="1" style="margin: auto;"> <tr> <td style="padding: 5px;">WV (V.DC)</td> <td style="padding: 5px;">2.7</td> </tr> <tr> <td style="padding: 5px;">SV (V.DC)</td> <td style="padding: 5px;">2.8</td> </tr> </table>	WV (V.DC)	2.7	SV (V.DC)	2.8	
WV (V.DC)	2.7						
SV (V.DC)	2.8						
3.2	<p>Nominal capacitance (Tolerance)</p>	<p><Condition> Constant current discharge method: Measuring circuit:</p>  <p style="text-align: right;">Constant Current Discharger</p> <p>Key</p> <ul style="list-style-type: none"> A d.c. ammeter V d.c. voltmeter S changeover switch Cx capacitor under test <p style="text-align: center;">Figure 1- Circuit for constant current discharge method</p> <p>Measuring method</p> <ol style="list-style-type: none"> a) Set the d.c.voltage at the rated voltage (U_R) b) Set the constant current value of the constant current discharger to the discharge current specified in Table 1. c) Turn the switch S to the d.c.power supply ,apply voltage and charge for 30 min after the constant current / constant voltage power supply has achieved the rated voltage. d) After a charge for 30 minhas finished ,change over the switch S to the constant current discharger ,and discharge with a constant current. e) Measure the time t_1 and t_2 where the voltage between capacitor terminals at the time of discharge reduces from U_1 to U_2 as shown in Figure 2 ,and calculate the capacitance value by the following formula: 					

Issued-date: 2015-09-10	Name	Specification Sheet – DRL		
Version	01		Page	5
STANDARD MANUAL				

**ELECTRIC DOUBLE LAYER
CAPACITORS
SPECIFICATION
DRL SERIES**

<Condition>

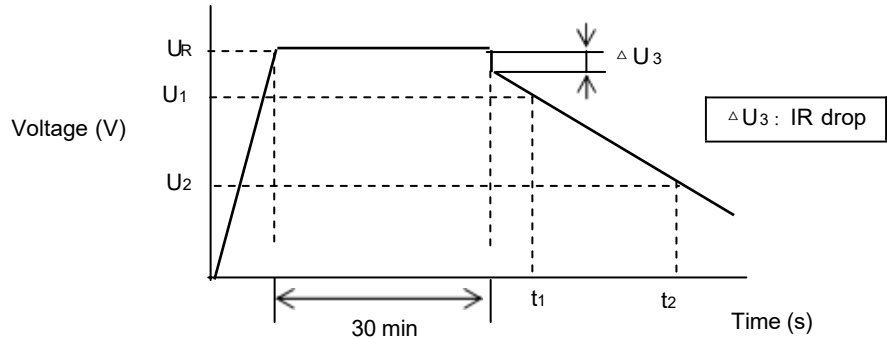


Figure 2- Voltage characteristic between capacitor terminals

$$C = \frac{I \times (t_2 - t_1)}{U_1 - U_2}$$

Where

- C is the capacitance(F);
- I is the discharge current (A);
- U₁ is the measurement starting voltage (V);
- U₂ is the measurement end voltage (V);
- t₁ is the time from discharge start to reach U₁ (s);
- t₂ is the time from discharge start to reach U₂ (s).

f) The discharge current I and the voltages U₁ and U₂ at the time of discharge voltage drop shall be as per Table 1 .The method classification shall be in accordance with the individual standards.

Table 1 – Discharge conditions

Charge time	30 min
I(mA)	4 x C U _R
U ₁	The value to be 80% of the charging voltage (0.8xU _R)
U ₂	The value to be 40% of the charging voltage (0.4xU _R)
NOTE C _R is the rated capacitance in F(Farad),and U _R is the rated voltage in V (Volt)	

3.2 Nominal capacitance (Tolerance)

Issued-date: 2015-09-10

Name

Specification Sheet – DRL

Version

01

Page

6

STANDARD MANUAL

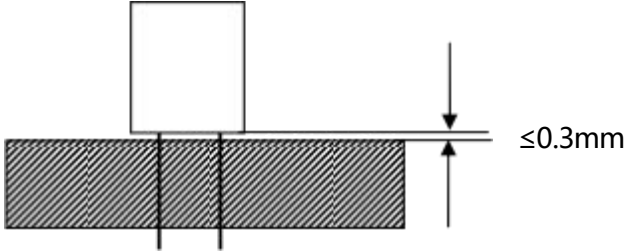
	ELECTRIC DOUBLE LAYER CAPACITORS SPECIFICATION DRL SERIES	
--	--	--

3.3	ESR	<p><Condition> Measuring frequency :1kHz Measuring temperature:20±2°C Measuring point : 2mm max from the surface of a sealing resin on the lead wire. <Criteria> (20°C)Less than the initial limit:</p> <table border="1" style="width: 100%; border-collapse: collapse;"> <tr> <th style="width: 25%;">Rated Voltage (V)</th> <th style="width: 25%;">Capacitance (F)</th> <th style="width: 25%;">Dimension (D ×L, mm)</th> <th style="width: 25%;">ESR, AC (mΩ) (max) at 1kHz/20°C</th> </tr> <tr> <td style="text-align: center;">2.7</td> <td style="text-align: center;">22</td> <td style="text-align: center;">16x25</td> <td style="text-align: center;">40</td> </tr> </table>	Rated Voltage (V)	Capacitance (F)	Dimension (D ×L, mm)	ESR, AC (mΩ) (max) at 1kHz/20°C	2.7	22	16x25	40																
Rated Voltage (V)	Capacitance (F)	Dimension (D ×L, mm)	ESR, AC (mΩ) (max) at 1kHz/20°C																							
2.7	22	16x25	40																							
3.4	Leakage current	<p><Condition> 1. Ambient temperature: 25°C ± 2°C. 2.The electrification time:72H 3. Desistance value of protective resistor less than 1Ω. <Criteria> Less than the initial limit(25°C ± 2°C): I ≤ 0.060mA I is the Leakage current</p>																								
3.5	Temperature characteristic	<p><Condition></p> <table border="1" style="width: 100%; border-collapse: collapse;"> <thead> <tr> <th style="width: 10%;">STEP</th> <th style="width: 20%;">Temperature(°C)</th> <th style="width: 20%;">Item</th> <th style="width: 50%;">Characteristics</th> </tr> </thead> <tbody> <tr> <td style="text-align: center;">1</td> <td style="text-align: center;">20±2</td> <td style="text-align: center;">Capacitance、ESR</td> <td style="text-align: center;">-----</td> </tr> <tr> <td rowspan="2" style="text-align: center;">2</td> <td rowspan="2" style="text-align: center;">-40+3</td> <td style="text-align: center;">ΔC/C</td> <td style="text-align: center;">Within ±30% of initial capacitance</td> </tr> <tr> <td style="text-align: center;">ESR</td> <td style="text-align: center;">Less than or equal to 4 times ofthe value of item 3.3</td> </tr> <tr> <td style="text-align: center;">3</td> <td style="text-align: center;">Keep at 15 to 35°C for 15 minutes or more</td> <td style="text-align: center;">-----</td> <td style="text-align: center;">-----</td> </tr> <tr> <td rowspan="2" style="text-align: center;">4</td> <td rowspan="2" style="text-align: center;">70±2</td> <td style="text-align: center;">ΔC/C</td> <td style="text-align: center;">Within ±30% of initial capacitance</td> </tr> <tr> <td style="text-align: center;">ESR</td> <td style="text-align: center;">The limit specified in 3.3</td> </tr> </tbody> </table> <p>a. ESR -40°C/ ESR 20°C: ESR ratio at 1kHz; b. ΔC/C 20°C: Capacitance change ;</p>	STEP	Temperature(°C)	Item	Characteristics	1	20±2	Capacitance、ESR	-----	2	-40+3	ΔC/C	Within ±30% of initial capacitance	ESR	Less than or equal to 4 times ofthe value of item 3.3	3	Keep at 15 to 35°C for 15 minutes or more	-----	-----	4	70±2	ΔC/C	Within ±30% of initial capacitance	ESR	The limit specified in 3.3
STEP	Temperature(°C)	Item	Characteristics																							
1	20±2	Capacitance、ESR	-----																							
2	-40+3	ΔC/C	Within ±30% of initial capacitance																							
		ESR	Less than or equal to 4 times ofthe value of item 3.3																							
3	Keep at 15 to 35°C for 15 minutes or more	-----	-----																							
4	70±2	ΔC/C	Within ±30% of initial capacitance																							
		ESR	The limit specified in 3.3																							

	ELECTRIC DOUBLE LAYER CAPACITORS SPECIFICATION DRL SERIES	
--	--	--

3.6	Load life test	<p><Condition> The Capacitor is stored at a temperature of 70 ± 2 °C with rated voltage for 1000 +48/0 hours .The result should meet the following table:</p> <p><Criteria></p> <table border="1" style="width: 100%; border-collapse: collapse;"> <thead> <tr> <th style="width: 40%;">Item</th> <th>Performance</th> </tr> </thead> <tbody> <tr> <td>Capacitance Change</td> <td>Within $\pm 30\%$ of initial capacitance</td> </tr> <tr> <td>ESR</td> <td>Less than or equal to 4 times of the value of item 3.3</td> </tr> <tr> <td>Appearance</td> <td>No visible damage and no leakage of electrolyte</td> </tr> </tbody> </table>	Item	Performance	Capacitance Change	Within $\pm 30\%$ of initial capacitance	ESR	Less than or equal to 4 times of the value of item 3.3	Appearance	No visible damage and no leakage of electrolyte
Item	Performance									
Capacitance Change	Within $\pm 30\%$ of initial capacitance									
ESR	Less than or equal to 4 times of the value of item 3.3									
Appearance	No visible damage and no leakage of electrolyte									
3.7	Damp heat test	<p><Condition> Humidity Test: The capacitor shall be exposed for 240±48 hours in an atmosphere of 90~95%RH at 40 ± 2°C, the characteristic change shall meet the following requirement.</p> <p><Criteria></p> <table border="1" style="width: 100%; border-collapse: collapse;"> <thead> <tr> <th style="width: 40%;">Item</th> <th>Performance</th> </tr> </thead> <tbody> <tr> <td>Capacitance Change</td> <td>Within $\pm 30\%$ of initial capacitance</td> </tr> <tr> <td>ESR</td> <td>Less than or equal to 4 times of the value of item 3.3</td> </tr> <tr> <td>Appearance</td> <td>No visible damage and no leakage of electrolyte</td> </tr> </tbody> </table>	Item	Performance	Capacitance Change	Within $\pm 30\%$ of initial capacitance	ESR	Less than or equal to 4 times of the value of item 3.3	Appearance	No visible damage and no leakage of electrolyte
Item	Performance									
Capacitance Change	Within $\pm 30\%$ of initial capacitance									
ESR	Less than or equal to 4 times of the value of item 3.3									
Appearance	No visible damage and no leakage of electrolyte									

	ELECTRIC DOUBLE LAYER CAPACITORS SPECIFICATION DRL SERIES	
--	--	--

3.8	Lead strength	<p>a) Lead pull strength A static load force shall be applied to the terminal in the axial direction and acting in a direction away from the body for 10±1 s.</p> <table border="1" style="margin-left: auto; margin-right: auto;"> <tr> <th style="width: 60%;">Lead wire diameter (mm)</th> <th style="width: 40%;">Load force (N)</th> </tr> <tr> <td style="text-align: center;">0.5 < d ≤ 0.8</td> <td style="text-align: center;">10</td> </tr> </table> <p>b) Lead bending When the capacitor is placed in a vertical position and the weight specified in the table above is applied to one lead and then the capacitor is slowly rotated 90° to a horizontal position and then returned to a vertical position thus completing bends for 2~3seconds. The additional bends are made in the opposite direction</p> <table border="1" style="margin-left: auto; margin-right: auto;"> <tr> <th style="width: 60%;">Lead wire diameter (mm)</th> <th style="width: 40%;">Load force (N)</th> </tr> <tr> <td style="text-align: center;">0.5 < d ≤ 0.8</td> <td style="text-align: center;">5</td> </tr> </table> <p>Performance: The characteristic shall meet the following value after a) or b) test.</p> <table border="1" style="margin-left: auto; margin-right: auto;"> <tr> <th style="width: 50%;">Item</th> <th style="width: 50%;">Performance</th> </tr> <tr> <td>Capacitance Change</td> <td>Within ±30% of initial capacitance</td> </tr> <tr> <td>Appearance</td> <td>No visible damage Legible marking and no leakage of electrolyte</td> </tr> </table>	Lead wire diameter (mm)	Load force (N)	0.5 < d ≤ 0.8	10	Lead wire diameter (mm)	Load force (N)	0.5 < d ≤ 0.8	5	Item	Performance	Capacitance Change	Within ±30% of initial capacitance	Appearance	No visible damage Legible marking and no leakage of electrolyte
Lead wire diameter (mm)	Load force (N)															
0.5 < d ≤ 0.8	10															
Lead wire diameter (mm)	Load force (N)															
0.5 < d ≤ 0.8	5															
Item	Performance															
Capacitance Change	Within ±30% of initial capacitance															
Appearance	No visible damage Legible marking and no leakage of electrolyte															
3.9	Resistance to vibration	<p>Frequency: 10 to 55 Hz (1minute interval / 10 → 55 → 10Hz) Amplitude: 0.75mm(Total excursion 1.5mm) Direction :X、 Y、 Z (3 axes) Duration: 2hours/ axial (Total 6 hours) The capacitors are supported as the following Fig2</p> <div style="text-align: center;">  <p style="margin-left: 150px;">≤0.3mm</p> </div> <p style="text-align: center;">Fig2</p> <p>Performance: Capacitance value shall not show drastic change compared to the initial capacitance when the value is measured within 30 minutes. Prior to the completion of exam, Capacitance difference shall be within ±10% compared to the initial value the exam.</p>														

	ELECTRIC DOUBLE LAYER CAPACITORS SPECIFICATION DRL SERIES	
--	--	--

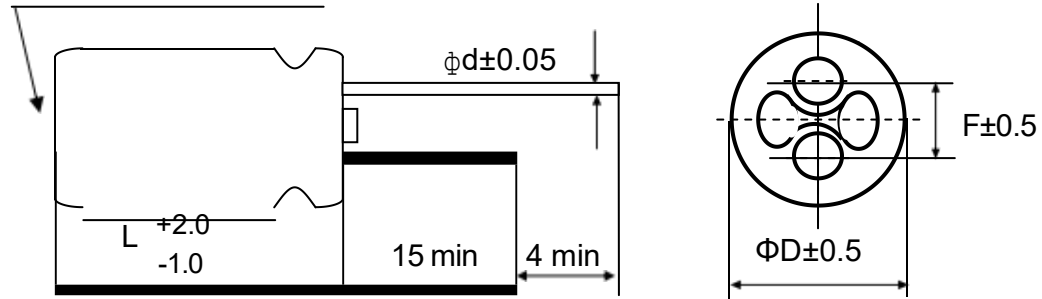
3.10	Solderability	<p>The capacitor shall be tested under the following conditions:</p> <p>Solder : Sn-3Ag-0.5Cu Soldering temperature: 245±3°C Immersing time : 2.0±0.5s Immersing depth : 1.5~ 2.0mm from the root. Flux : Approx .25% rosin (JIS K5902) in ETHANOL (JIS K1501)</p> <p>Performance: At least 75% of the dipped portion of the terminals shall be covered with new solder.</p>						
3.11	Resistance to soldering heat	<p>A) Solder bath method Lead terminals of a capacitor are placed on the heat isolation board with thickness of 1.6±0.5mm. It will dip into the flux of isopropyl alcohol solution of colophony. Then it will be immersed at the surface of the solder with the following condition: Solder : Sn-3Ag-0.5Cu Soldering temperature : 260 ±5°C Immersing time : 5±0.5s Heat protector: t=1.6mm glass –epoxy board</p> <p>B) Soldering iron method Bit temperature : 350 ±10°C Application time : 3.5 ±0.5 s Heat protector: t=1.6mm glass –epoxy board</p> <p>For both methods, after the capacitor at thermal stability, the following items shall be measured:</p> <table border="1" style="width: 100%; border-collapse: collapse;"> <thead> <tr> <th style="width: 50%;">Item</th> <th style="width: 50%;">Performance</th> </tr> </thead> <tbody> <tr> <td>Capacitance Change</td> <td>Within ±10% of initial capacitance</td> </tr> <tr> <td>Appearance</td> <td>No visible damage legible marking and no leakage of electrolyte</td> </tr> </tbody> </table>	Item	Performance	Capacitance Change	Within ±10% of initial capacitance	Appearance	No visible damage legible marking and no leakage of electrolyte
Item	Performance							
Capacitance Change	Within ±10% of initial capacitance							
Appearance	No visible damage legible marking and no leakage of electrolyte							

ELECTRIC DOUBLE LAYER
CAPACITORS
SPECIFICATION
DRL SERIES

4. Product Dimensions

Unit: mm

Safety vent for $\geq \phi 6.3$



ϕD	16
L	25
F	7.5
ϕd	0.8

Issued-date: 2015-09-10

Name

Specification Sheet – DRL

Version

01

Page

11

STANDARD MANUAL

	ELECTRIC DOUBLE LAYER CAPACITORS SPECIFICATION DRL SERIES	

5 . Notice item

- (1) The capacitor has fixed polarity.
- (2) The capacitor should be used underrated voltage.
- (3) The capacitor should not be used in the charge and discharge circuit with high frequency.
- (4) The ambient temperature affects the super capacitor life.
- (5) Voltage reduction $\Delta V=IR$ will happen at the moment of discharge.
- (6) The capacitor cannot be stored on the place with humidity over 85%RH or place with toxic gas.
- (7) The capacitor should stored in the environment within $-30^{\circ}\text{C}\sim 50^{\circ}\text{C}$ temperature and less than 60% relative humidity.
- (8) If the capacitor is applied on the double-side PCB, the connection should not be around the place on which the super capacitor can contact.
- (9) Don't twist capacitor or make it slanting after installing.
- (10) Need avoid overheat on the capacitor during soldering (The temperature should be 260°C with the timeless than 5s during soldering on 1.6mm printed PCB.)
- (11) There is voltage balance problem between each capacitor unit during series connection between super capacitor.

Issued-date: 2015-09-10	Name	Specification Sheet – DRL	
Version	01	Page	12
STANDARD MANUAL			