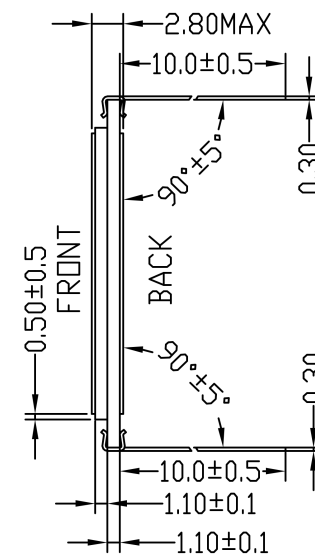
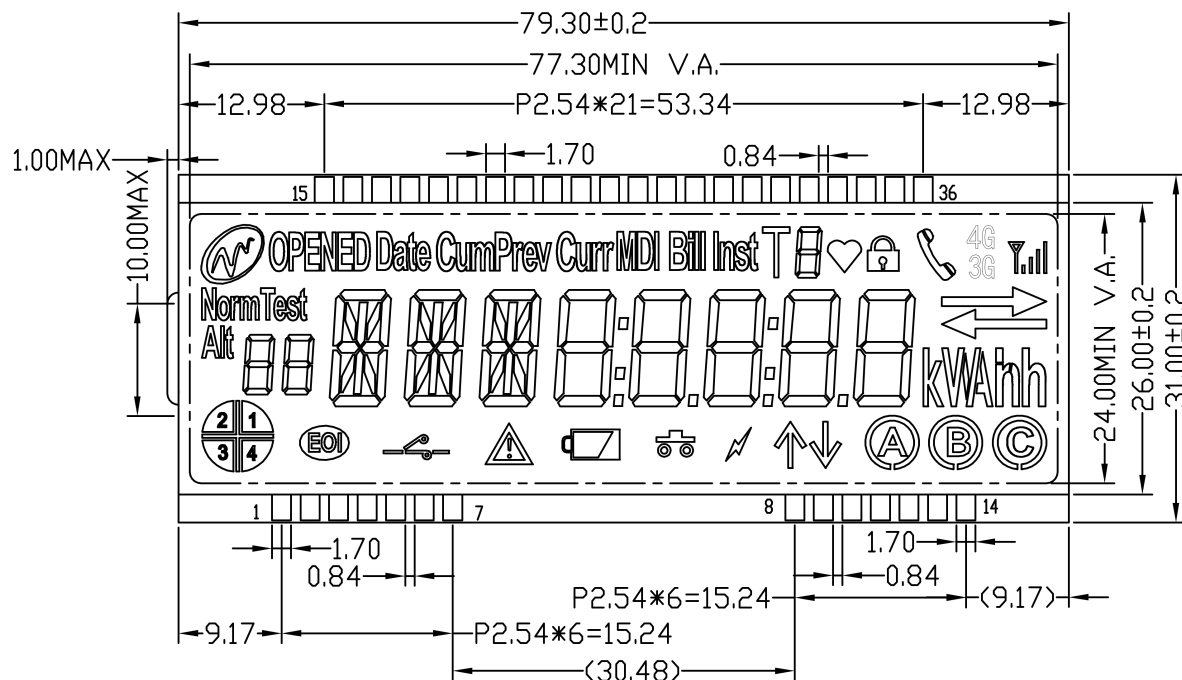


FRONT



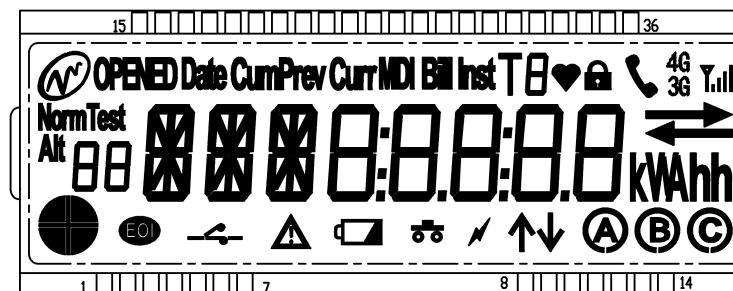
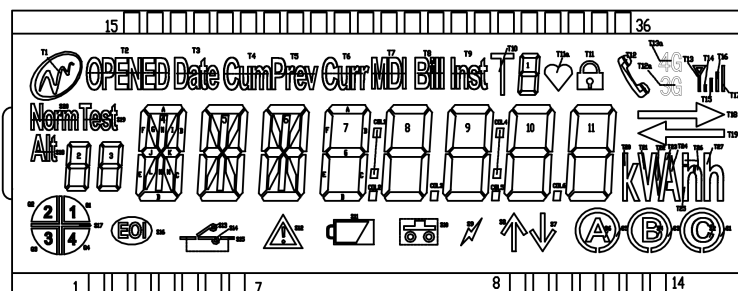
编号	修改记录
00	依M9320-00修改图案新增一款型号
01	增加显示内容, 重新走线

1. DRIVING VOLTAGE : 3.3V, 1/6DUTY, 1/3BIAS	6. FRONT POLARIZER : TRANSMISSIVE(偏黄底色)
2. STORAGE TEMPERATURE : -30 °C TO 85 °C	7. BACK POLARIZER : REFLECTIVE(黄底片)
3. OPERATING TEMPERATURE : -20 °C TO 80 °C	8. CONNECTORS : PIN=10.00MM
4. VIEWING DIRECTION : 6 O'CLOCK	9. SCREEN PRINTING :
5. DISPLAY MODE : HTN(3) POSITIVE	10. REMARKS :

YTL Zhejiang yongtailong electronic co.,Ltd					
MODEL No.:	M9337	VER:	01	UNIT	MILLIMETRE
DESIGNER	ZZE	DATE	22-03-05	PAGE	1 OF 2
CHECKED	JOAN	DATE	22-03-05		
APPROVED	HLJ	DATE	22-03-05		

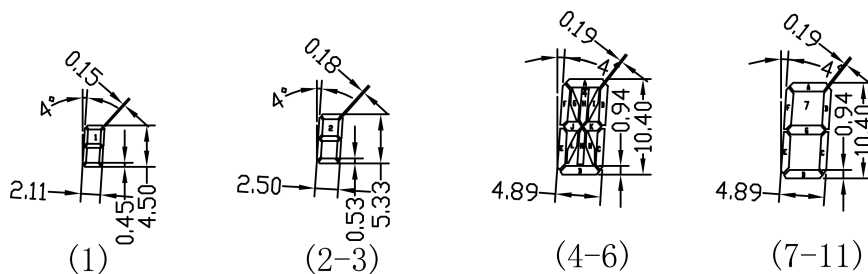
This page is for logical reference only

# Full display



## Truth-value

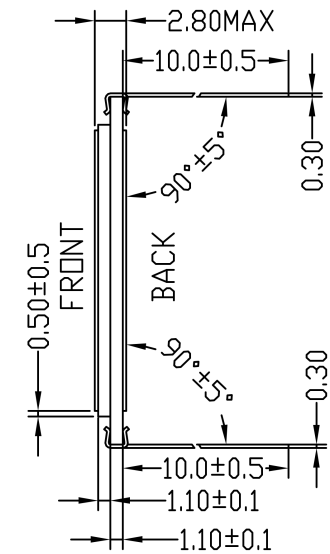
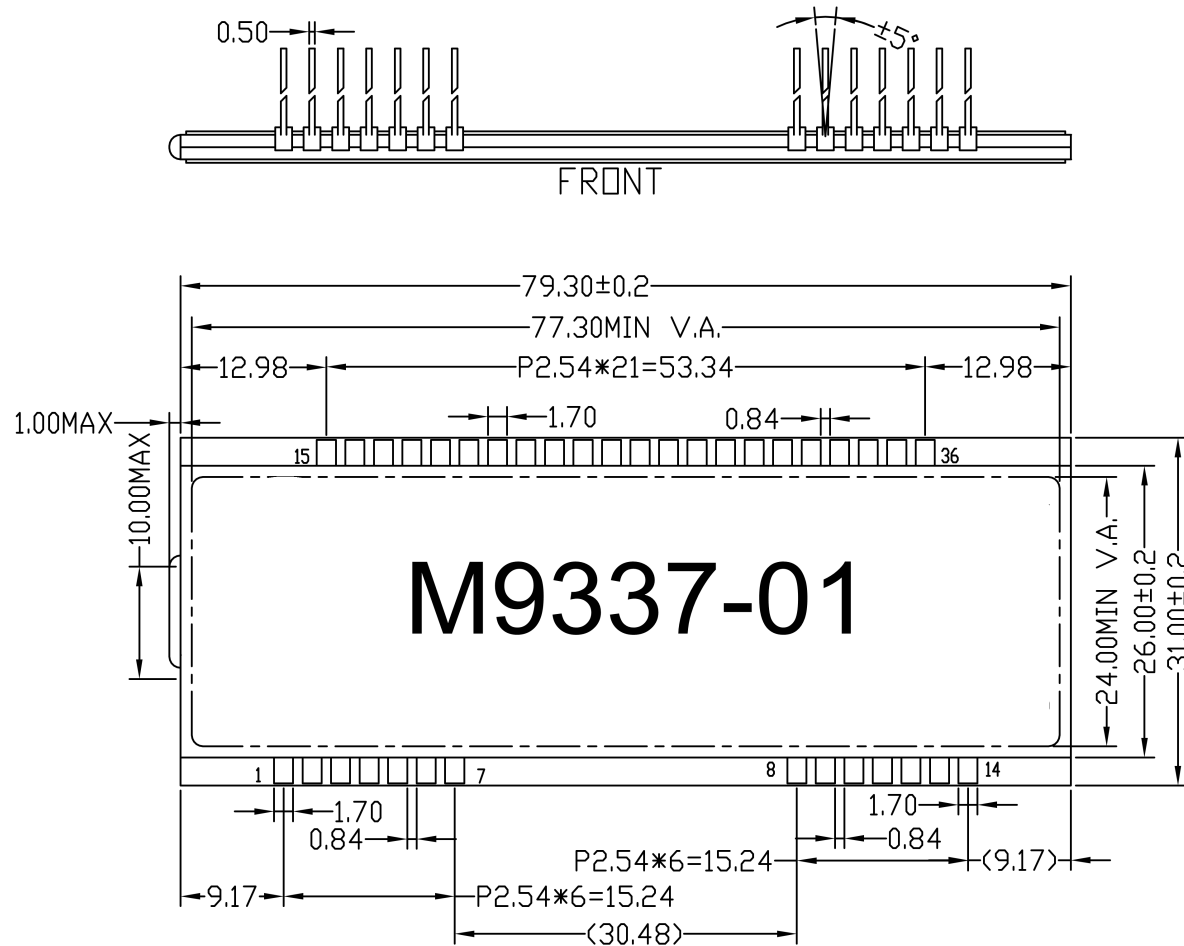
PIN	1	2	3	4	5	6	7	8	9	10	11	12	13	14	15	16	17	18	19	20	21	22	23	24	25	26	27	28	29	30	31	32	33	34	35	36	
COM0	Q3	Q4	S16	S15	S12	COL2	S11	COL3	COL5	S10	T27	—	—	—	COM0	—	—	—	—	S14	4 E	—	4 C	5 E	—	5 C	6 E	—	6 C	S9	—	S8	S6	S4	S2		
COM1	S17	Q1	2D	3D	7D	8E	8D	9D	10E	10D	T26	—	—	—	COM1	—	—	—	—	S13	4 L	4 D	4 N	5 L	5 D	5 N	6 L	6 D	6 N	COL6	11D	S7	S5	S3	S1		
COM2	Q2	2E	2C	3E	7E	7C	8C	9E	9C	10G	T25	—	—	—	COM2	—	—	—	—	3C	4 J	4 M	4 K	5 J	5 M	5 K	6 J	6 M	6 K	10C	11E	11C	T20	T21	T23		
COM3	S18	2F	2G	3G	7G	COL1	8G	9G	COL4	10A	T24	—	—	—	—	—	—	—	COM3	—	—	3B	4 G	4 H	4 I	5 G	5 H	5 I	6 G	6 H	6 I	10B	11G	11B	T18	T19	T22
COM4	S20	S19	2B	3F	7F	8F	8B	9F	10F	1D	T16	—	—	—	—	—	—	—	COM4	—	1E	4 F	4 A	4 B	5 F	5 A	5 B	6 F	6 A	6 B	1C	11F	T11	T12	T13	T14	
COM5	T1	T2	2A	3A	7A	7B	8A	9A	9B	1G	T17	—	—	—	—	—	—	—	COM5	1A	T3	T4	T5	T6	T7	T8	T9	T10	1F	1B	11A	T11a	T12a	T13a	T15		



**YTL** Zhejiang yongtailong electronic co.,Ltd

MODEL No.:	M9337	VER:	01	UNIT	MILLIMETRE
DESIGNER	ZZE	DATE	22-03-05	PAGE	2 OF 2
CHECKED	JOAN	DATE	22-03-05		
APPROVED	HLJ	DATE	22-03-05		

编号	修改记录
00	依M9320-00修改图案新增一款型号
01	增加显示内容, 重新走线



1. DRIVING VOLTAGE : 3.3V, 1/6DUTY, 1/3BIAS	6. FRONT POLARIZER : TRANSMISSIVE (偏黄底色)
2. STORAGE TEMPERATURE : -30 °C TO 85 °C	7. BACK POLARIZER : REFLECTIVE (黄底片)
3. OPERATING TEMPERATURE : -20 °C TO 80 °C	8. CONNECTORS : PIN=10.00MM
4. VIEWING DIRECTION : 6 O'CLOCK	9. SCREEN PRINTING :
5. DISPLAY MODE : HTN(3) POSITIVE	10. REMARKS :

YTLY Zhejiang yongtailong electronic co.,Ltd					
MODEL No.:	M9337	VER:	01	UNIT	MILLIMETRE
DESIGNER	ZZE	DATE	22-03-05	PAGE	1 OF 2
CHECKED	JOAN	DATE	22-03-05		
APPROVED	HLJ	DATE	22-03-05		