



ISO9001 Certified Enterprise



YIMIN DRYING

PROFESSIONAL DRYING,
GRANULATING & MIXING SOLUTIONS

CHANGZHOU YIMIN DRYING EQUIPMENT CO., LTD

Company Profile

Founded in 2002, Changzhou Yimin Drying Equipment Co., Ltd. specializes in R&D and manufacturing of industrial drying, granulating, mixing, and grinding equipment for pharmaceutical, food, chemical, agrochemical, and cosmetic industries.

Located in Changzhou (near Shanghai), our factory covers 38,000 m² with 16,000 m² built-up area. We operate with fixed assets of RMB 28.5 million and a team of over 150 employees. Certified with ISO9001, ISO14001, and ISO45001, we are also an approved pressure vessel manufacturer. Yimin holds 5 invention patents and over 60 utility model patents.

As a key enterprise in China's drying industry, we have been recognized as an "Advanced Quality Management Company of Jiangsu Province" and a "High-tech Enterprise" (2015), with several machine models certified as High-tech Products.

Equipped with over 180 processing units and strong technical expertise, we produce more than 1,500 sets annually across 10 series and 300+ specifications, including drying, mixing, granulating, crushing, dust removal, and screening equipment. Our products serve chemical, food, feed, mining, agriculture, electronics, light industry and more, with distribution across China and exports to Europe, Africa, Oceania, and the Americas.

We warmly welcome customers to visit our facility and learn more about Yimin.





WORKSHOP AND PROCESSING EQUIPMENTS



Machines for trials





Lathe



Laser cutting machine



Polishing Machine



Polishing Machine



Boring Lathe



Plate Shearing and Bending Machine

CERTIFICATES OF PATENT

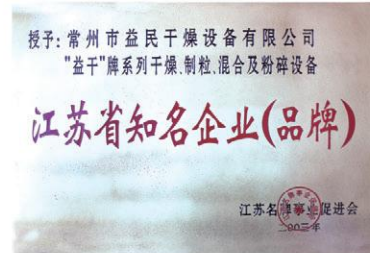




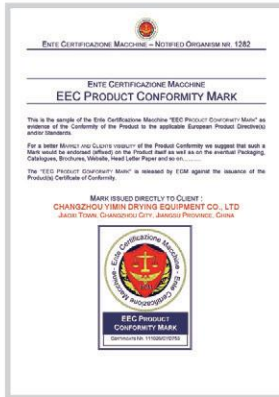
High And New Technology Enterprise



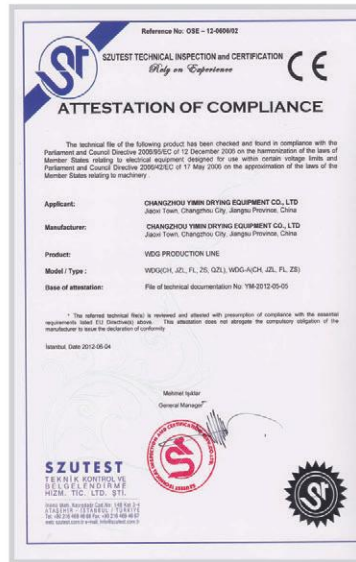
Famous Trademark of Changzhou



Famous Company of Jiangsu



High-tech Products Certificates



Private Science and Technology of Jiangsu



TYPICAL USERS





PRODUCTS CATALOG

01

DRYERS SERIES

- 01 CT / CT-C Series Hot Air Circulation Oven Dryer
- 03 YZG Round and FZG Square Vacuum Dryer
- 05 MZG Series Pulsating Vacuum Dryer
- 07 SZG Series Double Cone Rotary Vacuum Dryer
- 09 DZG Series Single Cone Vacuum Dryer
- 10 ZB Series Harrow Vacuum Dryer
- 11 FG Series Vertical Type Fluid Bed Dryer
- 12 GFG Series Batch Type Fluid Bed Dryer
- 13 BLGZ Series Closed-loop Circuit Fluid Bed Dryer
- 15 XF series Box Shape Continuous Fluid Bed Dryer
- 17 ZLG Series Vibration Fluid Bed Dryer
- 18 DW Series Belt Dryer
- 20 XSG Series Spin Flash Dryer
- 22 QG,JG Series Air stream Dryer
- 24 ZLPG Series Spray Dryer for Extract
- 26 LPG Series Centrifugal Spray Dryer
- 28 YPG Series Pressure Granulation Spray Dryer
- 30 HG Series Rotary Drum Scraper Dryer
- 31 CD Series Disc Dryer
- 33 PLG Series Continuous Plate Dryer
- 37 KJG Series Hollow Paddle Dryer

02

GRANULATORS SERIES

- 39 FL Series One-step Fluid Bed Granulator
- 41 FLP Series Granulation Fluid Bed Coater
- 43 GHL Series High Shear Wet Mixing Granulator
- 45 PGL-B Series Spray Drying Granulator
- 46 GK Series Dry Roller Compactor

- 47 GZL Series Rolling Granulator
- 49 JZL Series Rotary Extrusion Granulator
- 50 SE Series Screw Extrusion Granulator
- 51 QZL Series Spherical Pelletizer
- 52 YK Series Sway Granulator KZL Series Fast Grinding Granulator

03

MIXER SERIES

- 53 SYH Series Three-dimensional Mixer
- 54 EYH Series Two-dimensional Mixer
- 55 FZH Series Square Cone Mixer
- 56 VH Series V-Shaped Mixer
- 57 VI Series forced-Mixing Mixer SZH Series Double Cone Mixer
- 58 DZH Series Twin-screw Cone Mixer
- 59 WLDH Series Horizontal Ribbon Mixer
- 60 CH Series Trough Mixer
- 60 GHJ Series High Speed Mixer

04

GRINDERS AND SIEVES

- 61 B/B-X Series Universal Grinder
- 61 PSJ Series Crusher
- 61 CSJ Series Coarse Crusher
- 62 WFJ Series Micro Pulverizer
- 63 ZS Series Round Vibrating Sieve / FS Series Vibrating Sieve

CT / CT-C Series Hot Air Circulation Oven Dryer

ISO9001:2008



Features

Most of hot air circling inside the oven. High thermal efficiency. Saving energy source. Enhanced ventilation and adjustable air divider plate inside the oven. Raw materials can be dried evenly. The heat source can be steam, hot water, electricity, heat-conducting oil or hot air from furnace. Low noise and stable operation. Automatic temperature control. Convenient installation and maintenance. Widely applications. Almost suitable for all kinds of raw materials.

Application

It is suitable for heating and solidification, drying and dehydration of raw materials in pharmaceutical industry, chemical industry, foodstuff industry, agricultural and sideline products, aquatic products, light industry, heavy industry and so on. The raw materials can be medicine of raw materials, Chinese traditional medicine, and tablet of drink, immersed electuary, powder, granule, packing bottle, pigment, dyestuff, dehydration vegetable, dried fruit and melons, banger, plastic resin, electric elements, drying varnish and so on.



Technical Parameters

Model	Drying area	Capacity (kg/batch)	Fan power (kw)	Steam consumption (kg/h)	Radiation area (m ²)	Electrical heater power(kw)	Overall dimension L,W,H(mm)	Door	Trolley	Tray	weight (kg)
CT-C-0	7.1	60	0.45	10	10	6	1200×1000×1750	1	1	24	820
CT-C-1	14.1	120	0.45	18	20	15	2300×1200×2000	2	2	48	1580
CT-C-1A	14.1	120	0.45	18	20	15	1200×2200×2000	1	2	48	1580
CT-C-2	28.3	240	0.45×2	36	40	30	2300×2200×2000	2	4	96	1800
CT-C-2A	28.3	240	0.45×2	36	40	30	4460×1200×2290	4	4	96	1880
CT-C-3	42.4	360	0.45×3	54	80	45	3430×2200×2000	3	6	144	2100
CT-C-3A	42.4	360	0.45×3	54	80	45	2300×3200×2000	2	6	144	2210
CT-C-4	56.5	480	0.45×4	72	100	60	4460×2200×2290	4	8	192	2800

- Information above for standard drying oven with Steam radiator or electrical heater, drying temperature 50~140°C .
- Power above for axial flow fan (Default hot-air circulating fan). Centrifugal fan for optional.
- Outer cover of the oven made of carbon steel or stainless steel. Inner shell aluminum alloy or stainless steel.
- Tray without holes or with holes for optional. Dehumidify fan for optional.
- Model including A is special trolley layout for the site with floor area limits.





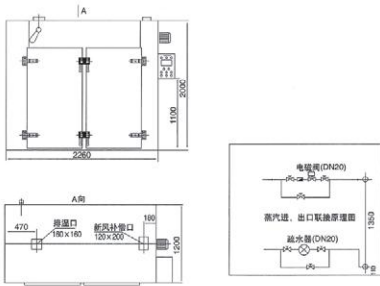
ISO9001:2008



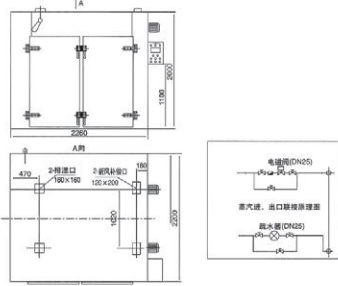
CT / CT-C Series Hot Air Circulation Oven Dryer

Structure Drawing for Oven Dryer

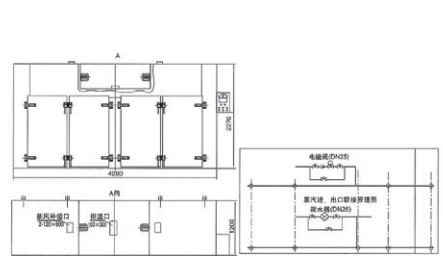
CT-C- I



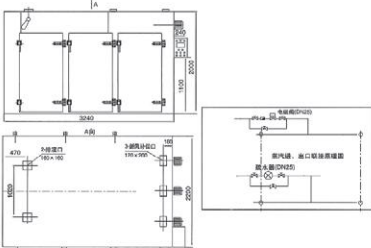
CT-C- II



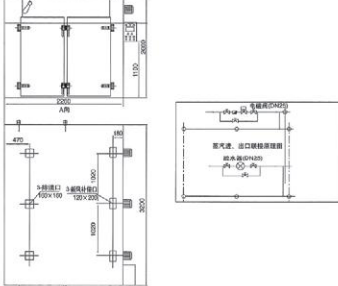
CT-C- II A



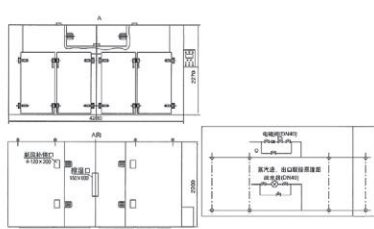
CT-C- III



CT-C- III A



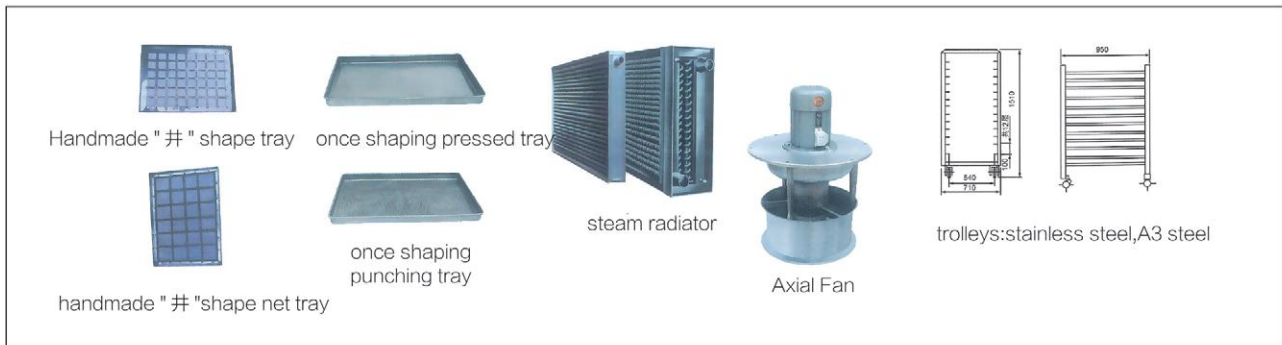
CT-C- IV



Main technical parameters and relevant explanation

- 1.The heat source can be steam, electricity, heat-conducting oil or steam + electricity.
 - 2.Temperature of operation: 50-140°C for steam. Maximum temperature will be 150°C .
 - 3.50-350°C for electricity or heat-conducting oil.
- Automatic and computer control systems for customer selection.
- 4.The normal pressure of steam will be 0.2-0.8 MPa(2-8kg/cm2).
 - 5.If have special requirement, please indicate it in order.
 - 6.The price of non-standard oven shall be discussed additionally.
 - 7.Standard drying tray: 640LX460WX45H(mm). 8.Standard trolley:950LX710X1510,12 layers,2 pc of trays for each layer.
- For other kind of trays or trolleys,to be discussed.

Optional parts



Add:Jiaoxi, Changzhou, Jiangsu,China.
Tel:+86 519 8898521 Fax:+86 519 88908383
<http://www.ymdrying.com> info@ymdrying.com



YZG Round and FZG Square Vacuum Dryer

ISO9001:2008



Description

Vacuum dry is to let the raw material to be dried at vacuum condition heating and drying. It uses vacuum pump to damp and make the working chamber form vacuum status. Therefore the dry speed of raw material is quickened and the energy is saved greatly.

Vacuum dry is divided into static and dynamic drier. Model FZG round vacuum drier or Model YZG square vacuum drier belongs to static drier. Model SZG double cone rotating vacuum drier belongs to dynamic drier. When raw material is dried in static drier, raw material is in static state and its shape can not be destroyed. Before drying, it can carry out the treatment of disinfection. When raw material is dried in dynamic drier, raw material is turned over ceaselessly. So it can be dried better and more uniformly.

In the state of vacuum, the boiling point of raw material will be dropped. Therefore it is suitable for drying raw material that is unstable or thermal sensitive. The vacuum drier is very airtight. So it is also suitable for drying raw material that contains strong irritative and toxic gases and the solvent needs to recovery.



Application

It is suitable for drying heat sensitive raw material of pharmaceutical industry, chemical industry, foodstuff industry, chemical industry, Chinese traditional medicine industry, etc.

Features

- 1.Higher drying speed at lower temperature and the heat energy can be used fully.
- 2.Dry at low temperature or drying of heat sensitive raw material.
- 3.Dry raw materials that contain solvent and the solvent needs to recover.
- 4.Before drying, it can carry out disinfectant treatment. during drying, any impurity can not enter in it.
- 5.The dryer belongs to static vacuum one, the shape and volume of raw materials can not be damaged.



Patent of utility model



Add:Jiaoxi, Changzhou, Jiangsu,China.

Tel:+86 519 8898521 Fax:+86 519 88908383

http://www.ymdrying.com info@ymdrying.com



ISO9001:2008



YZG Round and FZG Square Vacuum Dryer

Instruction to Ordering

1. When order, please choose suitable vacuum drier in accordance with the physical property. When order, please choose suitable vacuum drier in accordance with the physical property, primary moisture and final moisture of raw material to be dried and factors such as temperature, vacuum, drying amount and time and so on. Vacuum drier with same model has four heating ways, i.e. steam, hot water, heat conduction oil and electric heat. For example, in order to increase the output of product, the drying layer can be increased suitably. Please tell our factory in time.
2. The auxiliary parts of vacuum drying system indicated in User' s Manual can be supplied and installed by our factory. Please indicate them when order. If having special requirements, our factory can also design, manufacture and install as request.
3. For the equipment, our factory will carry out guarantee of repair, replacement and refund of substandard products. All subassembly can be supplied in a long time. Please put your mind at rest.



Technical Parameters

Model	YZG-600	YZG-800	YZG-1000	YZG-1400	FZG-10	FZG-15	FZG-20
Size of baking tray (mm)	310 × 600 × 45	520 × 410 × 45	520 × 410 × 45	460 × 640 × 45	460 × 640 × 45	460 × 640 × 45	460 × 640 × 45
Quantity of baking trays	4	4	12	32	20	32	48
Work pressure inside the pipe of baking support (MPa)	≤ 0.784	≤ 0.784	≤ 0.784	≤ 0.784	≤ 0.784	≤ 0.784	≤ 0.784
operation temperature of baking support (°C)	35-150	35-150	35-150	35-150	35-150	35-150	35-150
vacuum degree inside the chamber when operation idle(MPa)	-0.1	-0.1	-0.1	-0.1	-0.1	-0.1	-0.1
Under -0.1Mpa and 110°C ,water evaporation rate (kg/m2 · hr)	7.2	7.2	7.2	7.2	7.2	7.2	7.2
vacuum pump with condenser pump	2X-15A -2KW	2X-30A-3KW	2X-30A-3KW	2X-70A-5.5KW	2X-70A-5.5KW	2X-70A-5.5KW	2X-90A-7.5KW
vacuum pump without condenser	SZ-0.5-1.5kW	SZ-1-2.2KW	SZ-1-2.2KW	SZ-2-4KW	SZ-2-4KW	SZ-2-4KW	SZ-2-5.5KW
Weight of drying chamber (kg)	250	600	800	1400	1400	2100	3200
Inter size of chamber (mm)	φ 600 × 976	φ 800 × 1247	φ 1000 × 1527	φ 1400 × 2054	1500 × 1060 × 1220	1500 × 1400 × 1220	1500 × 1800 × 1220
Outer size of chamber(mm)	1135 × 810 × 102	1700 × 1045 × 1335	1693 × 1190 × 150	2386 × 1675 × 1920	1924 × 1720 × 1513	1513 × 1924 × 2060	1924 × 2500 × 1513

SZ water ring vacuum pump can be used together with mechanical pressure increasing pump in order to increase vacuum.

Add:Jiaoxi, Changzhou, Jiangsu,China.
Tel:+86 519 8898521 Fax:+86 519 88908383
http://www.ymdrying.com info@ymdrying.com



MZG Series Pulsating Vacuum Dryer

ISO9001:2008



Application

This equipment is suitable for drying most types of materials, such as traditional Chinese medicine extracts, Chinese medicinal materials, active pharmaceutical ingredient (API) powders, and heat-sensitive materials. It is particularly suitable for drying traditional Chinese medicine extracts. It can be widely used in industries such as pharmaceuticals, chemicals, food, and electronics.

Features

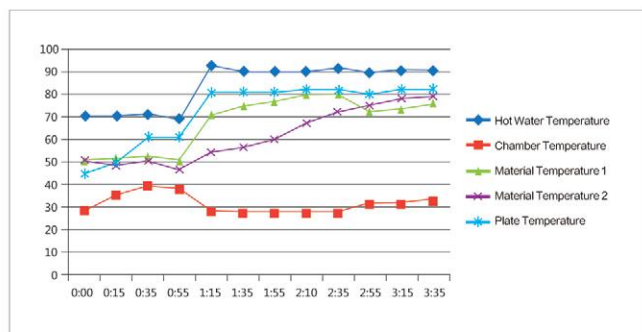
- 1.The chamber and plates are simultaneously heated by hot water, resulting in high drying efficiency, uniform heating, and no gelatinization (advantage of plate design).
- 2.Laminar vacuum design promotes rapid moisture discharge and improves drying efficiency.
- 3.The new pulse vacuum dryer significantly reduces loading and unloading time, lowering labor intensity and costs.
- 4.Vacuum level is controllable and adjustable, with rapid bubble breaking, fast moisture evaporation, and no overflow or material loss (advantage of bubble breaking).
- 5.Can be designed as fully CIP (clean-in-place) with internal rounded corners and no dead zones.
- 6.Material temperature is controllable, adjustable, and can be displayed online, reducing material loss (temperature control).
- 7.The automatic control system offers selectable drying modes (high-speed, standard, low-speed) to accommodate various material drying requirements (control system).
- 8.Features a one-key operation mode to ensure repeatability of the drying process, and includes a printing function to facilitate internal process management and equipment validation (control system).

Note: Options 7 and 8 can be selected based on user process requirements.

Model Description

The equipment model is MZG
m² Series Pulse Vacuum Drying Unit
Square (F) / Round (Y)
Fully Automatic Pulse Vacuum Dryer

Material Temperature Curve for Traditional Chinese Medicine Extract Drying



Working Principle

This equipment utilizes the principle that the vaporization temperature of water decreases under vacuum conditions. Therefore, it features low-temperature, fast, and clean drying. The vaporization rate of liquid increases as the atmospheric pressure decreases, thereby greatly improving the drying efficiency of water.

This equipment was developed to address the problems existing in traditional vacuum drying ovens, such as uneven contact with the heating surface, carbonization at the contact points, and surface crusting. It significantly increases the heating area of the equipment, enhances the discharge rate of water vapor, and improves the vacuum level during operation.

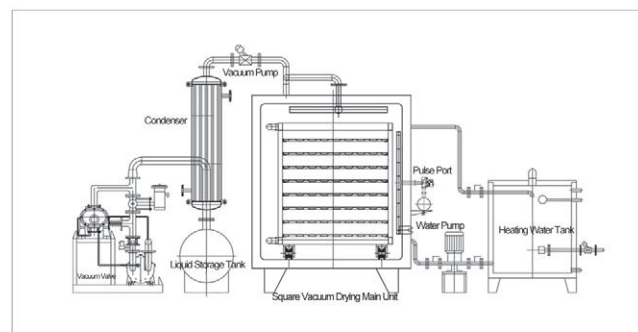
Main Configuration Description

- 1.Plate heating for uniform heat distribution.
- 2.Optional heat sources: steam, hot water, or others; standard configuration includes hot water / superheated water system.
- 3.Closed-loop high vacuum pump set with vacuum system condenser to improve system vacuum level and save water.
- 4.Laminar flow pulse bubble breaking system and laminar flow vacuum system to increase moisture discharge rate.
- 5.Material temperature control for easy process management.
- 6.PLC touch screen control system with one-key operation, ensuring good reproducibility of the material drying process.
- 7.Optional multi-channel recorder (paper or paperless) to facilitate production record filling.
- 8.Optional video recording system for convenient material observation.
- 9.Optional CIP system.
- 10.Optional automatic door system.

Note: Options 6 to 10 can be selected based on user process requirements.



Equipment System Diagram



Add:Jiaoxi, Changzhou, Jiangsu,China.
Tel:+86 519 8898521 Fax:+86 519 88908383
<http://www.ymdrying.com> info@ymdrying.com



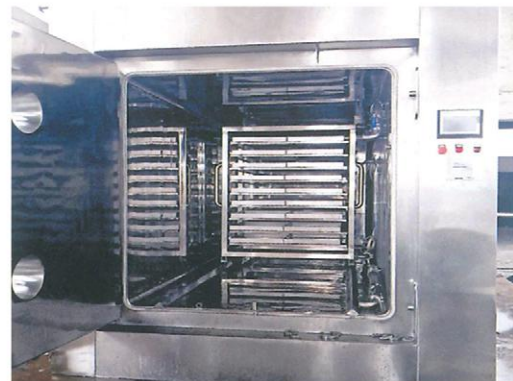
ISO9001:2008



MZG Series Pulsating Vacuum Dryer

Pulse Vacuum Dryer Technical Specifications

Model	MZG-10	MZG-15	MZG-20	MZG-30	MZG-30
Heating Plate Area (m ²)	10	15	20	30	30
Number of rack layers (layer)	8	8	8x2	12	8x2
Layer spacing (mm)	140	140	140	140	140
Number of trays (pcs)	32	48	64	96	96
Dryer dimensions (L x W x H mm)	2270x2200x2300	2650x2200x2350	3200x2200x2300	2800x2200x2850	4100x2200x2300
Tray dimensions (mm)	620x440x50				
Plate pressure resistance (MPa)	≤0.3Mpa				
Rack operating temperature (°C)	40-120°C				
No-load vacuum level in chamber (MPa)	-0.1				
Water vaporization rate at 95°C heating	0.3-0.9kg/m ² h				
Heating method	Steam (√)、Hot water (√)				
Condenser area (m ²)	5	6	9	12	12
Vacuum pump model、 power	JZJS-70.111 9.9KW	JZJS-150.131 14KW	JZJS-300.161 19KW	JZJS-600.151 24KW	JZJS-600.151 24KW



Add: Jiaoxi, Changzhou, Jiangsu, China.
 Tel: +86 519 8898521 Fax: +86 519 88908383
<http://www.ymdrying.com> info@ymdrying.com



SZG Series Double Cone Rotary Vacuum Dryer

ISO9001:2008



Principle of Working

Model SZG double cone rotating vacuum drier has double cone rotating tank. Under the state of vacuum inside the tank, pass steam or hot water into its jacket for heating. The hot amount can contact with the damp raw material through its inner wall. The vaporized steam when the damp raw material absorbed heat can be pumped out through vacuum exhaust pipe. Because its inner of tank is in the state of vacuum and the raw material is turned over all the time caused by the rotating of tank, the dry speed of raw material is quickened and dry efficiency is raised too and the purpose of uniform dry can be raised.

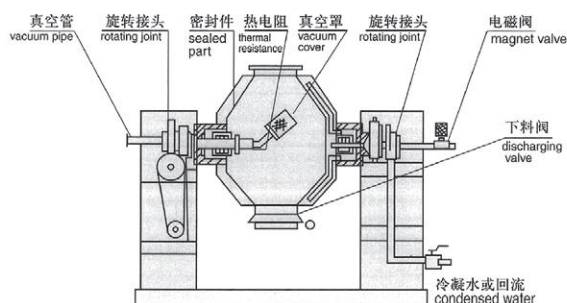
Features

Mixing and drying at the same time. Compensator equipped for optional is used for solvent recover. Advanced in design, simple in inner structure, easy for clean, able to discharge all raw material, convenient in operation, lowering labor intensity and improving work environment. Meanwhile raw material is rotating accompanying with the rotating of container, the wall of container cannot accumulate raw material. Therefore its coefficient of thermal transmission is high and quick drying speed. Saving energy source. Uniformly drying and finished product with good quantity Widely used for materials drying in pharmaceutical industry, chemical industry, foodstuff industry, dyestuff industry and so on. It is in conformity with the requirements of "GMP". Since the container runs continuously, the heating surface of the matter is always changed; There is no any pollution because of indirect heating. Thermal efficiency is high, over two times higher than that of normal drying over



Patent of utility model

Structure drawing



Scope of application

This equipment is mainly used for drying following matters in medicine, chemical and food industries:
 Matters which cannot resist high temperature;
 Matters which are easily oxidized;
 Matters with crystals which should not be retrieved;
 Matters with the residual volatile material which should be destroyed;
 Matters with the discharged steam in drying which should be retrieved;
 Strong irritant and poisonous matters





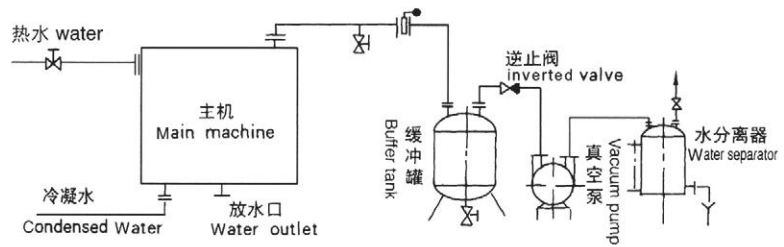
ISO9001:2008



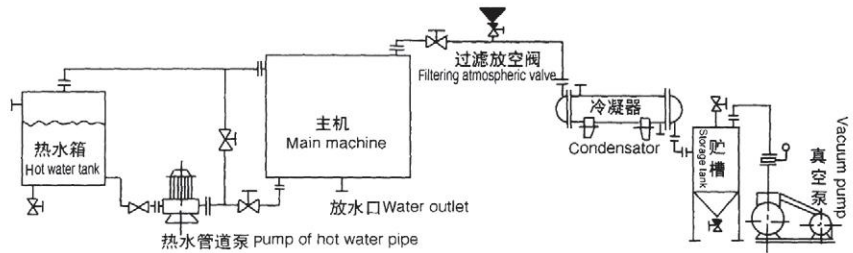
SZG Series Double Cone Rotary Vacuum Dryer

常州市益民干燥设备有限公司

flow chart for hot water heater, -
no solvent recovery



flow chart for hot water heater,
with solvent recovery.



Technical Parameters

Model	SZG100	SZG350	SZG500	SZG750	SZG1000	SZG1500	SZG2000	SZG3500	SZG5000
Volume (litre)	100L	350L	500L	750	1000L	1500L	2000L	3500	5000
Charging volume (L)	50	175	250	375	500	750	1000	1750	2500
Loading weight(kg)	40	120	200	300	400	600	800	1000	1800
Heating area(m ²)	1.16	1.5	2	2.63	3.5	4.61	5.58	7.5	13.8
Rotating speed(rpm)	3~13								
Motor power	0.75	1.1	1.5	2.2	3	4	5.5	7.5	15
Rotating height	1750	2100	2250	2490	2800	2940	2990	3490	4200
Design pressure insider the tank:	---0.1~0.15Mpa								
Design pressure inside the jacket:	≤ 0.3Mpr								
Total weight (Kg)	650	900	1200	1450	1970	2280	2500	2700	2900

Notes :

1. The above-mentioned parameters are calculated based on material density 0.6g./cm³.if for reference only.
2. For raw material, if its volume has great change before and after dry, then its filling coefficient may be increased or decreased suitably.
3. Speed adjusting motor of 0~6rpm for optional according to user' s requirement. The following aspects should be point when order If certificate for pressure vessel is requirement, please point out. if glass lining for interior surface is requirement, please point out. If the material is explosive, or flammable, the calculation should be made according to trial result.1. If material has larger specific weight, it shall be noted upon placing the order.

Instructions to ordering

1. Its heating has three ways I.e. steam, hot water, heat conduction oil;
2. When order, please indicate the temperature of raw material to be undertaken or the operation temperature of drier in order to choose or provide suitable heat source for you.
3. When dry viscous raw material, our factory will design special stirring device in the chamber.
4. The auxiliary parts of vacuum drying system can be supplied and installed by our factory.Please indicate them when order;
- 5.If having special requirements, our factory can also design, manufacture and install as request;
- 6.The cost of complete equipment should be increased in accordance with the needs.

Add:Jiaoxi, Changzhou, Jiangsu,China.
Tel:+86 519 8898521 Fax:+86 519 88908383
http://www.ymdrying.com info@ymdrying.com



DZG Series Single Cone Vacuum Dryer

ISO9001:2008



Specifications

- (1).Cone-Shape Mixing Dryer
- (2).The structure is simple, easy to clean
- (3).Convenient in discharging, conforms to the GMP

Features

1. Mixing and drying complete in one vessel, improve productive efficiency.
2. Being adapted jacket for heating, decrease energy consumption.
3. Being adapted vacuum drying, could keep heat and mass transfer, especially suit for thermal sensitive material.
4. The structure is simple, easy to clean, convenient in discharging, conforms to the GMP standard.
5. Provides many kinds of agitation form match, may carry on the mass production.
6. It could carry on cooling, sterilization operation



Working Principle

The single cone vacuum dryer utilizes a conical helical ribbon agitator. While the entire helical ribbon agitator rotates on its own axis, the ribbon continuously lifts, turns, and scrapes down the material, ensuring uniform mixing and even heating of the material inside the vessel. The evaporated solvent and water vapor pass through a filter for dust removal, and are then condensed and recovered by the vacuum system before being discharged.



Technical Parameter

Type/specification	100	200	500	1000	1500	2000	3000
Volume(L)	100	200	500	1000	1500	2000	3000
Max work volume(L)	70	140	350	700	1000	1400	2100
Max. inner diameter (Ømm)	620	800	1100	1350	1550	1700	1950
Stirring motor power(kw)	1.5	2.2	4	5.5	7.5	15	18.5~22
Water evaporation(kg/h)	4~7	5~9	9~15	16~25	20~35	25~45	35~60
Overall dimension	1200X800X2100	1300X950X2600	1600X1200X3400	2000X1500X4850	2200X1800X5500	2500X2000X6250	3000X2800X6800





ISO9001:2008



ZB Series Harrow Vacuum Dryer

Features

Being adapted the big area heating way, its heat conducting area large and its heat efficiency is high. Being installed stirring in the machine, it makes raw material in cylinder form the state of continuous circle inside the cylinder, so the uniformity to be heated of raw material is raised greatly. Being installed stirring in the machine, pulpiness, paste raw materials can be dried easy

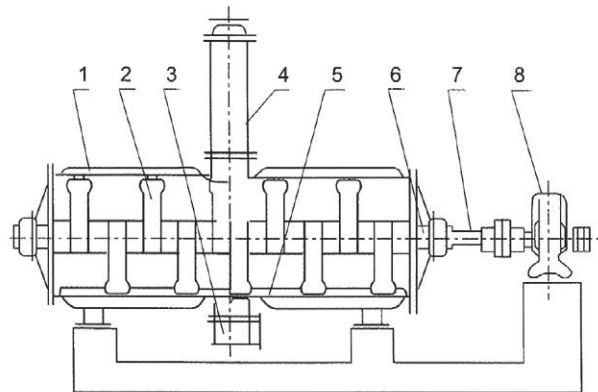
Working Principle

It is an innovation horizontal batch-type vacuum dryer, The moisture of wet material will be evaporated by heat transmission. The stirrer with squeegee will remove material on hot surface and move in the container to form cycle flow. The evaporated moisture will be pumped out by vacuum pump.



Application

The following raw materials from pharmaceutical industry, foodstuff industry, chemical industry and so on can be dried. Suitable for pulpiness, paste-like mixture or powder raw materials. Thermal sensitive raw materials having the requirement to dry at lower temperature. Raw materials that are easy to oxidize or explode and have strong irritative or toxic. Raw materials that need to recover solvent.



Technical Parameters

Item	ZB-500	ZB-750	ZB-1000	ZB-1500	ZB-2000	ZB-3000	ZB-5000
Working volume(L)	300	450	600	900	1200	1800	3000
inner cylinder size	φ600 x 1500	φ800 x 1500	φ800 x 2000	φ1000 x 2000	φ1000 x 2600	φ1200 x 2600	φ1400 x 3400
Power	4	5.5	5.5	7.5	11	18.5	22
Stirring speed	5~25		5~12			5	
pressure of jacket	≤ 0.3						
Inner Pressure	-0.09~-0.096						

Note: The evaporated amount of water its related to the characteristics of raw materials and the drying temperature .Data above only for reference. we have the right to change but not notice, pardon!

Add:Jiaoxi, Changzhou, Jiangsu,China.

Tel:+86 519 8898521 Fax:+86 519 88908383

http://www.ymdrying.com info@ymdrying.com



FG Series Vertical Type Fluid Bed Dryer

ISO9001:2008

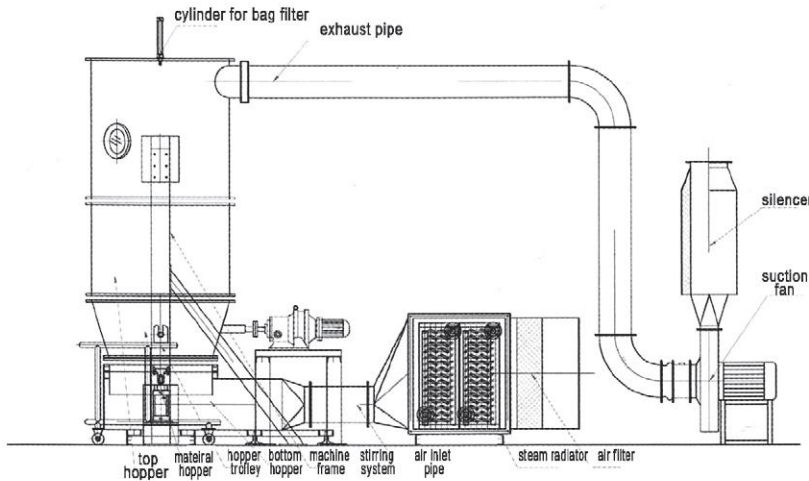


Application

This machine is mainly used for drying of powder or granules in pharmaceutical, foodstuff, chemical industries and so on.

Features

- Fluidizing drying, quick heat transfer.
- Operation in hermetic closure and negative pressure, no dust nuisance
- No dead corner, easy to clean, no cross contamination. Mixing blade or negative pressure feeding system for optional to meet some special requirements.
- Use antistatic filter material, processing is safe.
- Compares to GFG type, it has bigger fluidizing space.



Technical Parameters

Item	unit	Model								
		5	30	60	120	150	200	300	500	
container	volume	liter	22	100	220	420	550	670	1000	1500
	diameter	mm	400	700	1000	1200	1300	1400	1600	1800
capability	min	kg/batch	4	15	30	80	90	100	150	250
	max	Kg/batch	6	45	90	160	240	300	450	750
fan power		kw	4	7.5	11	18.5	22	22	30	45
steam consumption		kg/h	23	70	141	211	242	282	366	451
Compressed-air consumption		m ³ /min	0.3	0.3	0.6	0.6	0.7	0.9	1.1	1.6
temperature		°C	adjustable at the range from room temperature to 120°C							
working time		min	decided in accordance with the properties of raw materials							
collect rate		%	≥99							
noise		dB(A)	<75							
Height of main machine		mm	2300	2500	3000	3300	3500	3800	4000	4400

All data for reference only. According to the material features, we have the right to change but not notice, pardon!



Add: Jiaoxi, Changzhou, Jiangsu, China.
 Tel: +86 519 8898521 Fax: +86 519 88908383
<http://www.ymdrying.com> info@ymdrying.com



ISO9001:2008



GFG Series Batch Type Fluid Bed Dryer

Application

1. Use screw to extrude and vibrate granule and granulate granule with the method of humidity, high speed and mixing;
2. Suitable for drying humidity block or powder raw materials in fields such as pharmaceutical, foodstuff, feed stuff, chemical industries and so on.
3. The raw material that large in granule and small in block and having adhesive property;
4. Suitable for raw materials, its volume will be changed when dry, such as giant arum, polyacrylamide, etc.

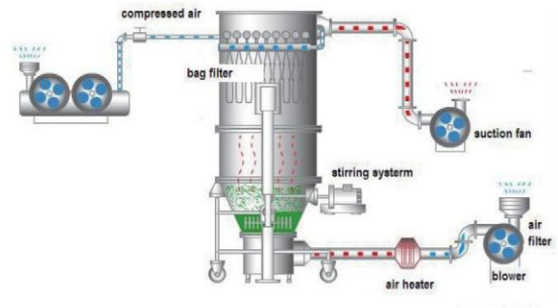


Principle of working

After being purified and heated, air is introduced from the bottom of induced-draft fan and passed through the screen plate of batch hopper. In drying chamber, the state of fluidization is formed through stirring and the effect of negative pressure. The moisture is evaporated and removed rapidly and the raw material is dried quickly.

Features

1. This fluid-bed is round structure. So it avoid died corner.
2. In the bed there is stirrer. It avoid agglomeration of damp material and forming channel flow during drying.
3. The bag filter at top is made from anti-static special fiber. The operation is safe.
4. Discharged by turning over. It is quick, and fully.
5. Operated at sealed negative pressure and designed by GMP
6. The machine can also be designed to feeding and discharge automatically in accordance with requirements.
7. Quick drying speed, uniform temperature. In general, the drying time each batch is about 20 ~ 30 minutes.



Technical Parameters

Item	Unit	Specification								
Feeding capacity	kg / batch	60	100	120	150	200	300	500	≥ 800	
Power of fan	kw	11	15	18.5	22	22	30	37	By URS	
Stirring power	kw	0.55	1.1	1.1	1.1	1.1	1.1	1.5		
Stirring speed	rpm	11								
consumption of steam	kg/h	141	170	170	240	282	366	451		
working time	min	15-40(Decided according to raw material)								
Height of main machine	Square	mm	2750	2850	2850	2900	3100	3300		3650
	Round	mm	2700	2900	2900	2900	3100	3600	3850	

All datas are for reference only. According to the features of material, our factory has the right change but not notice, pardon!



BLGZ Series Closed-loop Circuit Fluid Bed Dryer

ISO9001:2008



Applications

Mainly used for solvent recover and drying of material with solvent.
For drying of material with solvent from Sway Granulator and high-speed mixing granulator.
For drying of wet granules and powder granules with solvent in food stuff, chemical industry, pharmaceutical industry and so on.
For drying of large granules, small blocks and Low-viscosity material.

Working principle

Take nitrogen as medium for heat transfer, to realize solvent recovery and drying of material with solvent, with features of safety, high efficiency, Low energy consumption and so on. Air under the circulation function of fan(both blower fan and suction fan),after heated by steam radiator and filtrated by HEPA filter, entry into fluid bed dryer to dry the material. At the meantime, under the continuous stirring of stirring system inside the dryer, hot air and raw Material exchange their heat fully. After solvent (alcohol, acetone, methanol and so on) steamed out, fine powder together with circulating gas come out, fine powder caught by nitrogen blowback system. Waste-heat air after filtrated by filter entry into compensator, solvent is cooled to dew point and separated from air, so solvent recycled. Separated air is fed into air heater by fan, go round and begin again like this..Until all solvent is steamed out, separate and recovered. After drying, products are discharged from the bottom of the dryer, net plate for material is flexible reverse turning bed and controlled by cylinder. After all products discharged, fan can clean the air filter inside the dryer.



Advantages and features

1.High efficiency. This machine is fully enclosed structure, no dead corner, both air exhaust system and air in system takes high-temperature and high-efficiency filter. The whole system has 3 levels of dust catcher, with high-efficiency dust catcher, easy to discharge and clean. After drying finished, because of blowback system, dust elimination is more thoroughgoing, reducing cleaning frequency, which can reduce labor intensity and avoid pollution of different products, Low viscosity, meeting GMP standards.

This machine can work continuously and steady in a long term, high degree of automation. It not only can dry, cool solvent, but also can cool raw material, drying efficiency is higher than other dryer, 4 to 5 times drying speed. And, the finished products have good quantity, which can create bigger product value for the user.

According to the user's requirement, vacuum feeder, vacuum discharger for optional, to enhance automatization degree.

2. Safety. Because of flammable and combustible dangerous of organic solvent, this machine take Safety technologys including on-line Oxygen checking, explosion-proof, Explosion venting and so on. Through intelligitized control technology, to monitor Oxygen residues/Pressure balance in the system and automatic modulation control. When air(oxygen) content exceed 0.5%(v/v),oxygen checking device open the Replenishing valve to supply fresh nitrogen by control system, to recovery the oxygen residues to a safety value(closed-circuit system is designed into positive pressure,oxygen entry into circulation system by material feeding).When air pressure inside the system exceed setted value(air pressure balance is setted into 0.02mpa),explosion venting device will automatically open decompression Pneumatic valve to exhaust some air by intelligitized control .The explosion-proof and explosion venting system is another safety technology of this machine, that is when certain electrical equipment or key device damaged, the system is out of normal working and air pressure up to safety ultimate value($\leq 0.05\text{Mpa}$),explosion-proof and explosion venting system will be automatically opened, power cutted off and pipe valve closed, there is no probability of solvent reacting with oxygen,which avoid fire damagesor explosion during machine working,to make sure safety production.

3. Saving energy. This machine is full closed system. Hot air through net board blow up the material. Hot air contact with material fully. The process of heat transfer is enhanced. At a Few air condition, a high air moisture can be got, so Only Micro positive pressure during working, needed air quantity is small. Fan power of this machine is smaller and less noise. At the meantime, Hot air with solvent after drying is separated by condensator. The recovered solvent can be reused. So saving energy and production cost. Also, Low dew point nitrogen is sent to air heater for cyclic utilization by fan. Compared with common dryer, thermal efficiency enhanced, power consumption reduced, so heat consumption and production cost saved.

4.Environmental protection. This machine recovery the solvent from raw material during drying process based on solving the problem hard drying and Heavy pollution. At the meantime, zero exhaust avoid environmental pollution because of waste gas.

http://www.CZ-YM.COM E-mail:1992@CZ-YM.COM



Add:Jiaoxi, Changzhou, Jiangsu,China.
Tel:+86 519 8898521 Fax:+86 519 88908383
<http://www.ymdrying.com> info@ymdrying.com



ISO9001:2008

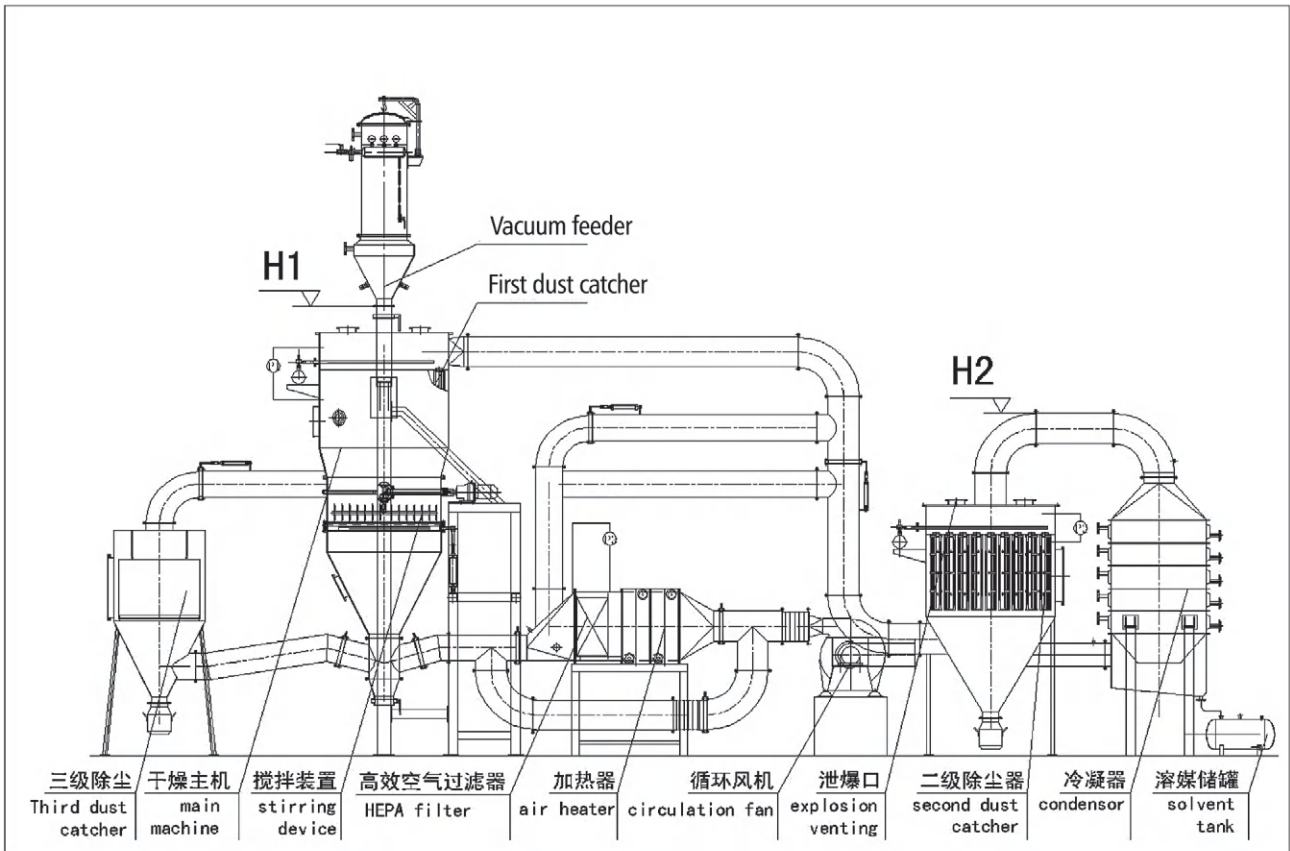


BLGZ Series Closed-loop Circuit Fluid Bed Dryer

Technical Parameters

Model			60	120	150	200	300	400	500
Item	Unit								
Container of raw material	Dia.	Mm	Φ900	Φ1000	Φ1100	Φ1400	Φ1600	Φ1800	Φ2000
	Min	kg/batch	40	70	90	120	150	255	355
Production capacity	Max	kg/batch	65	135	170	250	355	480	580
	Steam consumption	kg/batch	130	210	240	280	360	500	600
Nitrogen consumption	m3/min		0.6	0.6	0.9	0.9	1.1	1.6	2.0
Power of fan	kw		11	18.5	22	30	37	45	55
Solvent recovery percentage	%		≥ 95						
Temperature	℃		room temperature to 140℃ ,Adjustable according to material features						
Product ratio	%		>99						
Final moisture	%		~0.2						
Noise	db(A)		≤ 75						
Overall dimensions (LxW)	mm		6852X3740	7266X3803	7340X3910	7550X4330	8420X4620	9870X5520	10600X5600
Height	H1	mm	4800	5500	5750	5750	6540	6540	6600
	H2	mm	4000	4100	4200	4420	4620	4700	5050

Flow chart drawing



Add: Jiaoxi, Changzhou, Jiangsu, China.
 Tel: +86 519 8898521 Fax: +86 519 88908383
<http://www.ymdrying.com> info@ymdrying.com



XF series Box Shape Continuous Fluid Bed Dryer

ISO9001:2008

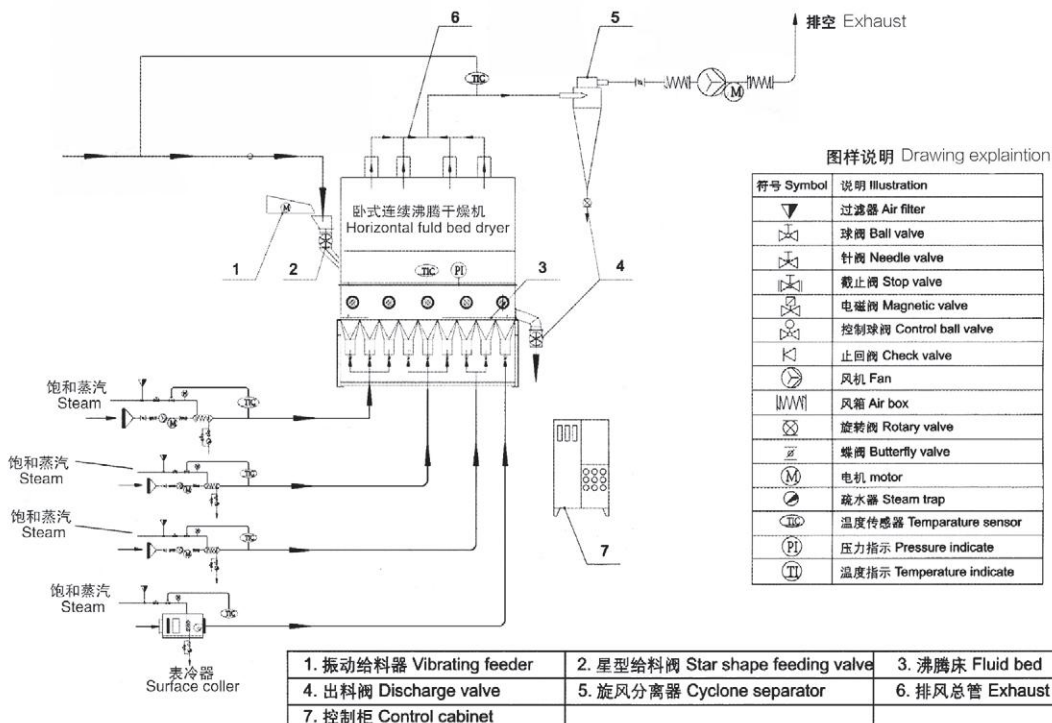


Description

It consists of air filter, heater, fluidized-bed main machine, feeder, cyclone separator, bag filter, high-pressure centrifuge fan and operation platform. Because the properties of raw materials different, when equip the dust removing equipment, we should consider practical needs. We can select cyclone separator and cloth bag duster at the same time or one of them. generally speaking, select cyclone separator only for raw material that is large in specific gravity but cloth bag filter for powder or small granules that is light in specific gravity. Meanwhile air feeding device and belt conveyor for selection.

Application

Through continuously improvement over 30 years, it has widely applied in the field of pharmaceutical, chemicals, foodstuff, processing grain etc. For example, the dehumidification and drying of and granular materials such as bulk pharmaceuticals, granular patent medicines, preparations, feed, plastic resin etc. The granular diameter shall be within the range from 0.1to 6mm and the best is 0.5 to 3mm





ISO9001:2008



XF series Box Shape Continuous Fluid Bed Dryer

Working principle

Clean & hot air enters into fluidization bed through distribution of valve plate. Wet material fed from feeder will be formed a fluidization state by hot air (jumping with the bed like boiling water), so it is called fluidizing dryer. Because of the wide contact between hot air and materials, the drying time is very short. Air enters from one end of bed, through "boiling" several minutes, and then comes out automatically from the other end. The dryer is also applicable for thermal sensitive material as a result of very short drying time and low temperature of material proper.

Installation explanation

Fluidizing bed, cyclone separator and bag filter should be placed on the flat concrete ground, and no foundation screws needed. The fan with under frame and foundation screws may be installed indoor or outdoor. The plan can be adjusted slightly in accordance with the practical conditions.

No air should leak in air pipe system to be free from the influence on drying efficiency.

Technical Parameters

Model	XF0.25-2 (XF20)	XF0.25-3 (XF30)	XF0.25-6	XF0.3-2	XF0.3-4	XF0.3-6	XF0.3-8	XF0.3-10	XF0.4-4	XF0.4-6
Area of bed layer (m ²)	0.5	1.0	1.5	0.6	1.2	1.8	2.4	3.0	1.6	2.4
Drying capacity (kgh2o/h)	20-25	30-45	52-75	-30	42-60	63-90	84-120	105-150	56-80	84-120
Power of fan (kw)	7.5	15	22	7.5	15	22	30	30	30	37
Temperature of air (°C)	120-140	120-140	120-140	120-140	120-140	120-140	120-140	120-140	120-140	120-140
Tem. of raw material (°C)	40-60	40-60	40-60	40-60	40-60	40-60	40-60	40-60	40-60	40-60
Overall dimensions (main frame)L×W×H (m)	2×0.6×3.35	4×0.6×3.35	6×0.6×3.35	2×0.70×3.4	4×0.7×3.4	6×0.7×3.4	8×0.7×3.4	10×0.7×3.4	4×1×3.58	6×1×3.58
Occupied area (m ²)	25	35	40	25	38	45	56	70	18	56

Model	XF0.5-4 (XF50)	XF0.5-6	XF0.5-8	XF0.5-10	XF0.5-12	XF0.5-14	XF0.5-16	XF0.5-18
Area of bed layer (m ²)	2.0	3.0	4.0	5.0	6.0	7.0	8.0	9.0
Drying capacity (kgh2o/h)	70-100	105-150	140-200	175-250	210-300	245-350	280-400	315-450
Power of fan (kw)	30	44	60	90	111	148	169	197
Temperature of air (°C)	120-140	120-140	120-140	120-140	120-140	120-140	120-140	120-140
Tem. of raw material (°C)	40-60	40-60	40-60	40-60	40-60	40-60	40-60	40-60
Overall dimensions (main frame)L×W×H (m)	4×1.2×4.1	6×1.2×4.1	8×1.2×4.1	10×1.2×4.1	12×1.2×4.1	12×1.2×4.1	16×1.2×4.1	18×1.2×4.1
Occupied area (m ²)	50	70	82	100	140	180	225	268

NOTE: The drying capacity is measured on the basis of the primary and final moisture contents of 20% and 5% respectively of drying plum crystal and air intake temperature at 130 °C. Drying capacity for other material will be based on the practical drying condition.

Add: Jiaoxi, Changzhou, Jiangsu, China.

Tel: +86 519 8898521 Fax: +86 519 88908383

<http://www.ymdrying.com> info@ymdrying.com

ZLG Series Vibration Fluid Bed Dryer

ISO9001:2008



Principle of work

Raw material is fed into the machine from the inlet and moves forward continuously along with the level of fluidized-bed under the action of vibration. The hot air passes through fluidized-bed and carries out hot heat exchange with damp raw material. Then the damp air is exhausted out through cyclone separator and duster and the dry raw material is discharged through discharge outlet.

Application

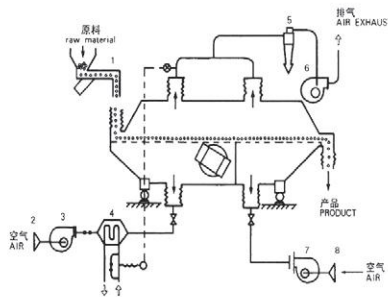
1. Pharmaceutical and chemical industries: all kinds of press tablet and granule, boric acid, borax, dihydroxybenzene, malic acid, maleic acid and so on.
2. Foodstuff and construction material industries: less, mono sodium glutamate, edible sugar, edible salt, mine residue, bean, seeds and so on.
3. It can also used for raw materials to add up damp or cooling and so on.



Features

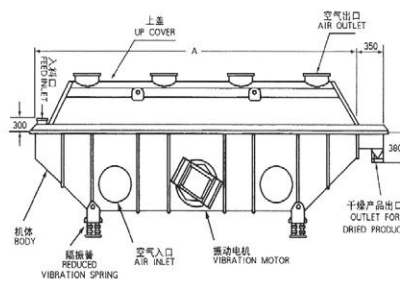
1. Evenly heating. Compared with ordinary drier, the energy can be saved about 30%.
2. The vibration is created by motor. It is stable in operation and convenient in maintenance, low noise and long life
3. The fluidized state is stable and no dead angle and phenomenon of broken out.
4. The layer thickness and moving speed and the amplitude are adjustable through continuous variable speed.
5. It is small for damaging the surface of raw material. for easy-broken materials.
6. No cross pollution between raw material and air because of fully closed structure. The environment clean.

flow chart for vibrating fluid bed dryer

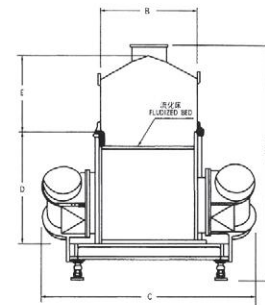


1. material feeder
2. air filter
3. air supply fan
4. steam radiator

structure drawing for vibrating fluid bed dryer



5. cyclone
6. suction fan



7. air cooling fan
8. air filter

Technical parameters

Model	Area of fluidized-bed (m2)	air inlet temperature (°C)	Air outlet Temperature (°C)	Vapor Capacity (kg/h)	Vibration motor	
					Model	Power(kw)
ZLG3×0.30	0.9	70-140	40-70	20-35	ZDS31-6	0.8×2
ZLG4.5×0.30	1.35	70-140	40-70	35-50	ZDS31-6	0.8×2
ZLG4.5×0.45	2.025	70-140	40-70	50-70	ZDS32-6	1.1×2
ZLG4.5×0.60	2.7	70-140	40-70	70-90	ZDS32-6	1.1×2
ZLG6×0.45	2.7	70-140	40-70	80-100	ZDS41-6	1.5×2
ZLG6×0.60	3.6	70-140	40-70	100-130	ZDS41-6	1.5×2
ZLG6×0.75	4.5	70-140	40-70	120-140	ZDS42-6	2.2×2
ZLG6×0.9	5.4	70-140	40-70	140-170	ZDS42-6	2.2×2
ZLG7.5×6.0	4.5	70-140	40-70	130-150	ZDS42-6	2.2×2
ZLG7.5×0.75	5.625	70-140	40-70	150-180	ZDS51-6	3.0×2
ZLG7.5×0.9	6.75	70-140	40-70	160-210	ZDS51-6	3.0×2
ZLG7.5×1.2	9	70-140	40-70	200-260	ZDS51-6	3.0×2



Add: Jiaoxi, Changzhou, Jiangsu, China.

Tel: +86 519 8898521 Fax: +86 519 88908383

http://www.ymdrying.com info@ymdrying.com



ISO9001:2008



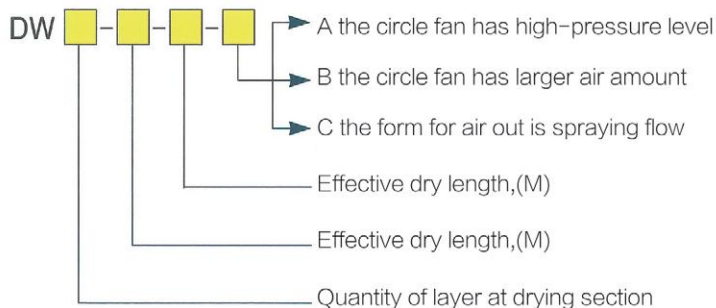
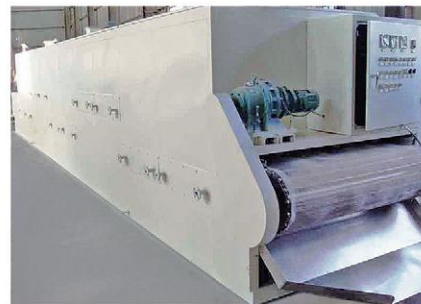
DW Series Belt Dryer

Descriptions

The raw material can be spread on the conveyor belt through suitable auxiliary mechanism such as distributor, vibrating belt, pulverizer or granulator. The conveyor passes one channel or several channels consisting of heating unit.. Each heating unit is equipped with air heating and circle system. Each channel has one or several damp exhaust system. When the conveyor passes it, hot air passes through raw material from up to low or from low to up. In this way, it makes raw material dry uniformly.

Applications

The belt drier is an usual continuous dryer. being widely used for chemical industry, foodstuff industry, pharmaceutical industry, construction material industry, electronics industry and so on. Particularly, it is suitable to dry the raw materials of sheet, strip or granule that are good in air permeability. For the paste substance of filter cakes, it is better to dry them first to make them become granule or strip through granulator.



Technical parameters

Model	DW-1.2-8B	DW-1.2-10B	DW-1.6-8B	DW-1.6-10B	DW-2-8B	DW-2-10B
Quantity of unit	4	5	4	5	4	5
Width of belt(m)	1.2		1.6		2	
Length of dry section (m)	8	10	8	10	8	10
Thickness of raw material spreading(mm)	10-80					
Operation temperature (°C)	50 ~ 140					
Steam pressure (Mpa)	0.2 ~ 0.8					
Steam consumption (kg/h)	120-300	150-375	150-375	170-470	180-500	225-600
Dry time (h)	0.2-1.2	0.25-1.5	0.2-1.2	0.25-1.5	0.2-1.2	0.25-1.5
Dry capacity (kg water/h)	60-160	80-220	75-220	95-250	100-260	120-300
Quantity of fan	5	6	5	6	5	6
Total equipped power inside (kw)	13.6	15.8	13.6	15.8	14.7	16.9
Total equipped power (kw)	11.4	13.6	11.4	13.6	19.7	23.7
Overall dimensions	A (m)	1.2	1.2	1.6	1.6	2.0
	A1 (m)	1.95	1.95	2.35	2.35	2.75
	B (m)	8.0	10.0	8.0	10.0	10.0
	B1	9.5	11.5	9.5	11.5	9.5

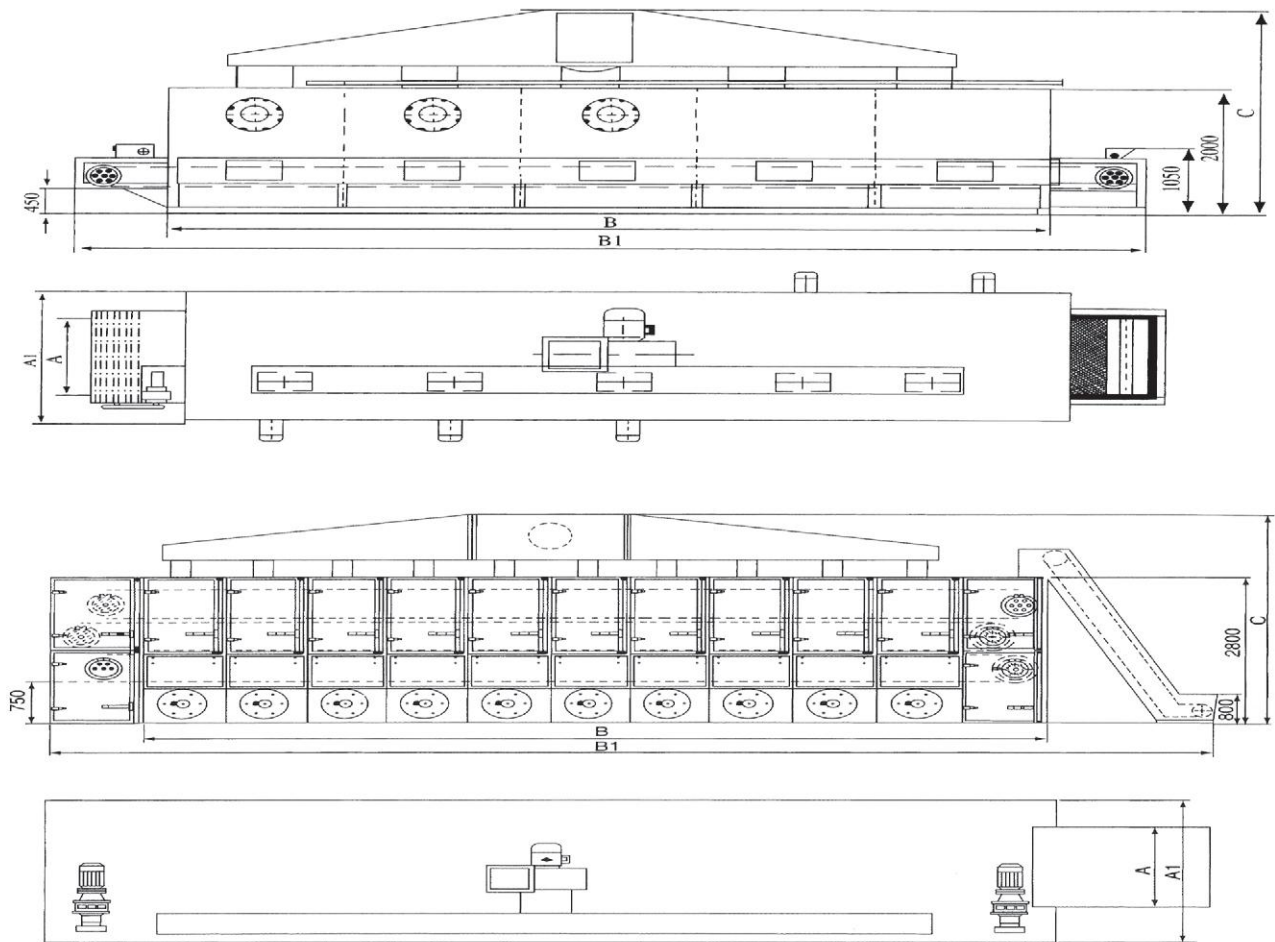
Note: The parameters above mentioned is for reference only. The dry strength is concerned with many factors such as properties of raw material, operation temperature

Add:Jiaoxi, Changzhou, Jiangsu,China.
 Tel:+86 519 8898521 Fax:+86 519 88908383
<http://www.ymdrying.com> info@ymdrying.com



DW Series Belt Dryer

ISO9001:2008



Technical parameters

Model	DW3-1.2-8B	DW3-1.2-10B	DW3-1.6-8B	DW3-1.6-10B	DW3-2-8B	DW3-2-10B
Quantity of unit	8	10	8	10	8	10
Width of belt(m)	1.2		1.6		2	
Length of dry section (m)	24	30	24	30	24	30
Thickness of raw material spreading(mm)	10-80					
Operation temperature (°C)	50 ~ 140					
Steam pressure (Mpa)	0.2 ~ 0.8					
Steam consumption (kg/h)	240-550	300-750	300-750	340-950	350-1000	400-1200
Dry time (h)	0.2-1.2	0.25-1.5	0.2-1.2	0.25-1.5	0.2-1.2	0.25-1.5
Dry Strength (kg .H2o/m2.h)	6-30					
Total equipped power (kw)	21.7	26.1	21.7	27.2	29.2	35.2
Overall dimensions	A (m)	1.2	1.2	1.6	1.6	2.0
	A1 (m)	2.1	2.1	2.8	2.8	3.2
	B (m)	8.0	10.0	8.0	10.0	8.0
	B1 (m)	12.5	14.5	12.5	14.5	12.5

Note: The parameters above mentioned is for reference only. The dry strength is concerned with many factors such as properties of raw material, operation temperature



Add: Jiaoxi, Changzhou, Jiangsu, China.

Tel: +86 519 8898521 Fax: +86 519 88908383

<http://www.ymdrying.com> info@ymdrying.com



ISO9001:2008



XSG Series Spin Flash Dryer

Descriptions

The revolving flash vaporization dryer is a new and high-efficiency drying equipment which is researched and developed for the sake of overcoming the low-efficiency and high energy-consuming of static drying. In its design, we have developed advantages and reduced shortcomings of common dryers, to realize the target of the consuming and high efficiency drying..

Principle of work

Hot air, from the bottom of drier, enters drying chamber with stirring and crushing device at a suitable atomizing speed. It exerts strong shearing, blowing, floating and rotating effect to raw material. Therefore raw material is granulated through centrifuge, shearing, impacting and friction effect. It strengthens the process of heat exchange. At the bottom of drier, the large and damp granules are crushed under the action of stirrer. While, granules that are small in particle and containing less moisture will be lifted accompanied with revolving air stream. During that period, it is dried further. Because the two phases gas and solid of flows in rotating, the inertia of solid phase is more than that of gas and the relative velocity between solid and gas phases is large, it strengthens the process of heat exchange. Therefore, the equipment has big drying capacity.

Features

There are many kinds of feeding equipment for choosing, and feeding is continue and static.

At the bottom of dryer, where is high temperature area, heat sensitive raw material will not contact with heat surface directly, therefore it solves the carbonized and changed color problems of heat sensitivity raw material.

There are air pressure equipment and shaft cooling equipment, so longer life.

There is special equipment for sharing wind, and raising the amount of hot air.

There are rotational flow pieces inside the drying chamber. It is used to control the moisture and granules of raw material.

Because gas speed at circle inside the drying chamber is high and the staying time of raw material is short, high efficiency and quick speed can be realized.



Add:Jiaoxi, Changzhou, Jiangsu,China.

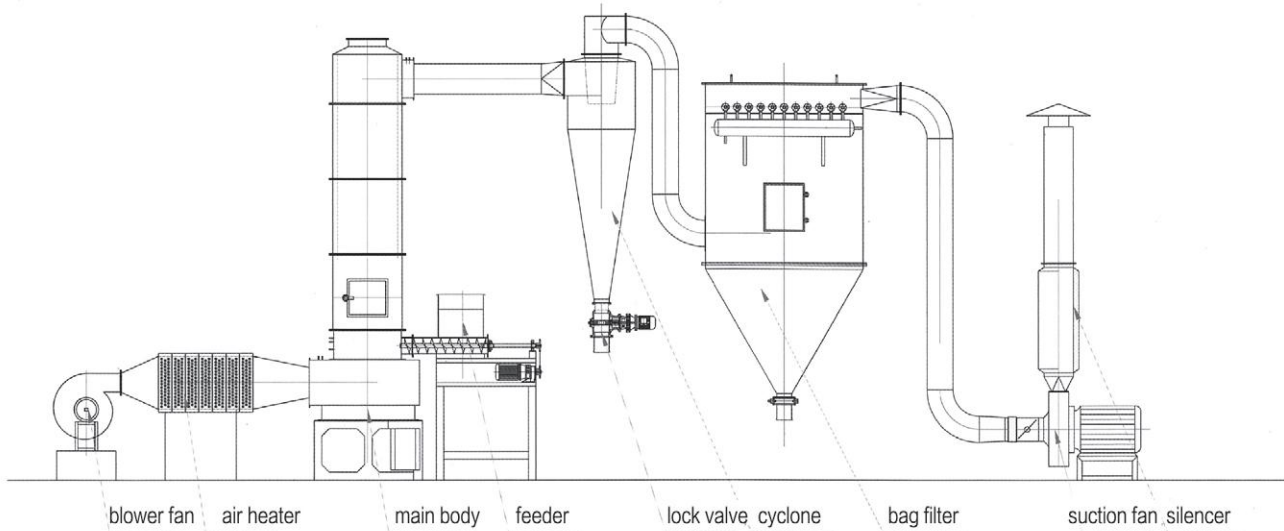
Tel:+86 519 8898521 Fax:+86 519 88908383

http://www.ymdrying.com info@ymdrying.com



XSG Series Spin Flash Dryer

ISO9001:2008



Note: heat resource can be oil, gas, coal furnace

Technical parameters

Model	XSG-2	XSG-4	XSG-6	XSG-8	XSG-10	XSG-12	XSG-16	XSG-20
ID of main machine (mm)	200	400	600	800	1000	1200	1600	2000
Air amount (m ³ /h)	350-500	1150-2000	2450-4500	4450-7550	7000-12500	10000-18000	18000-30500	50000-78000
Evaporated moisture (kg/h)	12-17	40-70	80-150	150-250	230-420	300-600	600-1000	1000-1500
Max equipped power (kw)	10	20	40	65	85	105	150	230
Max height (m)	4.0	4.8	5.8	6.4	7.1	7.8	8.5	10.1
Occupied area (m ²)	15	20	28	35	40	52	80	150

Note: all details above for reference only. Because of material features, the parameters vary. we have the right to change but not notice, pardon!



Add: Jiaoxi, Changzhou, Jiangsu, China.

Tel: +86 519 8898521 Fax: +86 519 88908383

http://www.ymdrying.com info@ymdrying.com



ISO9001:2008



QG,JG Series Air stream Dryer

Description

QG is equipped with fan that has the function of dispersing. So it is suitable for heat sensitive raw material specially.

JG, reinforce type. Suitable for raw materials that contains high moisture and paste state and other material that can't be dried with basic model.

Features

- 1.Large dry strength and save equipment investment: the treating amount of air stream drier is the largest.
- 2.High automatic and the quality of product is good: the raw material to be dried is inside the pipe. The dry time is short (only 0.5-2seconds). So that the automatic can be realized. The raw material don't contact with outside. So few pollution and final product in good quality.
- 3.The equipment will be supplied completely and the heat source can be chosen freely.
- 4.The basic type consists of filter, heater, feeder, drying pipe, fan and cyclone separator. Customer can install duster and other auxiliary equipment accordance to practical condition.
- 5.For heating way, Air stream drier has wide suitability. Stream, electricity and air-heated furnace for optional. Meanwhile, heat resource depends on the temperature of raw material to be resisted(or temperature of hot air). If $\leq 150^{\circ}\text{C}$, choose steam to heat. If $\leq 200^{\circ}\text{C}$, electricity or steam plus electric as supplement or (heat conduction); $\leq 300^{\circ}\text{C}$, coal air-heated furnace. If $\leq 600^{\circ}\text{C}$, oil air-heated furnace.

Work principle

The damp raw material through conveyer and heated fresh air enter into the drier at the same time. The area mixed fully. Because the area of heat exchange is large, the purpose of evaporation and dry can be realized in a short time, the dried finished product is discharged from cyclone separator. Small parts of power dust can be recovered and used through cyclone separator or bag duster. Model QG air stream drier is operated at negative pressure. The raw material does not pass through fan. Model JG air stream drier is operated at positive pressure. The raw material passes through fan with the effect of crushing. Model JG air stream drier is a reinforced type it integrates flash dry and air stream dry in the one body and is also a newest style drier designed and manufactured by us as customer request.



Add:Jiaoxi, Changzhou, Jiangsu,China.

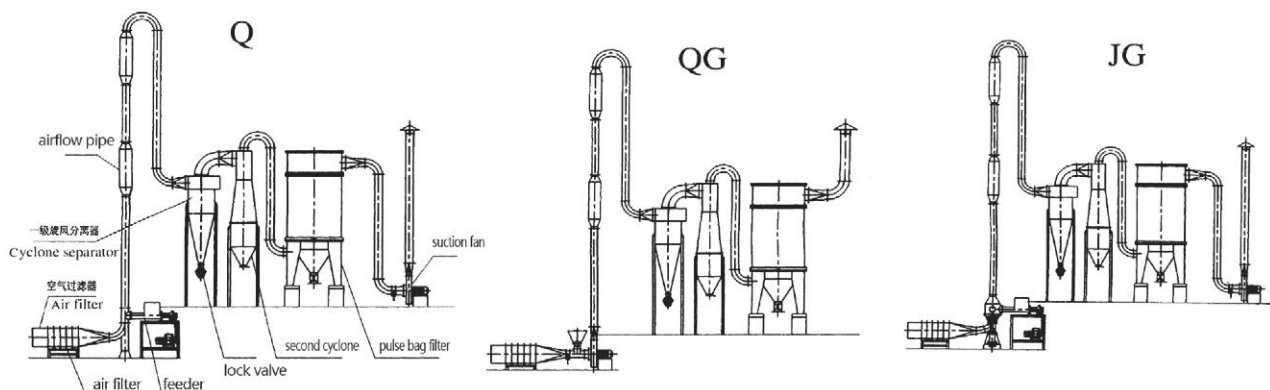
Tel:+86 519 8898521 Fax:+86 519 88908383

http://www.ymdrying.com info@ymdrying.com



QG,JG Series Air stream Dryer

ISO9001:2008



Technical parameters

Model	Moisture to be evaporated kg/h	Equipped power kw	Area of install m2	High m
QG/JG50	50	7/10	16	14/9
QG/JG100	100	13/20	26	14/11
QG/JG200*	200	21/31	35	15/11
QG/JG250	250	24/32	51	15/12
QG/JG500	500	43/54	78	18/12
QG/JG1000*	1000	100/135	105	18/15
QG/JG1500*	1500	150/175	200	20/16

Note: marked with " *" has two grades for drying.2.its power and area to be occupied are calculated based on steam heating. data above only for reference, we have the right to change but not





ISO9001:2008



ZLPG Series Spray Dryer For Extract

Working principle

This equipment is an application of centrifuge atomizing technique for special raw materials. It is an apparatus using high-speed centrifuge atomizer to make raw material distributed in fog that contacts with hot air fully and finish the drying momentarily and form powder product.

The special drier for immersed ointment of traditional Chinese medicine is used to solve immersed ointment of traditional Chinese medicine and extracted liquid of plant. It solves the conditions existed in original LPG high-speed atomizing dryer. In view of this, according to the properties and process requirements of immersed ointment of traditional Chinese medicine, our factory researched and designed the special drier for immersed ointment of traditional Chinese medicine and won two items of China patent.

Features

1. Being adapted three grade air purification, the inlet air reaches the requirement of one hundred thousand grade;
2. Being adapted wall cooling device, the temperature of inner wall will be 80-C, Even if raw material is stayed on the wall, it can not carbonize;
3. its whole volume is 3.5 times of standard LPG high-speed atomizing dryer;
4. Being adapted quick washing device, it is can meet the requirements of production for variety products;
5. Being adapted quick washing device, there is no powder dust out, It is conformity with the requirement of GMP;
6. Being adapted air sweeping device, the clean effect is satisfied;
7. Equipped two sets of atomizer and adapted frequency control;
8. Adapted PLC control and display and adapted frequency control;
9. Equipped with washing device;
10. Adapt the seal method to transport dry air



our spray dryer at Shandong



our spray dryer at Neimenggu



Neimenggu



Ningxia Site

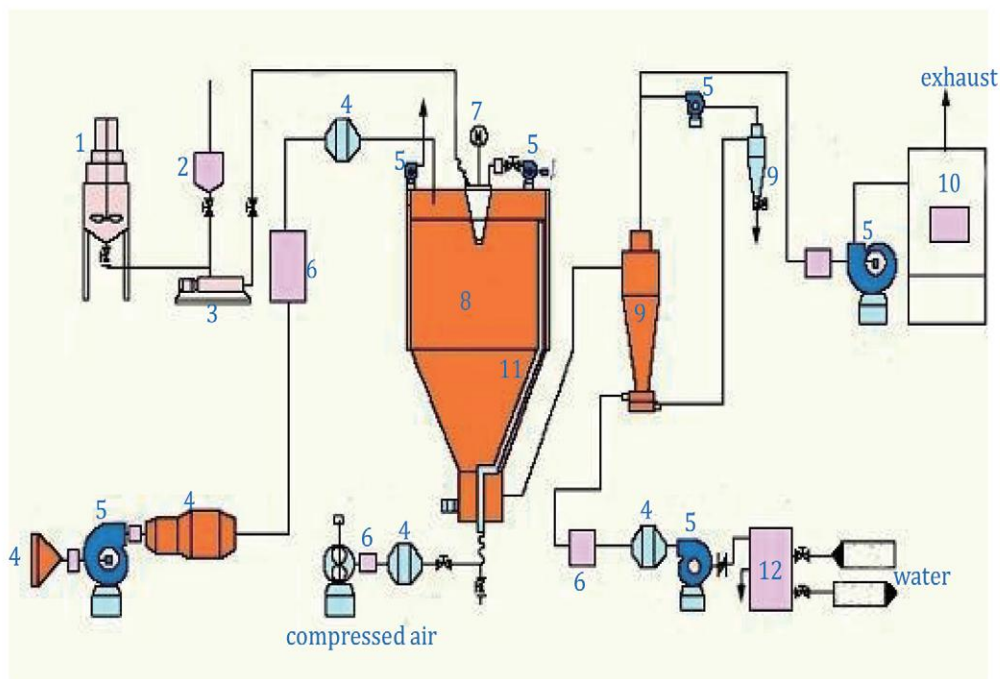


ZLPG Series Spray Dryer For Extract

ISO9001:2008



Sketch of flow chart



- 1.Feed bin
- 2.water tank
- 3.feed pump
- 4.air filter
- 5.fan
- 6.air heater
- 7.atomizer
- 8.drying chamber
- 9.cyclone separator
- 10.damp duster
- 11.sweep device(optional)
- 12.refrigeration dehumidify machine

Technical parameters

Type	5	10	25	50	80	100	150	200	300	
Evaporation rate(kg/h)	5	10	25	50	80	100	150	200	300	
Input capacity per hour (kg/h)	6-7	12-14	25-34	50-68	80-108	100-135	150-203	200-270	300-406	
Solid content of raw material(%)	18-25									
Moisture of finished product(%)	3-5									
Electrical power(kw)	36	45	63	99	132	153	204	246	330	
Heating fuel	steam plus electricity									
collecting way and its efficiency	two-grad cyclone or grade cyclone duster and one-grade damp duster $\geq 95\%$									
automatic control	indicator of temperature of hot air and humidity of air exhaust									
temperature of air in (°C)	150-200									
temperature of air out (°C)	80-100									
overall dimensions (mm)	L	5000	5500	7000	8000	9800	11000	12200	14100	15000
	W	3000	3500	4000	5000	5700	6200	7000	7800	9000
	H	4500	4600	5200	6500	7600	8100	9000	9850	11100

http://www.CZ-YM.COM E-mail:1992@CZ-YM.COM



Add:Jiaoxi, Changzhou, Jiangsu,China.
 Tel:+86 519 8898521 Fax:+86 519 88908383
<http://www.ymdrying.com> info@ymdrying.com



ISO9001:2008



LPG Series High Speed centrifugal Spray Drier

常州益民干燥设备有限公司

Principle of work

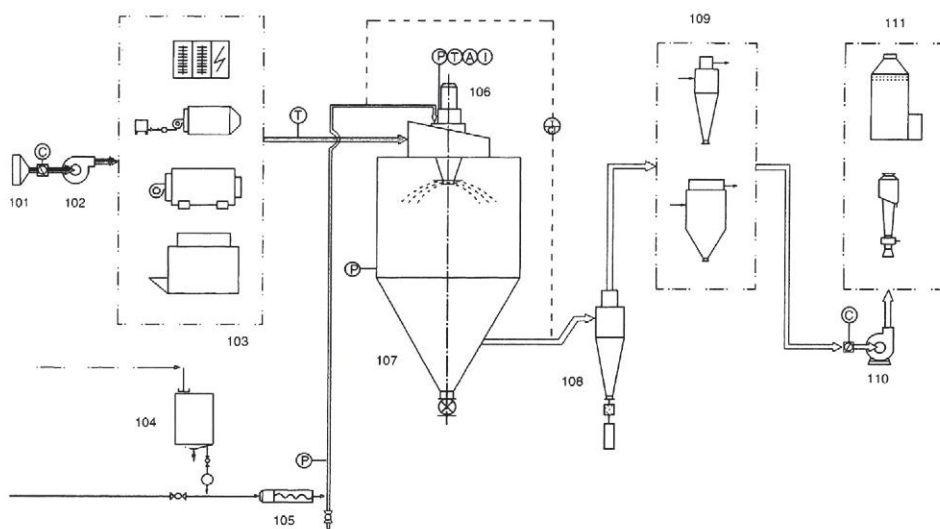
Filtered air is transferred into hot air by passing through the heater, and goes into the hot air distributor on the top of the dryer, then goes into the drying room evenly,. At the same time, liquid materials are sent to the centrifugal atomizer on the top of dryer by the screw pump with stepless speed regulator, atomized into tiny droplets which will contact hot air, then dried into dry product within shortest time. The finished products will be discharged from the bottom of the drying tower and from Cyclone separator. Waste air is exhausted by Induced draft fan.

Features

1. Fast drying speed. Liquid material after atomization will increase its surface area largely and can be evaporated its moisture 95%~98% instantly in the hot air flow so as to finish drying within 5 to 15 seconds. It is specially suitable for drying of heat sensitive raw materials.
2. Dried products have even granule, good flow ability and solubility, high purity and good quality
3. Suitable and stable operation, easy adjustment and control as well as automation
4. Simplifying process of production, superior and sanitary operation environment, and flying dust can be avoided during the drying process



Flow chart



- 101. Air filter
- 102. Blower
- 103. Air heater
- 104. Feed bin
- 105. Feed pump
- 106. Atomizer
- 107. Drying chamber
- 108. First powder catcher (cyclone)
- 109. Second powder catcher (cyclone or bag filter)
- 110. Suction fan
- 111. Exhaust air filter (water film scrubber)

Spray Drying Stages

1. Atomizing: by atomizer, feed liquid is dispersed into even fog drops.
2. Contact of fog drops and hot air: through air distributor, hot air enters into drying chamber, fully mixing with fog drops and moves at a certain rule (the contact way can be co-current flow, adverse current, mixed flow)
3. Drying process: fog drops has big surface area, and appears obvious "grades" to hot air both in temperature and humidity, thus strengthen the transmission process of "plastid caloric" moisture of fog drops is evaporated very quick (within seconds to tens of seconds)



LPG Series Centrifugal Spray Dryer

ISO9001:2008



Technical parameters

Specification	LPG5	LPG25	LPG50	LPG100	LPG150	LPG200-3000	
Inlet temperature	≤ 350° C						
Outlet temperature	80-90° C						
Evaporating rate (kg/h)	5	25	50	100	150	200-3000	
Rotating speed(rpm)	25000	22000	21500	18000	18000	15000	
Dia. of atomizing tray(mm)	50	120	120	120	150	180-340	
Heat source	Electricity	Electricity	Electricity+ steam, oil fuel, gas, or coal				
Electrical-heating power	9	45	60	81	99	-----	
Dry powder Yield	≥ 95						
Installation Size For reference	A(mm)	1000	1290	1730	2500	2800	Decided according to actual condition
	B(mm)	2100	3410	4245	5300	6000	
	C(mm)	2300	4260	4645	6000	6700	
	φ D(mm)	1060	1800	2133	2560	2860	
	E1(mm)	1050	1200	1640	2100	2180	
	E2(mm)	1050	1200	1640	2100	2180	
	F(mm)	750	1000	1250	1750	1970	
	G(mm)	530	1700	1750	1930	2080	
	H(mm)	530	1300	1800	2600	3050	
I(mm)	530	1550	1600	1780	1960		



Australia



Xinjiang



Ningxia



Xinjiang

http://www.CZ-YM.COM E-mail:1992@CZ-YM.COM



Add:Jiaoxi, Changzhou, Jiangsu,China.

Tel:+86 519 8898521 Fax:+86 519 88908383

http://www.ymdrying.com info@ymdrying.com



ISO9001:2008



YPG Series Pressure Granulation Spray Dryer

Description

YPG Series Drier can finish drying and granulating at the same time. The needed granules with certain size and ratio can be got in accordance with requirements for process to adjust pressure, flow, and size of atomizing hole.

The tower body, pipes, separator of set, which contacts raw material, are made of SUS304. Space between inner and outer shell of tower body is filled with fine glass cotton, for heat preservation. The tower body is also equipped with observation door, sight glass, lamp-house, control meters and instruments that is controlled and displayed through electric control panel.

The heat source: steam, electric, gas fuel or oil fuel(for gas or oil, it must be equipped with air heating furnace)

Features

- 1.The dry speed is fast. The surface area of raw material liquid after atomized will be increased greatly, 95-98% of moisture can be evaporated at a moment. The time to finish drying is only about ten seconds to several tens seconds. So, it is suitable for drying thermal sensitivity material particularly.
- 2.The finished products is ball granule with uniform size. Its fluidity and solubility are good. The purity of product is high and its quality is good.
- 3.The applied scope is wide. According to the characteristics of raw material, it can use hot air to dry and can also use cool air to granule. It has strong adaptability to raw materials.
- 4.Its operation is simple and stable and its control is simple and convenient and is easy to realize automatic operation.

Application

The applications in the fields of atomizing crystal, atomizing reflection, atomizing concentration are used often.

- 1.Granulating through atomizing dry: chemical industry, organic catalyst, resin, synthetic, washing powder, oils, thiamin, dyestuff, intermediate of dyestuff, white carbon black, graphite, ammonium phosphate and so on.
 - a. Foodstuff: amino and similar substance, flavoring, protein, starch, dairy products, extractive substance from coffee, fish powder, extractive substance from meat and so on.
 - b. Pharmaceutical: Chinese patent medicines, agrochemicals, antibiotics, medical drinking agent and so on.
 - c. Ceramics: magnesium oxide, kaoline, all kinds of metallic oxide, dolomite and so on.
2. Granulating through atomizing: all kinds of fertilizer, aluminum oxide, ceramics powder, pharmaceutical, heavy metallic super hardness steel, chemical fertilizer, washing powder, Chinese patent medicines and so on.
3. Granulating through atomizing cooling: amino fatty acid, paraffin wax, glycerate, tallow and so on.

Principle of work

the liquid raw material is fed into drying tower by high-pressure pump. It is atomized into small drops, which gather with hot air and fall off. Most part of powder materials will be collected through discharge port at the bottom. The wasted air and fine powder will be separated through cyclone. The wasted air will be exhausted through draught fan and powder will be collected by collector at the bottom of cyclone. At the outlet it can also be equipped with two grades of duster. Material receiving rate can be over 96-98%.



Add:Jiaoxi, Changzhou, Jiangsu,China.

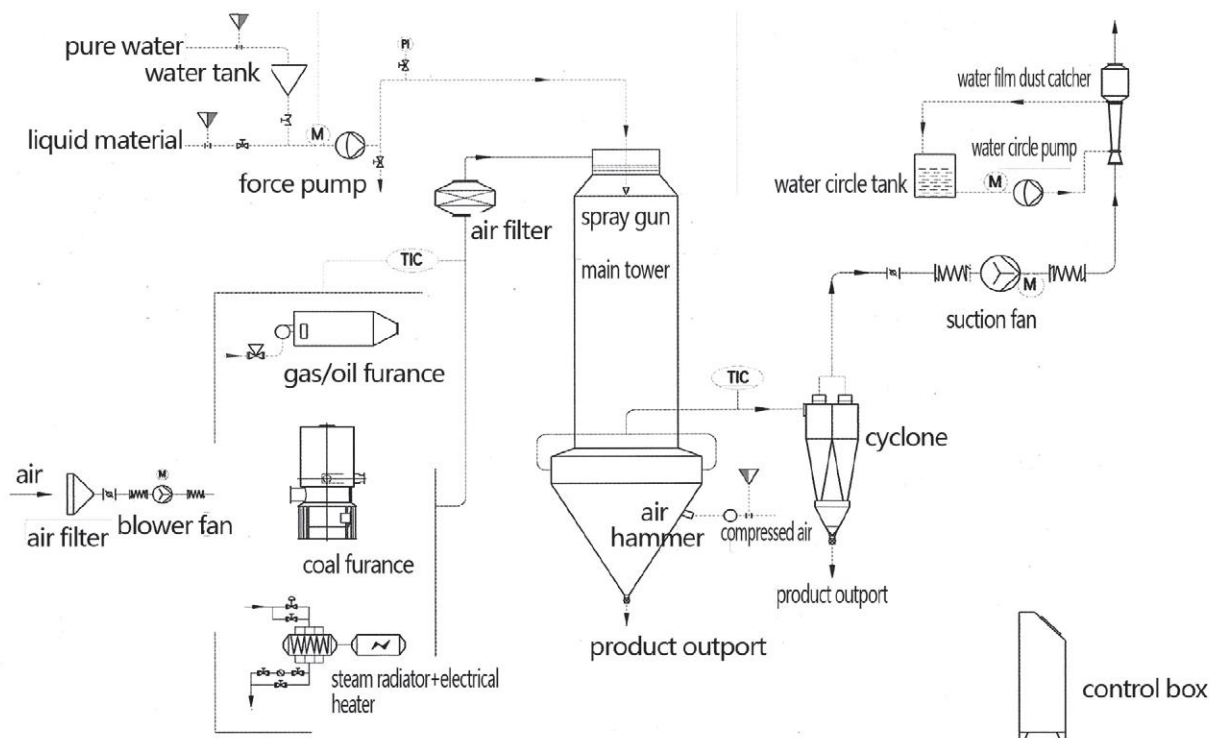
Tel:+86 519 8898521 Fax:+86 519 88908383

<http://www.ymdrying.com> info@ymdrying.com



YPG Series Pressure Granulation Spray Dryer

ISO9001:2008



Technical Parameters

Model	50	100	150	200	300	500	1000
Evaporated amount(kg/h)	50	100	150	200	300	500	1000
d(mm)ΦxH	1200x8900	1800x11500	2200x13500	2400x14800	2800x15400	3400x18800	4600x22500
Power(KW)	8.5	14	22	24	30	40	82
Inlet air temperature(° C)	300-350						
Water content(%)	<5(can reach to 0.5%)						
Yield(%)	>97						
Heating by Electricity(KW)	75	120					
Evaporation and Electricity(Mpa+KW)	0.5+54	0.6+90	0.6+108	Temperature is below 200° C,calculating in accordance with practical situation			
Furnace(Kcal/h)	150000	300000	300000	400000	600000	1000000	1500000





ISO9001:2008



HG Series Rotary Drum Scraper Dryer

Scope of application

HG Series Roller Scraper Dryer is a single cylinder dryer, can be used for drying of various kinds of slurry, especially for recovery of the waste yeasts in brew house, dryers of different specifications can meet the production demand of brew house at the scale of annual 30,000 tons to 100,000 tons of beer. This machine is also suitable for the drying treatment in food, chemical and medicine, etc.



Mechanical structure and operating principle

GT Series Rolling Scratch Board Drier body mainly consists of dryer cylinder, frame, driving system, scraper, limited material, scraping device, leaching material device and steam-path system. In addition, it is equipped with electrical control cabinet and exhaust steam cover. This is a kind dryer that heats the material and evaporates the moisture by indirect heating of steam. Its dryer cylinder (drum) is a metallic hollow cylinder whose surface is finished and is extremely smooth, driven by the transmission device (gearwheel and pinion), the dryer cylinder rotates in axial direction and the speed can be adjustable. The slurry is preheated in preheating tank, when heated to about 50°C , the slurry will be pumped to the leaching material tank at lower part of the drying cylinder, the drying cylinder submerges about 60-80mm depth, then the surface of the rotary cylinder will be coated with a layer of uniform slurry (the thickness of the film), the steam pressure in the dryer cylinder is 0.15-0.3 Mpa, the slurry is heated on the outside surface of the dryer cylinder, the moisture be exhausted by induced draft fan after evaporation. The drying will be finished when the dryer cylinder rotates one circle, the material piece on the external surface of the dry cylinder is scraped with scraping device and falls to the discharge port for collection.



Main characteristic and performance

The dryer cylinder in contact with the material is made of high grade cast iron subject to ground finishing, with characteristics of anticorrosion and free pollution. This machine adopts conductive heating, there' s no heat loss taken by the drying medium, so it is high heat utilization and low energy consumption, usually above 70%. It is also characterized by compact structure, less room taking and convenient cooperation and maintenance, etc. This machine is made by combining with the advantages of the Germany sample machine and in light of the actual situation in China, advanced operational performance is achieved.

Technical process

Parameter Spec.	Φ 800 × 1600	Φ 1000 × 2000	Φ 1200 × 2000	Φ 1400 × 2400	Φ 1600 × 2400
Heating Source Pressure(MPa)	≤ 0.6				
Main Motor Power (kw)	3	4	4	5.5	7.5
Heating Transmission Area(m2)	4	6.2	7.5	10.5	12
Speed of the roller (rpm)	0.5-5				
Heating Source	Steam and Conducting oil				
Feeding method	top or bottom				

Add:Jiaoxi, Changzhou, Jiangsu,China.

Tel:+86 519 8898521 Fax:+86 519 88908383

http://www.ymdrying.com info@ymdrying.com



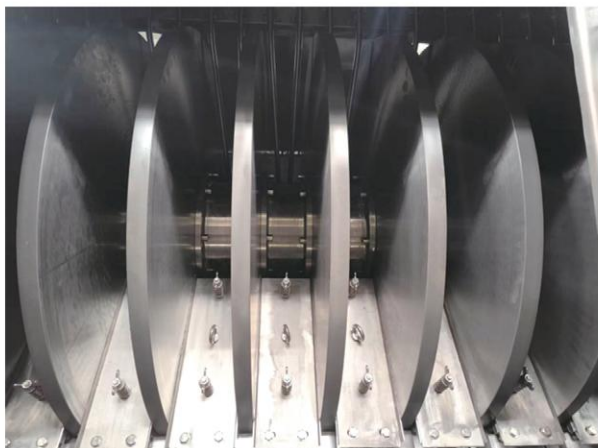
Introduction

The disc dryer is a type of contact dryer used to extract dry solids from liquids containing solid particles, such as solutions and suspensions. The liquid to be dried is sprayed through a pump and multiple nozzles onto a set of discs that are heated by steam from the central hub. The liquid evaporates on the heated disc surfaces. After the remaining dry material completes one rotation, scrapers positioned on the discs remove it from the disc surfaces. The resulting dried material is then discharged from the dryer by a conveying device. Subsequently, the steam-laden exhaust gas is expelled. As a result, the thermal energy consumption of this dryer is relatively low.

The disc dryer offers particular advantages in terms of energy efficiency. The structure and design of the disc assembly are significantly more compact compared to other types of contact dryers, such as drum dryers. Furthermore, its heat transfer efficiency per square meter of heating surface is higher than that of drum dryers.

Features

1. Not classified as a pressure vessel — no mandatory inspection required, reducing user labor and effort.
2. Smaller footprint — under the same processing capacity, occupies only 2/3 the space of a drum flaker.
3. With a blade length of only 40cm, no adjustment of blade-to-disc fit is required.
4. Blades mounted between two disc surfaces brace against each other — preventing scale buildup and blade jamming.
5. Feed pipe diameter is no less than 18mm — preventing clogging and reducing downtime for cleaning.
6. Heating disc thickness does not exceed 10mm — enabling higher heat transfer efficiency, with processing capacity up to 60kg/h per square meter.
7. For regions with strict exhaust gas regulations, a vacuum design is available — reducing emissions while lowering energy consumption.
8. Disc hardness is treated with WC thermal spray process, achieving HRC70 — eliminating corrosion concerns associated with chrome plating (disc surface guaranteed for three years under specific operating conditions).



Scope of Material Application



- In addition to extracting dry solids from liquids, the disc dryer can also evaporate part of the liquid for concentration purposes. It also serves as a reliable alternative to vertical falling film evaporators.

Process Principle

1. Liquid is supplied onto the disc surface

The feed liquid from the circulation tank is pumped through the inlet pipe onto the disc surfaces. The liquid spreads into a thin film, thereby improving heat transfer efficiency. Excess solution flows back to the circulation tank and is pumped again.

2. Drying

The solution adhering to the surface of the heating discs is dried as the discs rotate. By varying the rotational speed of the discs and the steam pressure (drying temperature), both the processing capacity and the moisture content of the dried product can be adjusted.

3. Dry Material Collection

The scraper removes the product from the disc surface. The scraper continuously cleans the disc surface (heat exchange surface) to maintain good thermal conductivity.

4. Compact Structure

The disc dryer saves approximately 40% of the space required by a double-drum dryer with the same heat transfer area.

5. The disc dryer is unique in many other aspects.

Compatible with a wide range of applications, including powder production, drying/concentration of waste liquids, and resource recovery. By using a single unit to dry and disintegrate all types of liquids (organic or inorganic), it saves space and reduces installation costs. Dry waste liquids to reduce volume. Recover valuable resources such as precious or rare metals for profitable resale — protecting the global environment while reducing corporate costs.





ISO9001:2008



CD Series Disc Dryer

Model

	CD-500	CD-903	CD-906	CD-908	CD-910	CD-912	CD-1206	CD-1208	CD-1210	CD-1212	CD-1216
Disc dia	540	900						1200			
QTY of Discs	1	1~12						6~16			
Heat transfer area/disc	0.4	1						2			
Total heat transfer area	0.4	1~12						12~32			

Material Parameter Table

	Initial moisture (%)	Final moisture (%)	Steam pressure (MPa)	Capacity (kg/m ² /h)	Product output (kg/m ² /h)
Ceramic slurry	67	0.2	0.3	100	33
Ferrite slurry	60	0.1	0.3	175	70
Pigment	70	3	0.1	54	17
Yeast	88	5	0.3	80	10
Distillation residue	91	11	0.3	60	6
Milk	89	1.2	0.15	29	3
Waterborne coating	98	10	0.13	63	1
Preservative	88	4	0.25	36	5
Concentrated brine	80	10	0.25	48	11
Oily wastewater	88	17	0.3	52	8



Add: Jiaoxi, Changzhou, Jiangsu, China.

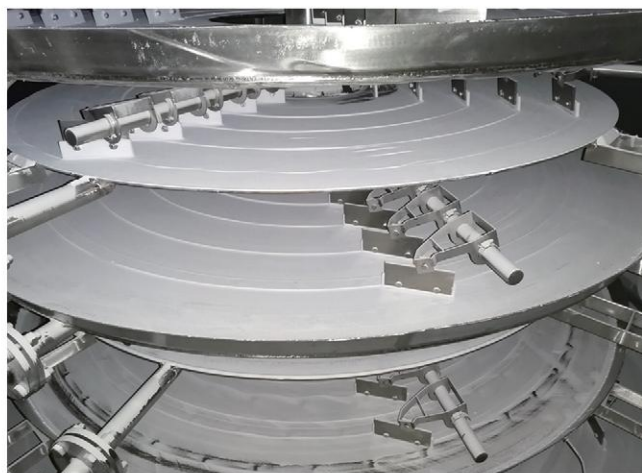
Tel: +86 519 8898521 Fax: +86 519 88908383

<http://www.ymdrying.com> info@ymdrying.com



The principle of work

Wet materials are fed continuously to the first drying layer on the top of the dryer. They will be turned and stirred by rakes when the rake arm rotates and drop down to the outer edge of the large drying plate under earth, and will be moved inward and drop down from its central hole to the small drying plate on the next layer. Both small and large drying plates are arranged alternately so as materials can go through the whole dryer continuously. The heating media, which could be informs of saturated steam, hot water or heat conducting oil will be led into hollow drying plates from one end to the other end of the dryer. The dried materials will drop from the last layer of the drying plate to the bottom layer of the shell body, and will be moved by rakes to the discharge port. The moisture escapes from materials and will be removed from the moist discharge port on the top cover, or sucked out by the vacuum pump on the top cover for vacuum-type plate dryer. The dried materials discharged from the bottom layer can be packed directly. The drying capability can be raised up if equipped with supplementary devices such as finned heater, condenser for solvent retrieval, bag dust remover, return and mix mechanism for dried materials and drawing fan etc. Solvent in those dried paste and heat sensitive materials can be easily retrieved and thermal decomposition and reaction can be also carried out.



Application

1. Organic chemicals
2. Mineral chemicals
3. Pharmaceutical and foodstuff
4. Feed and fertilizer

Descriptions

PLG Series Continual Plate Dryer is a kind of high effective conducting and continuous drying equipment. Its unique structure and operating principle determine that it has advantage of high heat efficiency, low energy consumption, small occupying area, simple configuration, easy operating and control as well as friendly operating environment etc. It can be widely used in drying process in the fields of chemical industry. Pharmaceuticals, agricultural chemicals, foodstuff, fodder, process of agricultural and sideline products etc, and is well received by various sectors in their practical usage. Now there are three big categories, named normal pressure, closed and vacuum styles, four sizes of 1200,1500,2200 and 3000, and three kinds of materials, namely A(carbon steel), B(stainless steel used for those all parts where materials are contacted) and C(on the basis of B to add stainless steel materials for vapor pipes, main shaft and support , and stainless steel linings for cylinder body and top cover). With drying area being from 4 to 180 square meters, now we have hundreds of models of series products and various kinds of auxiliary devices available to meet requirements of drying materials for customers.



Add: Jiaoxi, Changzhou, Jiangsu, China.

Tel: +86 519 8898521 Fax: +86 519 88908383

<http://www.ymdrying.com> info@ymdrying.com



ISO9001:2008



PLG Series Continual Plate Dryer

Features

(I) Easy regulation and control, strong adaptability

1. Regulate thickness of materials, speed of main shaft, number of rake arm, style of and sizes of rakes to make drying process be optimal.
2. Each layer of drying plate can be led thermal or cold media individually to heat of cold materials and make temperature control accurately and easily.
3. Dwelling time of materials and be accurately adjusted.
4. Single flowing direction of materials without return flowing and mixing, even drying and stable quality, no re-mixing is needed.

(II) Easy and simple operation

Start and stop of dryer is quite simple.

After materials are stopped feeding and conveying, they can be easily exhausted out of the dryer by rakes.

Careful cleaning and observation can be carried inside the equipment through large-scale viewing window.

(III) Low energy consumption

Thinner layer of materials, low speed of main shaft, small power and energy needed for conveying system of materials.

Dry by conducting heat so it has high heating efficiency and low energy consumption.

(IV) Friendly environment, solvent can be retrieved and dust powder discharge can meet requirement.

Normal pressure style: as low speed of air flow inside the equipment and moisture being high in upper part low in lower part, dust powder could not float to the top of the equipment, so there is almost no dust powder in tail gas discharged from the most discharge port on the top.

Closed Style: equipped with solvent retrieval device that can retrieve organic solvent easily from most-carrier gas in closed circulation for those subject to burning, explosion and oxidation, and poisonous materials in order for safe operation. Especially suitable for drying of flammable, explosive and poisonous materials.

Vacuum Style: if the plate dryer is operating under vacuum state, it is particularly suitable for drying of heat sensitive materials.

(V) Easy installation and small occupying area

1. As the dryer is in a whole to leave the factory and to be transported, it is quite easy to install and fix in the location only by hosting.
2. As drying plates are arranged by layers and installed vertically, it takes a small occupying area through drying area is larger.

Add: Jiaoxi, Changzhou, Jiangsu, China.

Tel: +86 519 8898521 Fax: +86 519 88908383

<http://www.ymdrying.com> info@ymdrying.com



PLG Series Continual Plate Dryer

ISO9001:2008



Technical Parameter

spec	diameter mm	heigh mm	area of dry m2	power Kw
1200/4	Φ 1850	2718	3.3	1
1200/8		3558	6.6	1.5
1200/12		4398	9.9	2.2
1500/6	Φ 2100	3022	8.0	
1500/8		3442	10.7	
1500/12		4282	16.1	3.0
1500/16		5122	21.5	
2200/6	Φ 2900	3319	18.5	4.0
2200/10		4159	30.8	
2200/14		4999	43.1	
2200/18		5839	55.4	7.5
2200/22		6679	67.7	11
2200/26		7519	80.0	
2500/6	Φ 3150	3319	26.3	4
2500/10		4159	43.8	5.5
2500/14		4999	61.3	7.5
2500/18		5839	78.8	11
2500/22		6679	96.3	
2500/24		7099	105	13
3000/8		Φ 3800	4050	48
3000/12	5250		72	
3000/18	7050		108	13
3000/26	9450		156	15
3000/28	10050		168	





ISO9001:2008

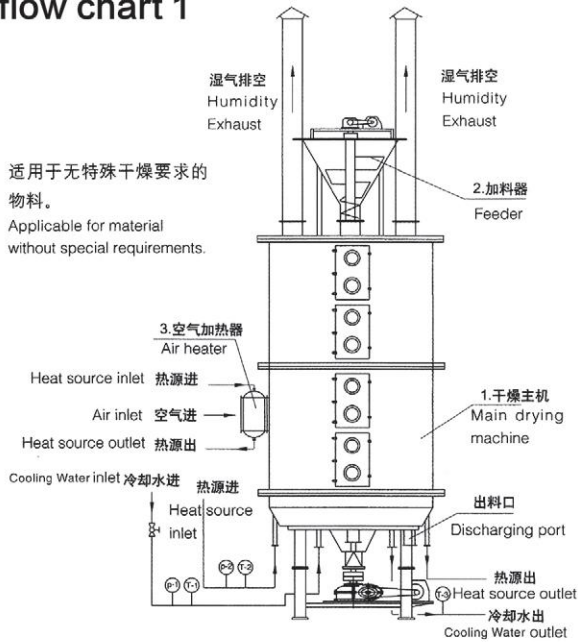


PLG Series Continual Plate Dryer

常州市益民干燥设备有限公司

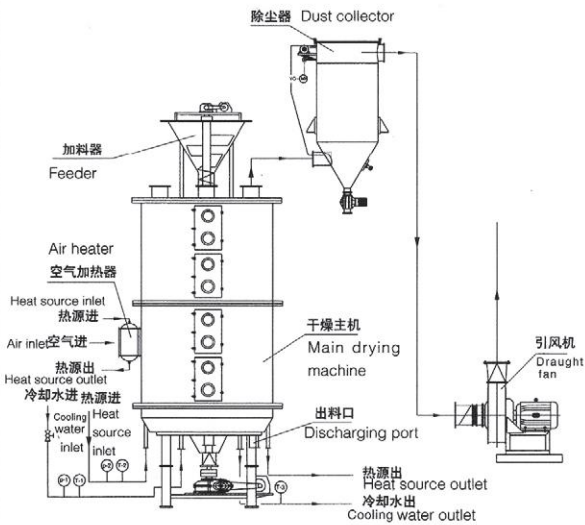
flow chart 1

适用于无特殊干燥要求的物料。
Applicable for material without special requirements.



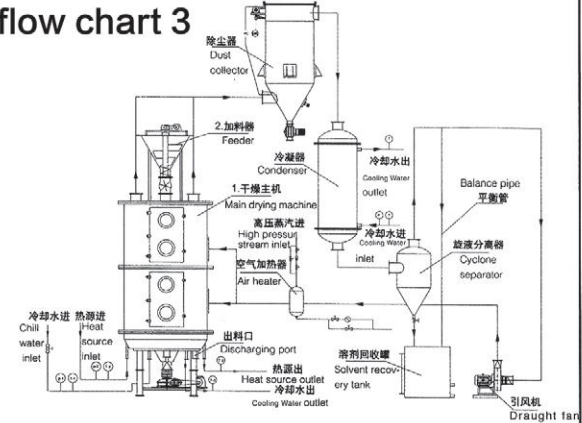
备注 一般在蒸发量较大的情况下才配备空气加热器,以增大干燥效率。
Remarks: to enhance drying efficiency, air heater is normally applied for high evaporation capacity

flow chart 2



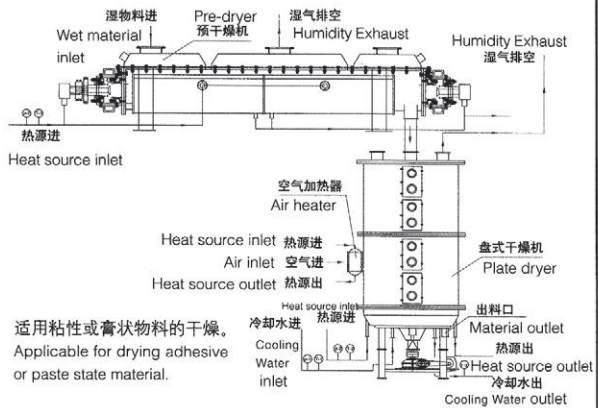
适用于干燥物料的粉末需要回收或具有一定的有害粉末。
Applicable for drying material with requirements of powder recovery or the powder is toxic.

flow chart 3



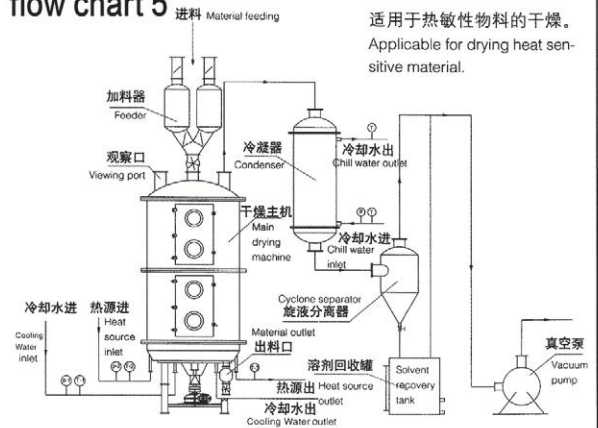
适用于对干燥过程中所蒸发出来的溶剂进行回收或是对干燥所用气体系要求不能外泄的场合。
Applicable for the drying process with solvent recovery or without leakage of evaporated gas.

flow chart 4



适用粘性或膏状物料的干燥。
Applicable for drying adhesive or paste state material.

flow chart 5



适用于热敏性物料的干燥。
Applicable for drying heat sensitive material.



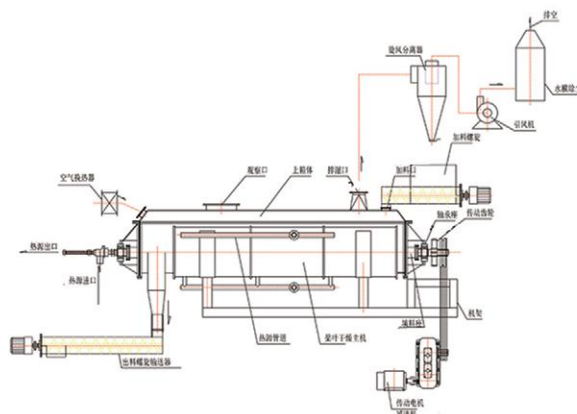
KJG Series Hollow Paddle Dryer

ISO9001:2008



Specifications

Applicable for drying paste,particle,powder,slurry state material,perform process of drying, Drying machine Hollow Blade Dryer
Hollow chock shaped blades are concentrated on the hollow shaft. Heat media flow through the blade from the hollow shaft. The heat transferring area in the effective volume is very high. The temperature range of heating media is -40°C to 320°C . It might be steam, or liquid state, such as steam, thermal oil etc. Indirect heating, there's no heat carried out by air. All heat is utilized for to drying the material except the lost of heat insulation layers. The surface of chock shaped blade has self-cleaning function. The relative movements of the product particles and the chocked shaped surface might clean the material attached to the chock shaped surface, so to keep the cleanliness of heat transferring surface during working. The shell of hollow blade dryer is Ω shape. 2 or 4 pieces of hollow stirring shaft are usually equipped in the shell. To avoid any leakage of material, there're sealed terminal cover and top cover with the shell. The heat transferring media flow through the rotation connector, jacket's shell and hollow stirring shaft. To ensure best transferring effect, the hollow stirring shaft adopts different interior structure in accordance with different heating media.
b on each paddle. This results in higher heat transfer rates than disc or single shaft designs.



http://www.CZ-YM.COM E-mail:1992@CZ-YM.COM



Add:Jiaoxi, Changzhou, Jiangsu,China.
Tel:+86 519 8898521 Fax:+86 519 88908383
<http://www.ymdrying.com> info@ymdrying.com



ISO9001:2008



KJG Series Hollow Paddle Dryer

Features

The heat consumption of blade is low. No heat carried out by the air because of indirect heating; there's no heat insulation layer with the exterior wall of the drier. It consumes 1.2 kg of steam to evaporate 1kg of water for drying slurry state of material.

The cost of blade drier is low: The unit effective volume has very large heat transferring surface, so the processing time is shorted, the size of the equipment becomes small. The building area and place are sharply decreased.

The range of material to be processed is wide: Heat sensitive material and materials to be processed under high temperature might be processed with different heating media. The normal media are: steam, thermal oil, hot water and chill water. It might be continuous or batch operation, widely used in many areas.

Steady operation: The material particles fully contact heat transferring surface, because of the special compressing and swell-stirring effect of the chock shaped blade. The differ

Technical Parameters

Model	Heat transfer area (m ²)	shaft quantity	motor power (kw)	rotating speed (r/min)	overall dimension(mm)		
					length	width	height
KJG-4	4	2	3 ~ 3.5	1.5 ~ 15	3300	800	800
KJG-6	6	2	4 ~ 7.5	1.5 ~ 15	3500	900	1200
KJG-8	8	2	5.5 ~ 11	1.5 ~ 15	3900	900	1200
KJG-10	10	2	7.5 ~ 11	1.5 ~ 15	4000	1250	1450
KJG-15	15	2	7.5 ~ 11	1.5 ~ 15	5200	1400	1720
KJG-20	20	2	11 ~ 15	0.5 ~ 10	5500	1700	1800
KJG-25	25	2	15 ~ 22	0.5 ~ 10	6000	1700	1900
KJG-30	30	2	15 ~ 30	0.5 ~ 10	6000	2000	2000
KJG-40	40	2	22 ~ 35	0.5 ~ 10	6500	2000	2000
KJG-60	60	2	35 ~ 55	0.5 ~ 10	8150	2150	2400
KJG-70	70	2	35 ~ 75	0.5 ~ 10	8400	2500	2600
KJG-80	80	2	35 ~ 75	0.5 ~ 10	9000	2500	2500
KJG-100	100	2	55 ~ 75	0.5 ~ 10	9300	3000	2700
KJG-120	120	2	70 ~ 110	0.5 ~ 10	8150	4000	2400
KJG-160	160	2	70 ~ 150	0.5 ~ 10	9000	4500	2500
KJG-200	200	2	110 ~ 150	0.5 ~ 10	9300	5500	2700

Add: Jiaoxi, Changzhou, Jiangsu, China.

Tel: +86 519 8898521 Fax: +86 519 88908383

<http://www.ymdrying.com> info@ymdrying.com



FL Series One-step Fluid Bed Granulator

ISO9001:2008



Application

Pharmaceutical industry: tablet, capsule, low sugar or no sugar granule of Chinese medicine.

Foodstuff: cocoa, coffee, milk powder, juice of granulates, flavoring and so on.

Other industries: pesticide, feed chemical fertilizer

Drying of powder or granules material.

Granules, protecting coat of pellet, spare color, slow release film, bowel-dissolve coating, etc

Features

Through powder granulating, material fluidness improved and fewer dust flying.

Through powder granulating, its solving property is improved.

Mixing, granulating and drying is completed in one step inside the machine .

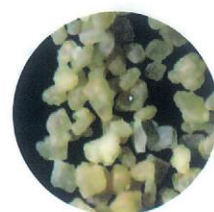
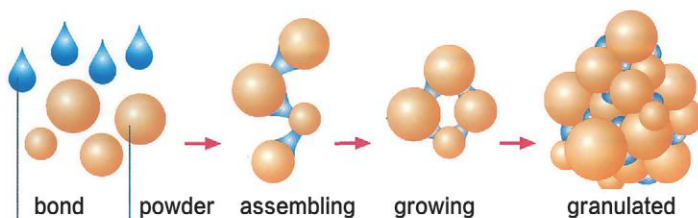
Safe operation because of the antistatic cloth bag filters.

The operation personal is not damaged if explosion take place because of the releasing holes.

No dead corner. quick and convenient of loading and discharging. It can meet the GMP requirement.

Principle

The powder material in container (fluid bed) is in the state of annular fluidization. It is preheated and mixed with clean and heated air. At the same time, the solution of adhesive solvent is fogged and sprayed into the container. It makes some of particles become granules that contains adhesive. Being of ceaselessly dry in hot air, the moisture in the granule is evaporated and the adhesive is solidify. The process is carried out continuously. Finally it forms ideal, uniform and porous granules



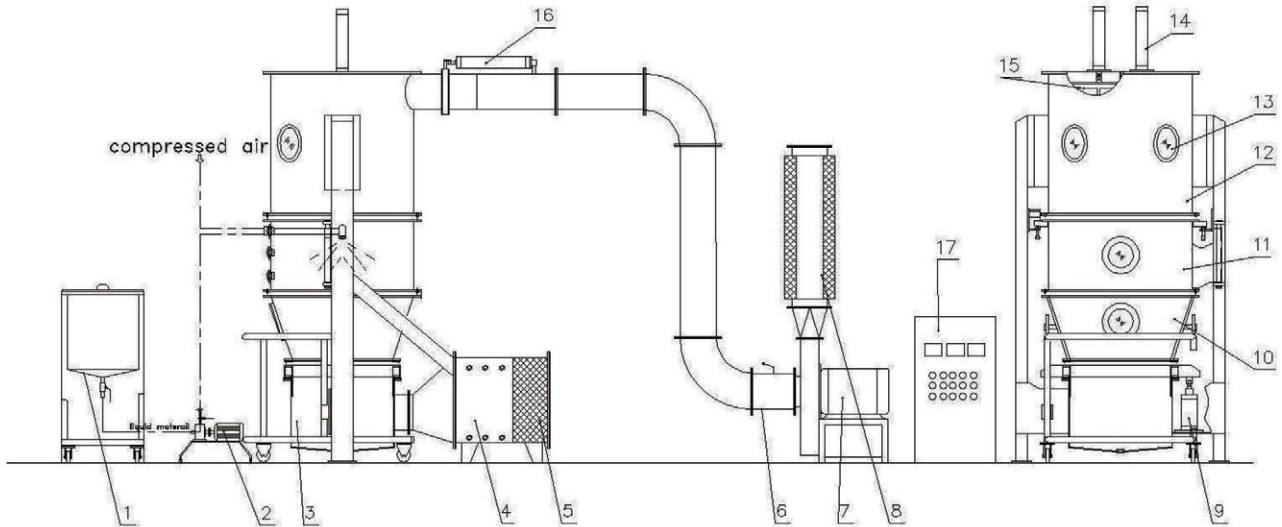


ISO9001:2008



FL Series One-step Fluid Bed Granulator

Flow chart



- 1. Liquid material tank
- 2. Feed pump
- 3. Bottom hopper
- 4. Air heater
- 5. Air filter
- 6. Air valve
- 7. Suction fan
- 8. Silencer
- 9. up cylinder
- 10. Container (fluid bed)

Technical Parameters

Item		unit	Model								
			5	15	30	60	120	150	200	300	500
container	volume	liter	22	45	100	220	420	570	670	1000	1500
	diameter	mm	400	550	700	1000	1200	1300	1400	1600	1800
capability	min	kg/batch	4	10	15	30	80	80	100	150	250
	max	Kg/batch	6	20	45	90	160	240	300	450	750
fan	velocity	m ³ /h	1200	1400	1800	3000	4500	5000	6000	7000	8000
	pressure	mm H ₂ O	375	480	480	950	950	950	950	950	950
	power	kw	4	5.5	7.5	11	18.5	22	22	30	45
steam consumption		kg/h	23	42	70	141	211	240	282	366	451
compressed air expenditure		m ³ /min	0.9	0.9	0.9	1.0	1.0	1.0	1.1	1.5	1.5
Main unit weight		kg	700	900	1000	1100	1300	1500	1600	1800	2000
steam pressure		Mpa	0.3-0.6								
temperature		°C	adjustable at the range from room temperature to 120°C								
working time		min	decided in accordance with the properties of raw materials								
collect rate		%	≥99								
noise		dB(A)	when do installation ,main machine is separated from fan.								
size(L×W×H)		m	1.0×0.6	1.2×0.7	1.25×0.9	1.6×1.1	1.85×1.4	2.2×1.65	2.34×1.7	2.8×2.0	3×2.25
			×2.1	×2.3	×2.5	×2.5	×3	×3.3	×3.8	×4.0	×4.4

All data for reference only. According to the material features, we have the right to change but not notice, pardon!

Add:Jiaoxi, Changzhou, Jiangsu,China.
 Tel:+86 519 8898521 Fax:+86 519 88908383
<http://www.ymdrying.com> info@ymdrying.com



FLP Series Granulation Fluid Bed Coater

ISO9001:2008



Description

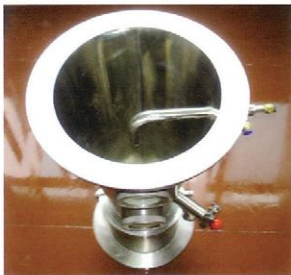
The purified and heated air passes through the gaps of ring and enters into the container. The raw material in the container appears the state of boiling. Because of the rotating of distribution plate, the raw material undertakes the effect of gravitation itself, buoyancy of air, circular centrifugal force and friction acts circular round movements.

Features

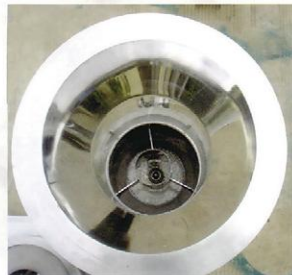
1. Granulating and coating for powder material
2. Granulating and coating for flow immersed paste of Chinese traditional medicine
3. Can prepare and coat granule of 50um
4. Can prepare porous quick solving granule, multi-layer low releasing and control releasing coating, ball granule and coating
5. Can prepare compact ball (pellet) granule and coating.
6. Dry powder, granule and mass shape material. 7. One machine with multi-function.



Fluid bed model for optional



Top spraying for granulating



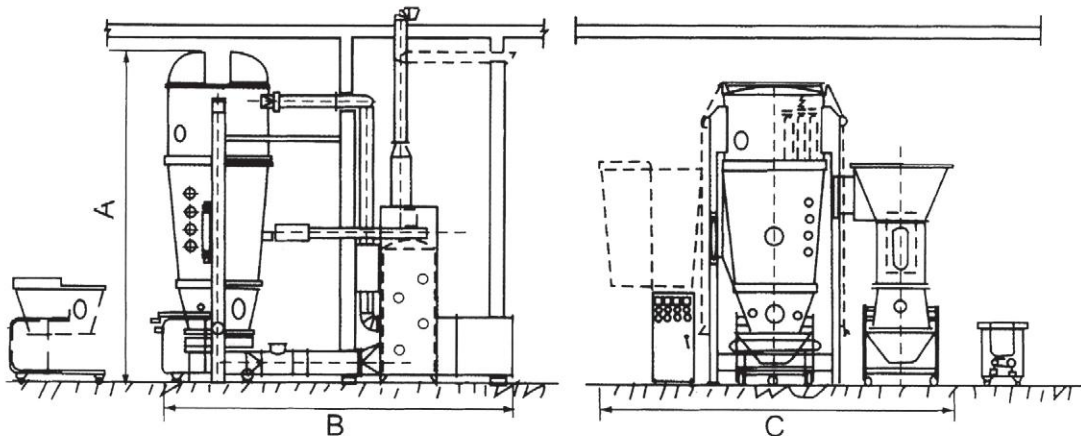
Bottom spraying for coating



Whirl flow fluid bed



Side spraying for pellet and coating



Add: Jiaoxi, Changzhou, Jiangsu, China.

Tel: +86 519 8898521 Fax: +86 519 88908383

<http://www.ymdrying.com> info@ymdrying.com



ISO9001:2008



FLP Series Granulation Fluid Bed Coater

Technical Parameters

Name			FLP3	FLP5	FLP10	FLP15	FLP30	FLP60	FLP120
Dia of container	mm		400	600	700	800	1000	1200	1500
Productive capacity	kg/batch		0.75-3	1.2-5	2.5-10	3-15	7.5-30	15-60	30-120
Power of fan	kw		3	4	5.5	7.5	7.5	11	18.5
Steam	Pressure	Mpa	0.4-0.6						
	Consumption	m3/min	6kw	20	35	42	60	160	240
compressed air	Pressure	Mpa	0.6						
	Consumption	m3/min	0.3	0.4	0.6	0.6	0.9	1.1	1.5
Noise	dB		The noise at fan separated place should be less than 75dB						

Model	A(mm)	B(mm)	C(mm)
1	1.95	750	1100
3	1.68	1100	580
5	2200	1200	1800
10	2500	1750	2150
15	2800	1950	2700
30	2850	2150	3000
60	3300	2300	3600
120	3500	2550	4200



GHL Series High Shear Wet Mixing Granulator

ISO9001:2008



Application

It is suitable for pharmaceutical industry, foodstuff industry, chemical industry and so on. The granule is made from powder to damp granule in which the adhesive should be injected in it.

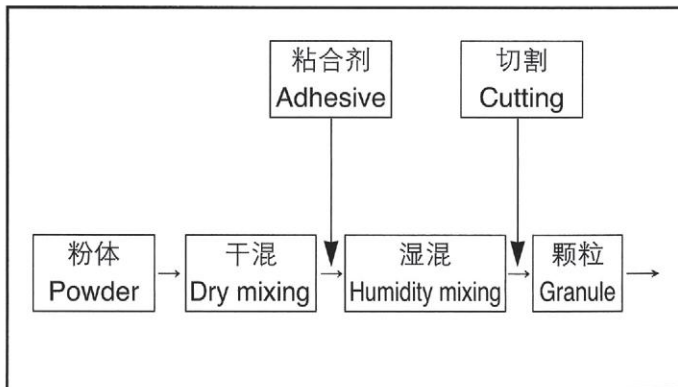
Work principle

The powder raw material and adhesive are mixed to moisture soft material through mixing oar at the bottom of the cylinder (cone) container. Then cut it to become uniform damp granule through high speed crushing oar installed at the side

Features

The machine adapts horizontal cylinder structure. Its structure is reasonable. Use air filled seal shaft to drive. When washing, it can be changed to water; Use fluidization to Granulate and the granule is near ball. Its flow is good; Compared the traditional process 25% of adhesive can be reduced and the drying time can be shorted; Mixing time is 2 minutes and granulating time is 1-4 minutes. 4-5times of the traditional process. In the same sealed container, dry mixing, humidity mixing and granulating can be finished. It is in conformity with the requirements of GMP; The whole operation has strict safe and protective measures.

Flow chart



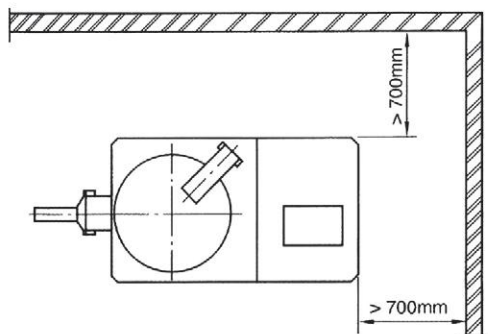


ISO9001:2008

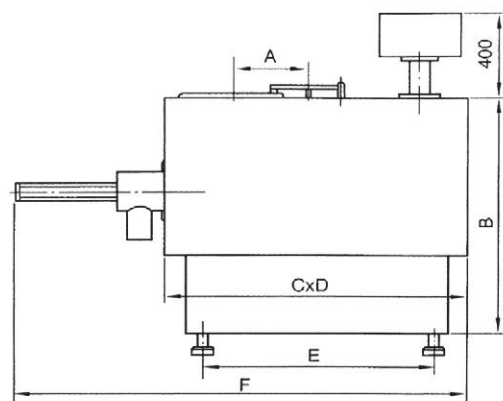


GHL Series High Shear Wet Mixing Granulator

Drawing of layout



Overall dimensions



Type	A	B	C×D	E	F
50	320	950	1250×800	970	1650
150	420	1000	1350×800	1050	1750
200	500	1100	1650×940	1450	2050
250	500	1160	1650×940	1400	2260
300	550	1200	1700×1000	1400	2310
400	670	1300	1860×1100	1550	2410
600	750	1500	2000×1230	1750	2610

Technical parameters

Name	GHL-50	GHL-150	GHL-200	GHL-250	GHL-300	GHL-400	GHL-600
Capacity(L)	50	150	200	250	300	400	600
Output(kg/batch)	15	50	80	100	130	200	280
Mix speed(r.p.m)	200/400	180/270	180/270	180/270	140/220	106/155	80/120
Mixer power(kw)	4/5.5	6.5/8	9/11	9/11	13/16	18.5/22	22/30
Cutting speed(r.p.m)	1500/3000						
Cutting power(kw)	1.3/1.8	2.4/3	4.5/5.5	4.5/5.5	4.5/5.5	6.5/8	9/11
Compressed air consumption	0.6	0.9	0.9	0.9	1.1	1.5	1.8



PGL-B Series Spray Drying Granulator

ISO9001:2008

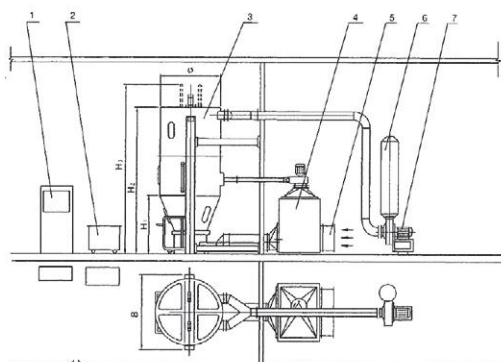


Application

Pharmaceutical industry: tablets, granules, capsules particles; low-sugar, sugar-free particles of proprietary Chinese medicines
 Food products: cocoa, coffee, milk, fruit juice particles, such as seasoning
 Other industries: pesticides, feed, fertilizer, paint, dyes, etc

Features

- 1.Spray-drying / fluid granulating in one body to achieve one-step granulation liquid materials.
- 2.Adopting the spray process, especially suitable for micro-materials, heat-sensitive materials,. Its efficacy is 1-2 times higher than that of FL boiling Granulator.
- 3.The moisture of finished products can reach 0.1%.It is equipped with a powder reverting device. And the granules forming $\geq 95\%$. 0.2-2mm particles can be made.
- 4.The inner roller multi-fluid atomizer improved in design can process liquid extracts with a density of 1.3g/cm³
- 5.Fluid bed can realize fast heat transmission.
- 6.Seal and negative pressure operation, there is no dust.
- 7.Because of using anti-static material as filter, it is safe in operation;
- 8.No dead corner so it is easy to clean and no cross-pollution;



Installation diagram

- 1.Control cabinet
- 2.Infusion car
- 3.Main body
- 4.Heat exchanger
- 5.Air filter
- 6.Silencer
- 7.Suction Fan

Technical parameters

spec			3	5	30	60	120	200	300	500	1000
item	unit										
container of raw material	dim.	mm	300	400	700	1000	1200	1400	1600	1800	2200
	volume	L	12	22	100	220	420	670	1000	1500	2500
production capacity	Min	Kg/batch	1.5	4	15	300	80	100	150	250	500
	Max	Kg/batch	4	6	36	72	140	240	360	600	1100
consume of steam		Kg/batch	12	23	70	140	211	282	366	465	800
amount of compressed air		m ³ /min	0.3	0.3	0.3	0.6	0.6	0.9	0.9	0.9	1.5
power of fan		kw	2.2	4	5.5	11	18.5	22	30	45	75
temperature			Adjustable from ambient to 120								
collection rate		%	>99								
time of operation		min	15~30(depends on material)								
content of final product		%	~0.2(depends on material)								
noise		dB	≤ 75								
height of main machine		mm	2100	2300	2500	3000	3300	3800	4000	4800	6200





ISO9001:2008



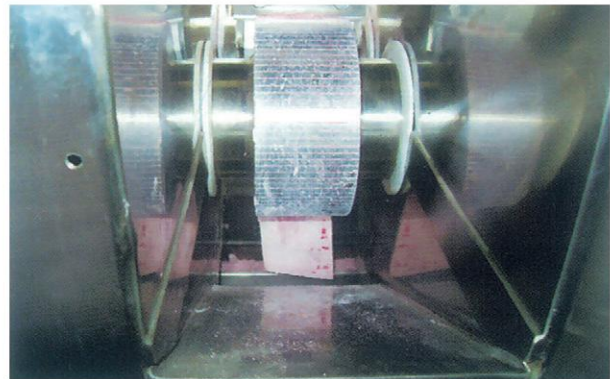
GK Series Dry Roller Compactor

Applications

This is new equipment to make granules directly from the target materials with minimum crystal water, which is widely applied in the pharmacy, foodstuff industry, chemical industry, etc. It's especially suitable for the granulating of those materials that can not be done by the wet granulating method. The finished granules from this machine can be made in troches or capsules.

Features

new and reasonable structure, reliable and stable property, low noise, easy cleaning and maintained.
 The density of dry power granule is homogeneous, Its solubility is good. The ratio of granule formed is high. Being adapted special mechanism to feed raw material to adhere roller can't be taken place.
 Because its roller is cooled through circle water, it guarantees the phenomenon of raw material to adhere roller can not be taken place.
 It is not necessary to use water or ethanol as humectants and to carry out the second heating and drying. Its procedure is less and its working.



Technical Parameters

Type	GK-80	GK-120
Production capacity(kg/h)	20-60	30-100
Fineness of granules(mm)	0.3-1.5	0.3-1.5
Power(KW)	7.15	14
Working pressure(KN)	198	198
Overall dimensions (L*W*H)(mm)	1540*1230*2325	1980*1500*2580
Weight(kg)	2300	3500

Add:Jiaoxi, Changzhou, Jiangsu,China.

Tel:+86 519 8898521 Fax:+86 519 88908383

<http://www.ymdrying.com> info@ymdrying.com



GZL Series Rolling Granulator

ISO9001:2008



Application

This kind of equipment can make the powder material become the granular solid. During the process, no additive

And mediate are added. After pelletizing, the grain size is even and bulk density increases. Meanwhile, it can control the pollution effecicity reduce the waste of power material. The design of it is scientific ,structure is compact, technological process is simple and operation is easy, it is an ideal for you to choose a pelletizing machine.

Working principle

Powder materials pass the vibrating material delivery bucket, after quantity fixed by cross spiral material conveyor. Evenly enter main rolling flake material bucket, so quantity of material bucket keep constant .After powder material are precompressed by the longitudinal cone spiral in the main flake bucket, they will be sent to inlets of two curve slots. Half oblate eurve slots of rhomb slots or rhomb slots evenly separate on surface of two rollers. By way of enganing and transmission of a couple of geers, two rollers revolvein opposite direction with one speed. So materials are bitten into the slots and forced to be compressed in a twinkling. After materials being compressed and forming, the pressure on them gradually reduce, Materials drop by elasticity and gravity from the slots, enter the Broken Granulating System. There they are screened and graded according to consumer' s require of particle, size. Finally you get regular particle product conforming to quality standard. Rest of screened powder can return to vibrating bucket to be used again.

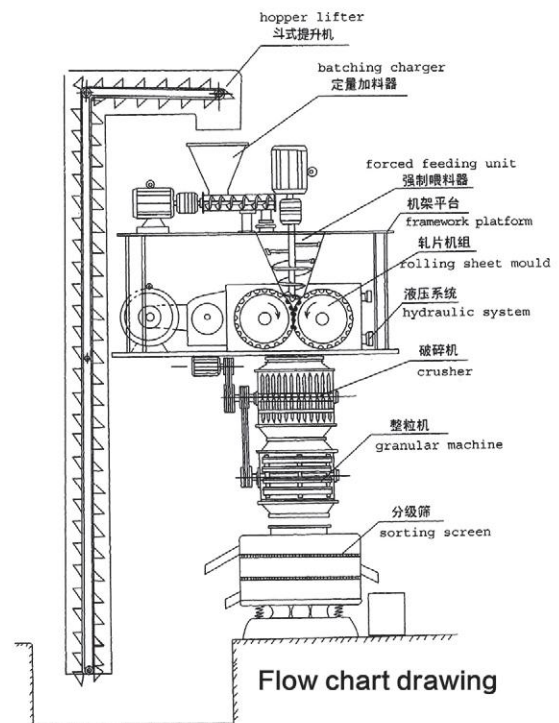
Features

Without any additive, dry powder be made to particles

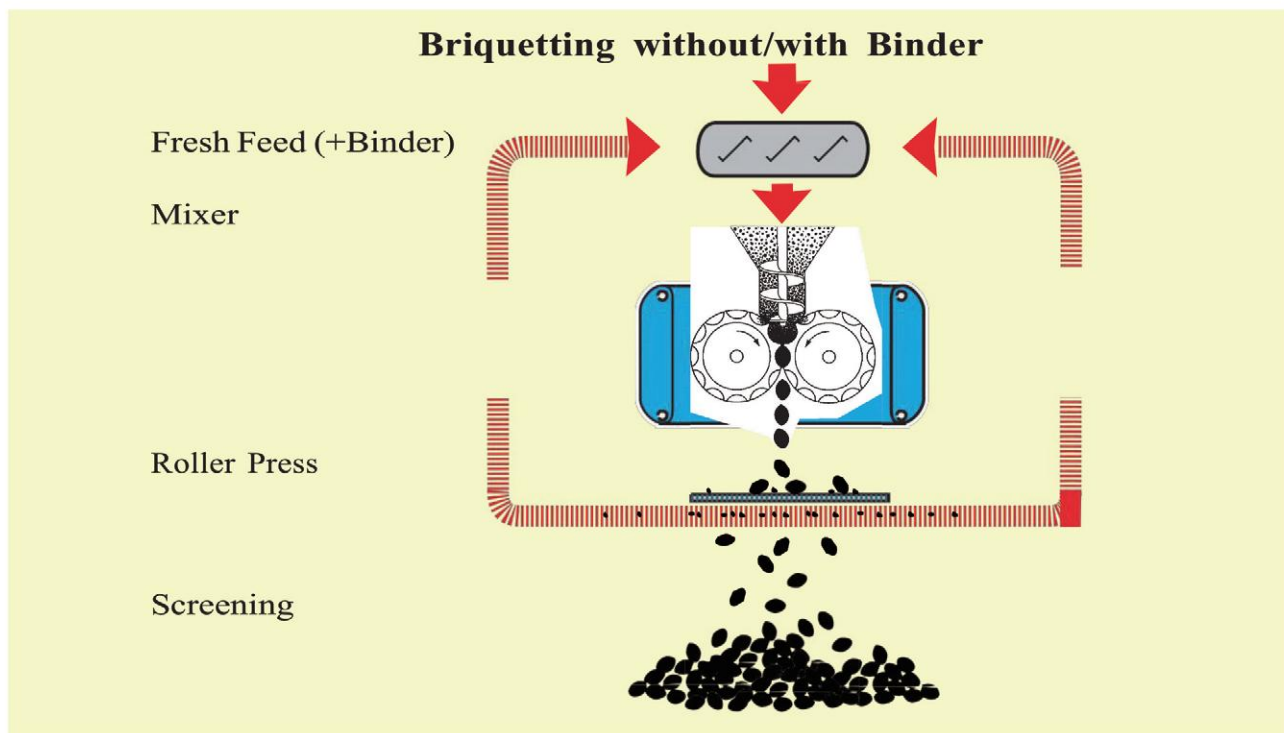
Particle intensity can be adjusted, Regulate the pressure of rollers to control intensity of product.

Operating in cycles ,working continuously.

High product output, output of one machine can be than 2000kg/h(stocking intensity 1.5



Process



Technical parameters

MODEL	GZL240	GZL360	GZL480	GZL600
Roller diameter mm	Φ 240	Φ 360	Φ 480	Φ 600
Width for use mm	80	120-150	140-200	180-250
Roller revolving speed rpm	15-32	12-30	10-25	10-25
Max forming pressure MPa	12	16	21	30
Max thickness of rolling mm	4	8	8	8
Output of rolling flake kg/h	50-400	200-1600	450-3000	1000-6000
Dia. of finished granule mm	0.5-6	0.5-6	0.5-6	0.5-6
Output capacity kg	30-180	120-800	280-1800	600-3000
Power of main engine kw	11	30	45	75
Total power kw	20	50	80	165
Overall dimension (L × W × H mm ³)	1500 × 1500 × 2800	2000 × 2000 × 4500	2500 × 2500 × 5600	3200 × 3200 × 6300
Total weight t	7	10	18	27



JZL Series Rotary Extrusion Granulator

ISO9001:2008



Application

The machine is mainly suitable for pharmaceutical industry, foodstuff industry, chemical industry, solid drink industry and so on. It can make the stirred raw material granulate the needed granule. Especially, it is suitable for raw materials that have sticky adhesive.



Granules by JZL



Granules after drying by vibrating fluid bed dryer

Features

All parts contacted with raw material in this machine are made of stainless steel. Its appearance is beauty and its structure is reasonable. Its efficiency is high and the granule is beauty. Its discharge is automatic. Therefore it can avoid damaged condition caused manual. It is suitable for in line production too.

Technical Parameters

Extension knife size mm	Grain making diameter mm	Weight kg	Motor power kw	Productivity kg/h	Overall dimension mm
250	1-3	350	3	80-200	700 × 540 × 1400
300	1-3	480	4	100-300	800 × 650 × 1400

All data for reference only. According to the material features, we have the right to change but not notice, pardon!





ISO9001:2008



SE Series Screw Extrusion Granulator

Working principle

SE series of screw type extruding pelleter include single-screw type and double-screw-type. Two models of front and side for material to be extruded out. Wet material or material with low melting point (general means < 50) after being kneaded and mixed shall be extruded out from mould plate at the head of the plant due to being conveyed and pressed by screws, and then be dried or cooled to form end products of particles so as to complete the course of changing material from powder to particle. The shape of grain is cylindrical. The diameter of end grain can be chosen and controlled by means of changing the diameter of holes in the mould plate: for side type is 0.7-2.0mm, for front type is 1.5-12mm. The rate of end product is equal to or more than 95%.



Application

The plant is widely applied to material needs granulating such as Rubber auxiliary, Food Additive, Plastic Auxiliary, Catalyzer, Agrochemicals, Dye, Pigment, daily chemicals, medicine etc.

Features

As the powder material is kept in wet state during the whole process of granulation, The working condition is greatly promoted. Flying of dust is generally reduced to over 90% of that used to be. Some phenomenon that well influent application such as curdling, framing, pulsing etc can be averted by means of granulation. As the stacking specific gravity can be increased generally, space for transporting, storing, packing can be effectively saved. As for products composed of multi-component or mixed distributed, the segregation of each component can be avoided though granulation so as to guarantee the quality of compound products.

Main technical parameters

SET Double-screw extruding pelleter			SES Single-screw extruding pelleter		
Type	Screw dia.(mm)	Driving powder (kw)	Type	Screw dia.(mm)	Driving powder (kw)
SET-60	60	3.7	SES-100	100	7.5
SET-100	100	7.5	SES-120	120	15
SET-140	140	15	SES-160	160	22
SET-180	180	30	SES-180	180	30

Add:Jiaoxi, Changzhou, Jiangsu,China.

Tel:+86 519 8898521 Fax:+86 519 88908383

<http://www.ymdrying.com> info@ymdrying.com



QZL Series Spherical Pelletizer

ISO9001:2008



Application

This machine makes damp granule into beautiful pellet by setting rotating centrifugal disk, blower, and pneumatic nozzle. Feed damp granule into rotating centrifugal disk, start fan then start rotating centrifugal disk. It can make the damp granule undertaken the action of air floating force in ring gap, rotating centrifugal strength and gravity itself, appear circle rope-turning movement and become high-degree ball shape pellet.

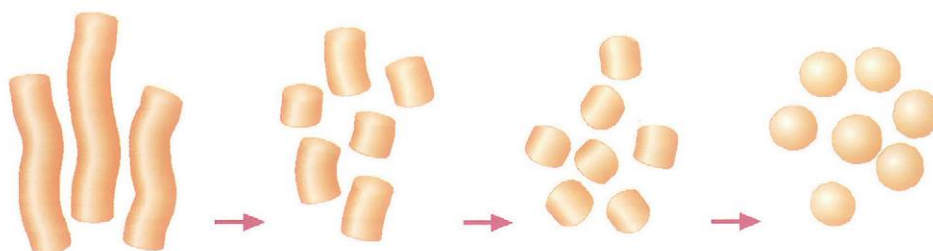
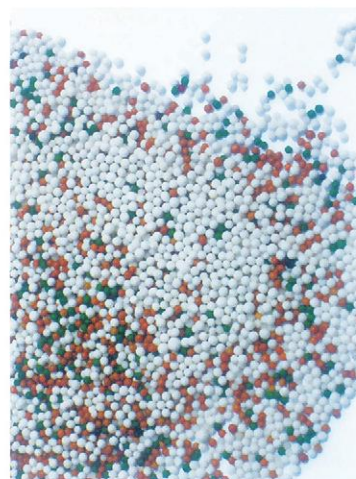


Principle

This machine makes damp granule into beautiful pellet by setting rotating centrifugal disk, blower, and pneumatic nozzle. Feed damp granule into rotating centrifugal disk, start fan then start rotating centrifugal disk. It can make the damp granule in float and circle by the air from gap, rotating centrifugal strength and itself gravity, appear circle rope-turning movement and become high-degree ball shape pellet.

Features

1. Blower controlled by inverter, pelleting fast and product beautiful
2. Rotor dish use double speed motor, made the product nice
3. Material moved in the airtight container, with no dust out, working safely



Technical Parameters

Specification	230	400	500	700	1000	1300
Power (Kw)	0.75	2.2	3	3.7	5.5	7.5
Capacity (kg/h)	2.5-4	5-8	8-16	40-80	70-150	100-300

All dates for reference only. According to the material features, we have the right to change but not notice, pardon!

http://www.CZ-YM.COM E-mail:1992@CZ-YM.COM



Add: Jiaoxi, Changzhou, Jiangsu, China.
 Tel: +86 519 8898521 Fax: +86 519 88908383
 http://www.ymdrying.com info@ymdrying.com



ISO9001:2008



YK Series Swaying Granulator

Application and features

This machine is mainly composed of pendulum roller, main body, transmission system, and tightening device of sieve. Under the action of clockwise and counter-clockwise rotating of roller, damp powder mixture will be forced to pass through sieve and then become granules. Model C is a heavy type and suitable for materials with big viscosity.

This machine is mainly suitable for pharmaceutical industry, chemical industry and foodstuff industry to make granules with different specifications. After drying, they are pressed into different kinds of shaped products. It can also be used for crush block raw material.



Technical Parameters

Model	YK-160B	YK-160C(heavy type)
Capacity(kg/batch)	100-200	150-300
Motor power(kw)	3	4
Roller rotating speed (rpm)	65	65
Pendulum Angle	360	360°
Diameter of roller(mm)	160	160
Overall dimensions(mm, L-W-H)	1150-680-1150	1260-750-1150
Weight(kg)	300	450

All data for reference only. According to the material features, we have the right to change but not notice, pardon!



ISO9001:2008



KZL Series Fast Grinding Granulator

Applications

Dry and damp granule will be uniformity and finishing.
Crushing and finishing granule of mass material.
Granulating for damp material.
Crush thermal sensitive material.

Features

When operation, it will less heat and the powder dust is less.
The sieve of stator is made of stainless steel plate. It is not easy to damage.
The gap between crushing blade and sieve can be adjusted.
Can treat material that has adhering property or is gum state, or heat and damp.

Technical Parameters

specification	100	180	300
Capacity (kg/h)	20-150	100-150	200-500
Power (kw)	0.75	1.5	3
rotating speed (rpm)	180-1400	175-1400	200-1400

All sizes are used for reference only. According to the condition of material, our factory has the right change but not notice, pardon!



SYH Series Three-dimensional Mixer

ISO9001:2008



Application

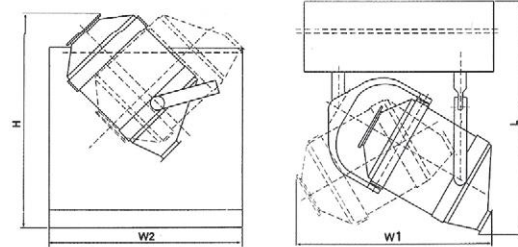
This machine is suitable for many industries such as pharmaceutical industry, chemical industry, metallurgy industry, foodstuff industry, architecture industry and institutes. It can mix powders and granules having good fluidity and make the mixed raw materials reach the best mixing state.

Features

Because the mixing drum has multidirectional motion, which makes raw materials inside the drum have many cross-mixing points, the mixing effect is good. Its degree of uniformity may be over 99.9%. its max coefficient of loading may be 0.9 (that of an ordinary mixer is 0.4 ~ 0.6). fast mixing speed and high efficiency
The design of its mixing drum is unique. Its inner wall is polished finely. No dead corner, no pollution to raw material, convenient to discharge, easy to clean and so on.

Working Principle

During the period of operation, because the mixing drum has multi-directional motions, it speeds up the fluid and diffused effect of raw material. Meanwhile it avoids the phenomenon of segregation and accumulation caused by centrifugal effect in ordinary mixers. So, It can guarantee better mixing effect.



Technical Parameters

Model	SYH50	SYH100	SYH200	SYH400	SYH600	SYH800	SYH1000	SYH1500
Volume of mixing drum (L)	50	100	200	400	600	800	1000	1500
Max loading volume (L)	40	80	150	300	450	600	750	1200
Max loading weight (kg)	25	80	150	200	300	400	500	750
Revolution of main shaft (r/min)					0~8			
Power of motor (kw)	1.5	2.2	3	4	5.5	7.5	7.5	11
Overall dimensions (mm)	600 × 1000 × 1000	1200 × 1800 × 1500	1300 × 1600 × 1500	1500 × 2200 × 1500	1850 × 2500 × 1650	1900 × 2400 × 2100	1950 × 2500 × 2400	2600 × 2500 × 2350
Weight (kg)	300	500	800	1200	1500	2000	2500	3500

All data for reference only. According to the material features, we have the right to change but not notice, pardon!



Add: Jiaoxi, Changzhou, Jiangsu, China.
Tel: +86 519 8898521 Fax: +86 519 88908383
http://www.ymdrying.com info@ymdrying.com



ISO9001:2008



EYH Series Two-dimensional Mixer

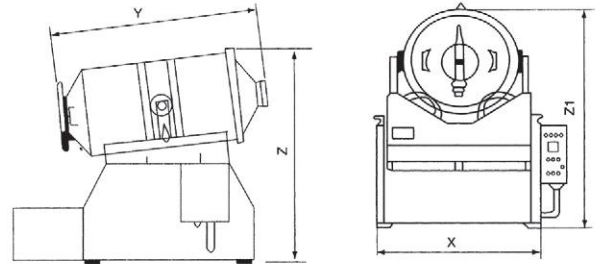
Principle of work

It mainly consists of three big parts namely, rotating cylinder, swinging rack and frame. The rotating cylinder lies on the swinging rack, supported by four wheels are driven by rotating power system to made the cylinder rotate. The swinging rack is driven by a set of crankshaft swinging bar which is mounted on the frame and the swinging rack is supported on the frame. The inner tank contain a group of fixed plates. It also mix the material together with tank rotating. Mixing during clockwise rotation of the mixing tank and discharging when counterclockwise rotation



Features

Its rotating cylinder can make two motions at the same time. One is the rotation of the cylinder and the other is swinging of the cylinder along the swinging rack. Material to be mixed will be mixed from left to right and vice versa when the cylinder is swinging. As a result of these two motions and the mixing of inner plate, materials can be mixed fully in a short time.



Technical Parameters

Model	Barrel volume(L)	Loading capacity(L)	Max Loading-Weight (kg/batch)	Times of Swing & Rotation (r/min)	Total motorpower (Kw)	Overall dimensions X × Y × Z × Z1 (mm)	Total weight(kg)	Barrel weight(kg)
EYH600	600	300	150	23.6	3	1170 × 1640 × 2050 × 1910	1150	140
EYH800	800	400	200	19.8	3	1320 × 950 × 2150 × 2000	1600	200
EYH1000	1000	500	250	19.8	3	1360 × 2040 × 2300 × 2170	1700	240
EYH1500	1500	750	375	16.2	4.4	1580 × 2400 × 2550 × 2330	2000	320
EYH2000	2000	1000	500	16.2	7.4	1740 × 2600 × 2770 × 2550	2600	430
EYH3000	3000	1500	750	13.8	11	1800 × 2900 × 2950 × 2800	3500	620
EYH4000	4000	2000	1000	12.8	13	1970 × 3300 × 3300 × 2950	4100	700
EYH6000	6000	3000	1500	11.2	18.5	2300 × 2900 × 3800 × 3100	6100	1100
EYH8000	8000	4000	2000	10.4	22	2540 × 4100 × 4050 × 3650	7900	1450
EYH10000	10000	5000	2500	9	30	2900 × 4500 × 4400 × 4020	9500	1650
EYH12000	12000	7200	3600	7	30	3050 × 4850 × 4460 × 4090	10000	1800
EYH-15000	15000	9000	4500	6	50	3100 × 5600 × 4700 × 4200	11000	2000
EYH-20000	20000	12000	6000	6	60	3600 × 6100 × 5000 × 4500	12000	2500

All data for reference only. According to the material features, we have the right to change but not notice, pardon!



FZH Series Square Cone Mixer

ISO9001:2008



Application

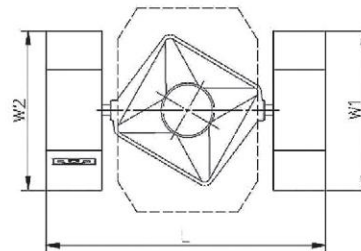
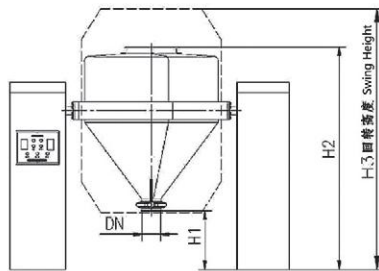
The FZH series fixed hopper mixer is mainly used for mixing solid granules, powders, and other materials in the pharmaceutical industry. It offers advantages such as smooth transmission, reliable structure, large mixing capacity, and high mixing uniformity.

Features

1. The inner wall of the hopper is smooth with no dead corners, making it easy to clean. Mixing is carried out in a fully enclosed state, enabling dust-free production and complying with GMP requirements.
2. Mixing uniformity can reach up to 99%, with a filling coefficient of 50% – 80%.
3. Process parameters such as mixing time and mixing speed can be set. Variable frequency speed control ensures smooth start and stop of the machine with no vibration.
4. The discharge valve is equipped with an anti-misoperation device, is detachable, and is easy to clean.



Technical Specifications



Model	Structural Dimensions							Volume (L)	Net Load (kg)	Mixing Speed	Machine Weight	Total Power
	L (mm)	W1 (mm)	W2 (mm)	H1 (mm)	H2 (mm)	H3 (mm)	DN (mm)			rpm	T	kw
FZH-400	2100	1450	1150	800	1900	2250	150	400	200	3-20	0.6	1.5
FZH-500	2250	1605	1250	800	2065	2405	150	500	250	3-20	0.7	2.2
FZH-600	2350	1700	1250	800	2120	2500	200	600	300	3-20	0.9	2.2
FZH-800	2500	1825	1250	800	2230	2625	200	800	400	3-20	1	3
FZH-1000	2750	1900	1250	800	2300	2700	200	1000	500	3-15	1.1	3
FZH-1200	2880	1950	1400	800	2430	2750	200	1200	600	3-15	1.2	4
FZH-1500	3000	2000	1400	800	2540	2800	250	1500	750	3-15	1.3	4
FZH-2000	3200	2350	1400	800	2680	3150	250	2000	1000	3-15	1.7	5.5
FZH-2500	3400	2500	1600	800	2840	3300	250	2500	1250	3-12	1.9	5.5
FZH-3000	3750	3050	1600	800	3000	3850	250	3000	1500	3-12	2.4	7.5

Note: The above data are for reference only. Detailed parameters are subject to the drawings.





ISO9001:2008



VH Series V-Shaped Mixer

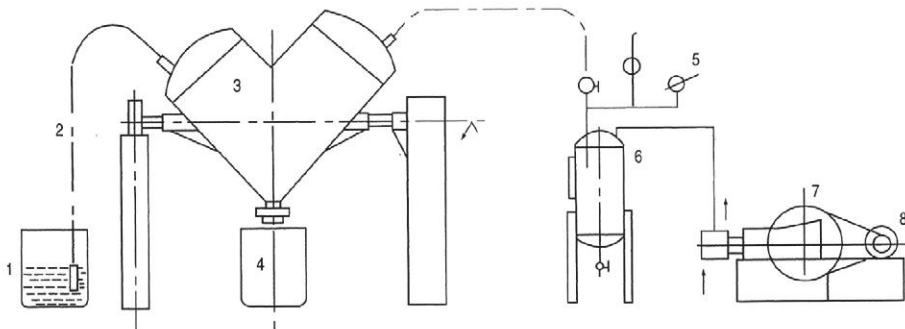
Description

This machine is suitable for mixing two or more dry and powder or granule raw materials from pharmaceutical industry, chemical industry, foodstuff industry and so on.

The structure of this machine is unique. Its mixing efficiency is high and no dead corner. It is made of stainless steel. Its inner and outer wall is processed through polishing. Its appearance is beauty. Its mixing is uniform. Its scope of application is wide. The forced stirrer can also be equipped in order to meet the requirements of raw materials that contain fine powder, cake and certain moisture as request.



The structure of this machine is unique. Its mixing efficiency is high and no dead corner. It is made of stainless steel. Its inner and outer wall is processed through polishing. Its appearance is beauty. Its mixing is uniform. Its scope of application is wide. The forced stirrer can also be equipped in order to meet the requirements of raw materials that contain fine powder, cake and certain moisture as request.



- 1. Material hopper
- 2. Feed pipe
- 3. Mixer
- 4. Discharging hopper
- 5. Vacuum gauge
- 6. Airpurification tan
- 7. Vacuum pu

Technical Parameters

Model	0.18	0.3	0.5	1.0	1.5	2.0	2.5	3.0	4.0	5.0	6.0
Product capacity (kg/h)	72	120	200	400	600	80	1000	1200	1600	2000	2400
Model of vacuum pump	W2	W2	W2	W3	W3	W3	W3	W4	W4	W4	W4
Time of raw material fed in (min)	3-5	3-5	4-6	6-9	6-10	8-13	8-15	8-12	10-15	15-20	18-25
Mixing time (min)	4-8	6-10	6-10	6-10	6-10	6-10	6-10	8-12	8-12	8-12	8-12
Total volume (m ³)	0.18	0.3	0.5	1.0	1.5	2.0	2.5	3.0	4.0	5.0	6.0
Speed of stirring (rpm)	12	12	12	12	12	12	12	10	10	10	10
Power of motor (kw)	1.1	1.1	2.2	4	4	5	7.5	7.5	1	15	18.5
Rotating height (mm)	1580	1760	2400	2840	3010	3240	3680	3700	4350	4800	5300
Weight (kg)	280	320	550	950	1020	1600	2040	2300	2800	3250	3850

Note: all loading coefficient is usually 0.4~0.6. The capacity listed above is based on loading coefficient 0.5 and specific gravity of raw material 0.8g/cm³

Add: Jiaoxi, Changzhou, Jiangsu, China.
 Tel: +86 519 8898521 Fax: +86 519 88908383
<http://www.ymdrying.com> info@ymdrying.com



VI Series forced-Mixing Mixer

ISO9001:2008



Description

This machine can mix fine powder, caked or two more powder raw material ,raw material containing certain moisture. particularly it can also mix raw material that needs to add small amount of additive and satisfied mixing result is also needed.



Technical Parameters

Type	capacity (kg/ batch)	Total volume (m3)	Mixing time (min)	Power (kw)	Rotating speed(r/m in)	Stirring speed(r/min)	Overall dimension(mm)	Weight (kg)
VI 180	60	0.18	2-5	1.1/2.2	12	300	1730-700-1580	320
VI 300	80	0.3	4-10	1.1/2.2	12	300	1730-700-1580	360
VI 500	130	0.5	1-10	1.1/2.2	12	300	2660-1250-2400	600
VI 1000	240	1	6-10	3/2.2	12	300	3220-1500-2840	1000



ISO9001:2008



SZH Series Double Cone Mixer

Application

It is suitable for mixing the powder and grain state material in the pharmacy, chemical food, building material and other industries.

Features

- 1.Through the vacuum conveyor for the machine, send the powder or grain state materials into the double-taper container, or send the materials into the container manually.
- 2.As the container rotates continuously, the materials moves complexly in the container so as to get the uniform mixing.



Technical Parameters

Type	500	1000	1500	2000	2500	3000	4000
Totalvolume(m3)	500	1000	1.5	2.0	2.5	3.0	4.0
capacity(kg/batch)	100	200	300	400	500	600	800
Mixing time(min)	6-10	6-10	6-10	6-10	6-10	6-10	6-10
Speed(rpm)	12	12	12	12	12	7.8	7.8
Power(kw)	2.2	4	4	7.5	7.5	7.5	11
Dim(mm)	1910 × 800 × 1940	2765 × 1500 × 2370	2960 × 1500 × 2480	3160 × 1900 × 3500	3386 × 1900 × 3560	4450 × 2200 × 3600	4750 × 2500 × 3680
Rotation height(mm)	1950	2460	2540	3590	3650	3700	3730
Weight(kg)	550	810	980	1500	2150	2500	3200





ISO9001:2008



DZH Series Twin-screw Cone Mixer

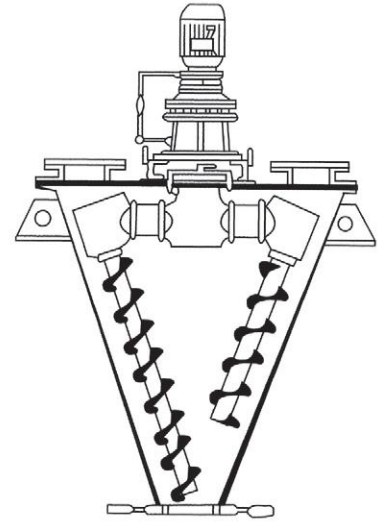
Applications

This machine is a new style mixing equipment with high efficiency and accuracy. Particularly, it is suitable for raw materials which have large difference in specific gravity and large ratio of formulation.

It is widely suitable for pharmaceutical industry, chemical industry, feedstuff industry to mix all kinds of raw materials.

Features

1. The rotation and revolution of machine is finished through a set of motor and cycloidal needle wheel reducer.
2. Being adapted two screws to carry out stirring asymmetrically, it makes the stirring scope of raw material wide and the mixing is uniform better and quickly.
3. All parts that can be contacted with raw material in this machine are made of stainless steel.



Technical Parameters

Model	capacity (k/time)	Total Volume (M3)	Loading coefficient	Bulk-density	Rawmaterial-size(mesh)	Power (kw)	Mixing-time (min)	Dimensions (mm)	Weight (kg)
DSH - 0.2	95	0.2	0.6	- - 0.8	20- - 250	2.2	6- - 10	φ890 × 1850	600
DSH - 0.5	190	0.5	0.6	- - 0.8	20- - 250	2.2	6- - 10	φ1160 × 2250	800
DSH - 1	380	1	0.6	- - 0.8	20- - 250	4	8- - 10	φ1450 × 2700	1200
DSH - 2	720	2	0.6	- - 0.8	20- - 250	5.5	8- - 10	φ1850 × 3450	1800
DSH - 4	1400	4	0.6	- - 0.8	20- - 250	11	8- - 10	φ2260 × 4210	2500
DSH - 5	2400	5	0.6	- - 0.8	20- - 250	15	8- - 10	φ2578 × 4566	3400
DSH - 6	2880	6	0.6	- - 0.8	20- - 250	18.5	8- - 10	φ2710 × 4782	3550
DSH - 8	3840	8	0.6	- - 0.8	20- - 250	18.5	8- - 10	φ2950 × 5392	3700
DSH - 10	4800	10	0.6	~ 0.8	20- - 250	22	8- - 10	φ3168 × 5735	3950

Add: Jiaoxi, Changzhou, Jiangsu, China.

Tel: +86 519 8898521 Fax: +86 519 88908383

<http://www.ymdrying.com> info@ymdrying.com



WLDH Series horizontal Ribbon Mixer

ISO9001:2008

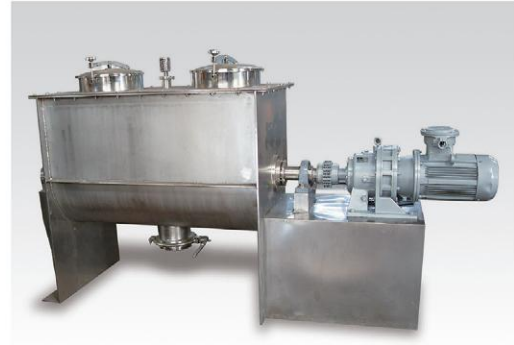


Applications

The ribbon mixer is generally used in the mixing of viscous or adhesive powder material, or the mixing of powder which needs to add liquid, and paste material. Meanwhile, because it is difficult to clean viscous material, the material is suitable for the mixing case where the output is large and there is no need of displacing material variety frequently.

Principle of work

This machine is composed of container, screw stirring paddles and transitional parts; the screw paddle are generally made into 1 layer or 3 layers, the outer screw converge is the material to the centre from two sides, and the inner layer of screw conveys the material to the two sides from the centre, so as to from convection mixing, the cubage can be made into rotundity, so the jacket can be played in reaction and drying. And the materials is thrown and sprinkled by the rotating flying cutter at a high speed when it flows through the flying cutter, thus the material is mixed evenly in a shorter time.



Features

- 1.large mixing capacity..small occupied area
- 2.High efficient, fast speed of mixing.
- 3.when mixing material viscous or adhesive powder material, it may be hard to clean. So, it is more suitable for no need of displacing material variety frequently.

Technical Parametes

Model	Volumem ³	InputcapacityL/batch	Totalpowder(kw)	Weight (kg)	Overalldimension(mm)
WLDH-0.1	0.1	30-50	3	300	1190 × 740 × 770
WLDH-0.3	0.3	100-150	4	500	2030 × 630 × 980
WLDH-0.5	0.5	200-300	7.5	900	2320 × 730 × 1130
WLDH-1	1	400-600	11	1400	2800 × 920 × 1320
WLDH-1.5	1.5	600-900	11	1900	3180 × 1020 × 1550
WLDH-2	2	800-1200	15	2500	3310 × 1120 × 1640
WLDH-3	3	1200-1800	18.5	3100	3750 × 1290 × 1820
WLDH-4	4	1600-2400	30	3600	4220 × 1400 × 1990
WLDH-6	6	2400-3600	37	5300	4700 × 1610 × 2260
WLDH-8	8	3200-4800	45	6800	4420 × 2150 × 2470
WLDH-10	10	4000-6000	55	8900	



Add:Jiaoxi, Changzhou, Jiangsu,China.

Tel:+86 519 8898521 Fax:+86 519 88908383

http://www.ymdrying.com info@ymdrying.com



ISO9001:2008



CH Series Trough Mixer

Description

CH Series mixer is widely suitable for mixing powder or damp material and make primary and auxiliary raw material can be mixed uniformly. All parts that can be contacted with raw material are made of stainless steel. The gap between oar-blade and drum body is small. When mixing, there is no dead corner. At both ends of stirring shaft, it is installed seal device. Therefore it can prevent from raw material leaking out. It is wide used for pharmaceutical industry, chemical industry, foodstuff industry and so on.



Technical Parameters

Model	Total volume(L)	Capacity(kg/batch)	Stirring speed (r/min)	Mix power(kw)	Discharge Power(kw)	Overall dimensions(mm)
150	150	30	24	3	0.55	1360 × 540 × 1100
200	200	40	24	4	0.55	1460 × 600 × 1200
300	300	60	24	4	1.5	1900 × 750 × 1300
500	500	120	20	5.5	2.2	2150 × 860 × 1560
750	750	150	19	7.5	2.2	2300 × 1260 × 800
1000	1000	270	19	7.5	3	2500 × 1300 × 860
1500	1500	400	14	11	3	2600 × 1400 × 940
2000	2000	550	12	11	4	3000 × 1500 × 1160
2500	2500	630	12	15	4	3500 × 1620 × 1250
3000	3000	750	10	18.5	5.5	3800 × 1780 × 1150



ISO9001:2008



GHJ Series High Speed Mixer

Work principle

GHJ Vertical High Speed Mixer consists of the feeding blades at bottom and high speed crushing blades. The blades at bottom make the material raise along the wall of mixing tank continuously and the high speed crushing blades crush the material. It makes the material circulating as vortex shape, and mixed uniformly in a short time.



Technical parameters

Name	Working volume(L)	Total power	weight	Overall dimension
GHL-350	350	13.2	600	1500x1090x1200
GHL-600	600	17.2	900	1500x1090x1300

Add: Jiaoxi, Changzhou, Jiangsu, China.

Tel: +86 519 8898521 Fax: +86 519 88908383

http://www.ymdrying.com info@ymdrying.com



B-X Series Universal Grinder

ISO9001:2008



Description

1. B-X grinder consists of feed port, grinding chamber, final powder collector chamber and ESC dust collector. It solves the problem, i.e. the dust is flying during the period of crushing raw material.
2. Full machine made of stainless steel and are in conformity with requirements of GMP.



Technical Parameters

Model	20B-X/20B	30B-X/30B	40B-X/40B	50B-X/50B
Capacity (kg/h)	60-150	100-300	160-800	500-1500
revolution of spindle (r/min)	4500	3800	3400	3400
Size of fed material (mm)	6	10	12	12
Size of Grinded material (mesh)	60-120	60-120	60-120	60-120
Size of Grinding Motor (kw)	4	5.5	11	11
Power of Dust-catching Motor (kw)	1.5	1.5	1.5	1.5
Overall Dimensions (L x W x H) (mm)	1100 x 600 x 1650	1200 x 650 x 1650	1350 x 700 x 1700	1550 x 800 x 1800
	550 x 600 x 1650	600 x 650 x 1650	850 x 700 x 1700	100 x 800 x 1800

Notes: the output listed in table will be different with different raw material, for reference only. We have the right to change but not notice, pardon!

PSJ Series Hammer Type Crusher

Principle of Structure and Its Function

The crushing is realized through the shearing action between rows of knives and grind on the double shaft. It makes filtering cake raw material caused by damp to crush. The crushing size can be adjusted through control revolution of double shafts. This machine is suitable for crushing incompact and raw material. It provides the first procedure to dry and crush raw material.



Technical Parameters

Specification	Power (kw)	Speed of shaft (r.p.m)	Output(kg/h)	Weight(kg)
PSJ-500	1.5	20-600(adjustable)	200-500	500

Notes: the output listed in the table will be different with different raw material, for reference only.

CSJ Series Coarse Crusher

Application

It is used in pharmacy, chemistry, metallurgy, and food and constructure industry. It can be used for processing the hard crushing materials, such ad plastics, brass wires, and Chinese herbal medicine and rubber, etc. Besides, it can be used as auxiliary equipment for micro pulverizer and super-micro pulverizer.

Technical Parameters

Type	CSJ-250	CSJ-500
Feed particle size	≤ 100	≤ 100
Material particle size	0.5-20	0.5-20
Spindle Speed	940	1000
Power	4	11
Yield	50-300	80-800
Size	860 x 650 x 1020	1120 x 1060 x 1050



Add: Jiaoxi, Changzhou, Jiangsu, China.

Tel: +86 519 8898521 Fax: +86 519 88908383

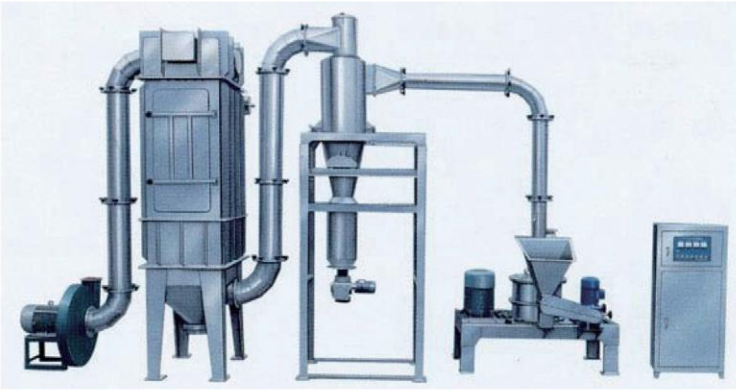
<http://www.ymdrying.com> info@ymdrying.com



ISO9001:2008



WFJ Series Micro Pulverizer



Description

It consists of three parts i.e main machine, auxiliary machine and control system. Compact and reasonable structure, using air to chose and no sieve or screen. Grading mechanism inside ,crushing and grading is finished at the same time. Negative-pressure feeding make heat created by grinding work exhaust rapidly, so also suitable for thermal sensitive material. wide application, continuous productive process and finished granules size can be adjusted, suitable for materials such as chemicals, foodstuff ,medicines, cosmetic, dyestuff, resin, shell materials and so on.

Working prinple

Material in hopper is pushed toward to grinding chamber by screw feeder(speed is adjustable) and the function of negative pressure, suffering cutting and impact from grinding knife, and high-frequency vibration created by air flow. Grinded material comes into grading wheel under the function of Up air flow. Powder is effected by aerodynamic and centrifugal force generated from rotate on of grading wheel. When aerodynamic smaller than centrifugal force, powder larger than grading size is throw into taper sleeve, back to grinding chamber, and continues to be grinded. Eligible powder come to collecting duct and discharged from auxiliary machine.



Technical Parameter

Model	WFJ-15	WFJ-18	WFJ-36
Capacity(kg/h)	10-200	20-450	60-1000
Size of raw material to be fed(mm)	<10	<12	<15
Size of raw material to be discharged(mesh)	80-320	80-450	80-450
Total power(kw)	13.7	19.07	38.5
Rotating speed(r/min)	4500	4480	4000
Overall dimension(LXWXH)mm	5410X1660X2500	5500X1800X3100	9000X2200X4000

Add:Jiaoxi, Changzhou, Jiangsu,China.

Tel:+86 519 8898521 Fax:+86 519 88908383

http://www.ymdrying.com info@ymdrying.com



ZS Series Round Vibrating Sieve

ISO9001:2008



Applications

1.This machine is a high-effective sieving equipment used widely in china now. It adapts the principle of vibration to realize the sieving of plenty of raw materials. ZS vibration sieve is suitable for in-line production. It is an ideal device for granules that has uneven size continuously.

2.It is widely used for metallurgy industry, chemical industry, pharmaceutical industry, grain industry and so on.



Technical Parameters

Model	Production capacity(kg/h)	Mesh	Power	Rotation speed	Overall dimension	Weight
ZS-365	60-500	12-200	0.55	1380	540 × 540 × 1060	100
ZS-515	100-1300	12-200	0.75	1370	710 × 710 × 1290	180
ZS-650	180-2000	12-200	1.50	1370	880 × 880 × 1350	250
Sieven normal diameter	800mm			1000mm		1500mm
Output (kg/h)	250-3500			300-4000		350-4500
Quantity of shif out (mesh)	5-325			5-325		5-325
Vibration frequency	1500HZ			1500HZ		1500HZ
Power (kw)	1.5			1.5		2
Overall dimensions (mm)	900 × 900 × 1200			1100 × 1100 × 1200		1600 × 1600 × 1200



ISO9001:2008



FS Series Vibrating Sieve

Descriptions

FS series square sieve is new sieving equipment researched, developed and manufactured by our factory in 1999. Because of its unique characteristics, i.e. high effective, saving energy, low noise and so on, customers love it deeply. It is widely suitable for sieving raw material continuously in pharmaceutical industry, chemical industry, foodstuff industry and so on. 1-4 layers of sieve can be installed in accordance with the requirements of customers.



Technical parameters

Type	Power(kw)	Layers	Sieved Mesh	Overall dimension (mm)	Weight (kg)	Capacity(kg/h)
FS0.6X1.5	0.4	1-4	6-120	1500 × 700 × 700	550	150-1500
FS0.6X2.0	0.4	1-4	6-120	2100 × 750 × 780	650	160-2000

Notes: The capacity is for reference only because of the difference of material features and mesh size



Add:Jiaoxi, Changzhou, Jiangsu,China.
Tel:+86 519 8898521 Fax:+86 519 88908383
<http://www.ymdrying.com> info@ymdrying.com



ISO9001:2008



YIMIN DRYING

Feedback Form of Customers for Model Selection

Please fill the form in detail so that our company can provide best recommended model

Company: _____ Contact person _____ Post _____
 Address: _____ Tel: _____ Fax _____
 Email _____ Date _____

- Shape of raw material to be dried
 Micro powder Powder Granule Block Flake Fabric form
 Filter cake Mushy Paste Liquid
- Primary moisture of raw material _____%, Final moisture of finished product _____%, PH value _____
 Melting point _____°C, Max withstand Temp. of raw material _____°C, Bulk density of raw material _____
- Main ingredient of liquid _____
- Existed form of moisture: Surface water Crystal water
- Fineness of finished product _____ Mesh, Bulk specific gravity of damp product _____
 Bulk specific gravity of finished product _____
- Relative other characteristics of raw materials.
 Viscosity Thermal sensitive Softening point Transition point Causticity(PH value)
 Peculiar smell Inflammability Explosion hazard Electric static
 Gas permeability Constipate Comminuted of crystal or granule
- Requirements of capacity: Damp product _____ kg/hour or dried finished product _____ kg/hour.
- Whether the granule can be damaged Yes No
- The original dry method of raw material of dry method of similar products _____
- Requirements of drying method: Continuous drying Drying in batch
- Heat source to be supplied Electricity Steam Hot water Heat conduction oil
 Gas fuel furnace Coal fuel furnace Oil fuel furnace
- Required material for manufacturing equipment when selection

- Requirements of environmental protection and requirement of yield

- Field to be installed _____
- Other requirements _____



Warning: All equipment described in this manual is strictly prohibited from being used in flammable or explosive environments, or for producing flammable or explosive products, without formal authorization from our company.

Our company reserves the right to change any information contained in this manual at any time without prior notice.

Copyright © Changzhou Yimin Drying Equipment Co., Ltd.

This manual (including original design documents and finished product presentations) is the property of Changzhou Yimin Drying Equipment Co., Ltd. and is protected by copyright laws. Any reproduction, modification, commercial use, or other unauthorized use is strictly prohibited without written permission.



CHANGZHOU YIMIN DRYING EQUIPMENT CO.,LTD

JIAOXI INDUSTRY PARK, CHANGZHOU CITY, JIANGSU PROVINCE, CHINA. P.C.213116.

Tel: 86-519-88908521 86-519-88902849

Fax: 86-519-88908383 86-519-88903727

International Business:86-519-88908521

After-sales:86-519-88900615

<http://www.ymdrying.com>

Email:info@ymdrying.com

