



 国盛机械
GUOSHENG



GS-B480H



双系统双机头，最长可达120英寸。根据织物宽幅，编织宽幅时机头合并为四系统编织窄宽幅时机头分开，二个机头同时编织二个织物，提升效率。

Double system double carriages, up to 120 inch. According to the width of the fabric, when knitting wide fabric, machine carriages will be combined into four system. When knitting narrow fabric, machine carriages will be separated.

可做绞花，翻针，吊目，提花，挑孔等多种花样

Woven twisted flowers, transfer, tuck, jacquard, miss.

双罗拉装置确保宽幅织物的牵拉。

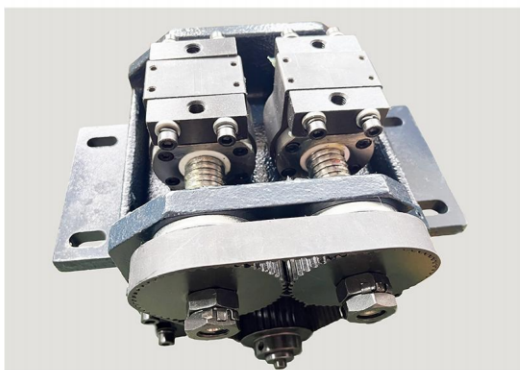
Two carriages can knit two fabrics at the same time to improve efficiency.



可做绞花，翻针，吊目，提花，挑孔等多种花样。
Woven twisted flowers, transfer, tuck, jacquard, miss.



双系统双机头，最长可达120英寸。根据织物宽幅，编织宽幅时机头合并为四系统，编织窄宽幅时机头分开，二个机头同时编织二个织物。
Double system double carriages, up to 120 inch. According to the width of the fabric, when knitting wide fabric, machine carriages will be combined into four system. When knitting narrow fabric, machine carriages will be separated.



双罗拉装置确保宽幅织物的牵拉。
Two carriages can knit two fabrics at the same time to improve efficiency.



送纱装置，多股进纱减小阻力，进纱张力均匀。增加防缠绕装置有效解决纱线缠绕烦恼。
Yarn feeding device, multi strand feeding to reduce resistance, and uniform feeding tension. With anti-winding device to effectively reduce yarn winding.

产品参数

型号	GS-B480H
针距	3G、3.5G、5G、3/5/7G、7G、8G、9G、10G、12G、14G、16G
纺织系统	双系统 双机头
编织宽度	80英寸、100英寸、110英寸、120英寸
编织速度	最高速度1.4m/s
编织功能	紧吊目、翻针、吊目、挑孔、提花等花型编织。
线圈密度	步进马达控制，128段密度选择，采用细分技术可调范围：可调范围0-650。
针床移位	采用AC伺服马达控制，移针范围达2英寸，同时具有微调功能。
传动方式	同步带传动，伺服电机控制。
选针装置	电磁铁选针机构，采用电脑控制，达到稳定高效选针。
换色系统	16把纱嘴配置在4根导轨的左右两侧，可在针床任何位置换纱。
卷布系统	电脑程序指令，步进马达控制，128段拉力选择，可调范围0-100。
保护系统	当机器在运转过程中出现断纱、结头。浮纱、倒卷、片数结束、移床未归、撞针等情况，自动提示并停机。
控制系统	1、采用LCD 显示屏，USB输入，内存256M，可同时存入大量花型文件。2、控制画面可显示各种工作参数，并在机器运转时进行调整，使操作更加简便。3、制版系统简单易懂，操作方便。4、多语言版本，支持 中英文等多国语言。
电源	单相220V，在停电瞬间具有记忆功能。

PRODUCT PARAMETERS

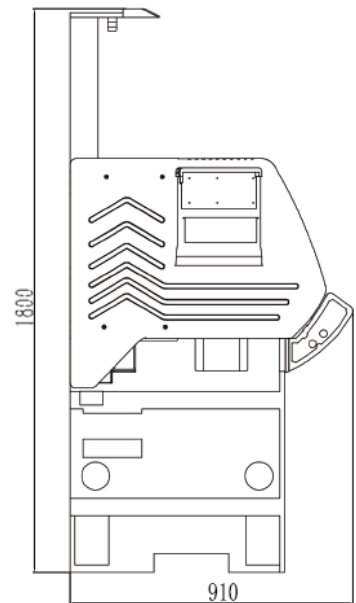
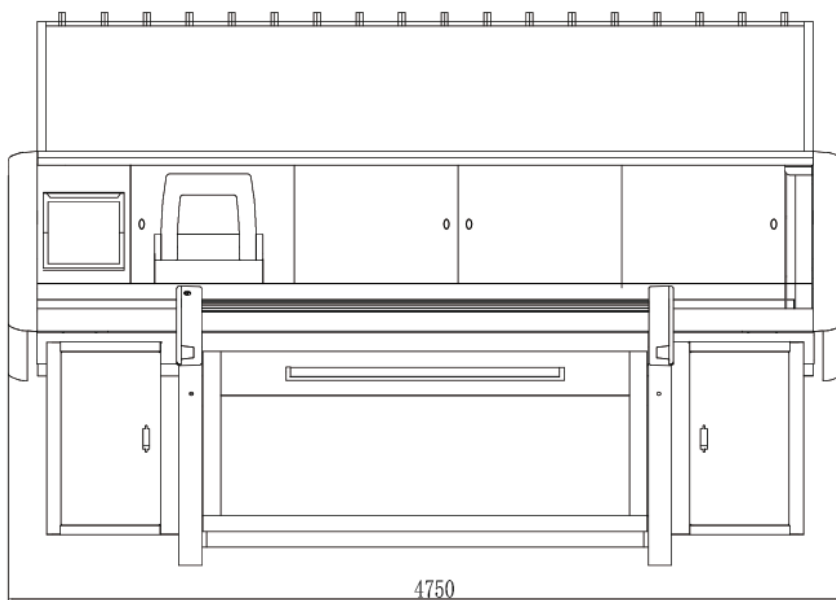
Model	GS-B480H
Gauge	3G、3.5G、5G、3/5/7G、7G、8G、9G、10G、12G、14G、16G
Knitting System	Double System,Double Carriage
Knitting Width	80、100、110、120 Inch
Knitting Speed	Max 1.4m/s
Knitting Function	Tight tuck,transfer,tuck,miss,jacquard.
Stitch Density	Stitch system controlled by stepping motor,128 section stitch selectable,adjustable scope supported by subdivision technology:0-650.
Racking	Controlled by AC servo motor,racking within 2 inches and with fine adjusting function.
Drive System	Synchronous belt drive,AC servo system.
Needle Selection	Controlled by computer,electric magnet needle choose system with high efficiency. reducing yarn waste.
Yarn Carrier	16 yarn carriers on each side of 4 guide rails,shiftable on any needle position.
Take Down Roller	Programmed instruction controlled by stepping motor,128 section levels selection adjustable area:0-100.
Protection System	The machine will automatically prompt and stop if yarn breaking,float yarn,rewind ,end of knitting ,ail of racking, needle breakage.
Control System	1, Adopt LCD screen,input device:USB,system memory 256MB,a great amount of design files canbe stored. 2,Monitoring menu,each kind of operating parameter,can be shown,and they can be adjusted at any time when the machine is running, 3,Design system is visual and easy to understand and upgrad, 4,Nulti language version,there are chinese,english etc.
Power	220V, single-phase,have memorizing function at the power-off moment.

由于我们的产品保持不断的改善和发展，所以未能能及时预告最新资讯，请向本公司咨询最新资料，部分型号支持定制。

Because of the improvement and development of products,we reserve the right to change technical data.Please contact us for the latest information, some of models are supported for customization.



GS-B480H



注：以上尺寸适用于80英寸英寸机器
Note: Above dimension is applicable to 52 Inch machines

常熟市国盛针织机械厂
Changshu Guosheng Knitting Machinery Factory

常熟市碧溪新区许浦浦江路46号
No.46,Pujiang Road,XuPu Town,BiXi Newly Area,Changshu,Jiangsu,China.

电话：0512-52690511
TEL：0512-52690511

