



DDK TECH

鼎凯科技

SOLAR BENCH

SOLAR TREE

SOLAR TUBE

ALUMINIUM POLE

LAWN LIGHTS

鼎凯电气科技扬州有限公司

DDK TECH ELECFACILITY CO., LTD

PROCUREMENT SUPPLIER&MANUFACTURER

www.cnddk.net

www.ddktech.cn

TEL:008618811954888

008615852852688

ADD:Guoji, Gaoyou, Jiangsu, PR.China



D D K Tech Elecfacility Yangzhou Co., Ltd. is a procurement public equipment factory which manufactures kinds of steel light poles, steel traffic and camera poles, high mast, pole tower, smart street lights, high pressure sodium road lights, L E D street lights ,integrated solar pole lights, solar L E D street lights, aluminium profile garden poles, smart solar benches, solar tree.

As the outdoor poles and lights procurement factory, D D K tech elecfacility also supply one -station kinds of street furniture such as outdoor solar light box, solar bus shelter.

Our factory is located in Huxi high tech industry zone Gaoyou city Jiangsu province, taking advantage of the lighting area and local technology, D D K tech use the hetero-juction with intrinsic thin-layer to produce and supply customer sized outdoor solar products such as solar all in one L E D light, integrated wrap solar light pole ,solar landscape tree to meet the public lighting and landscape demands .



CUSTOMER CASE

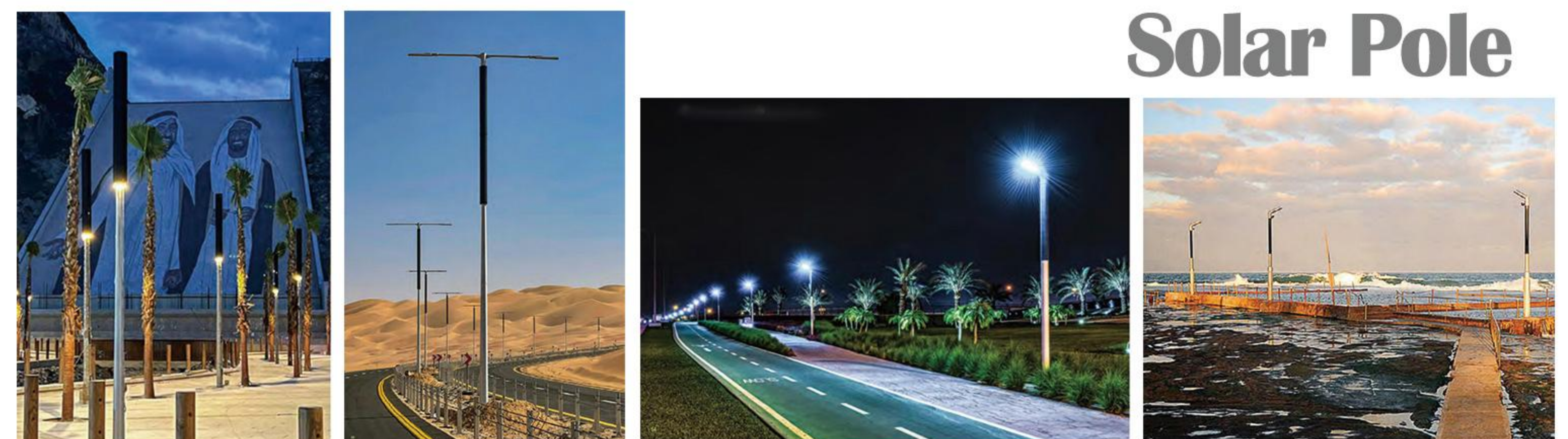
Solar Bench



Solar Tree



Solar Pole





鼎凯电气科技扬州有限公司
DDK TECH ELECFACILITY CO., LTD



SOLAR BENCH



High conversion rate 15%-24%
Folding available



Fully charged within 0.5H
Waterproof



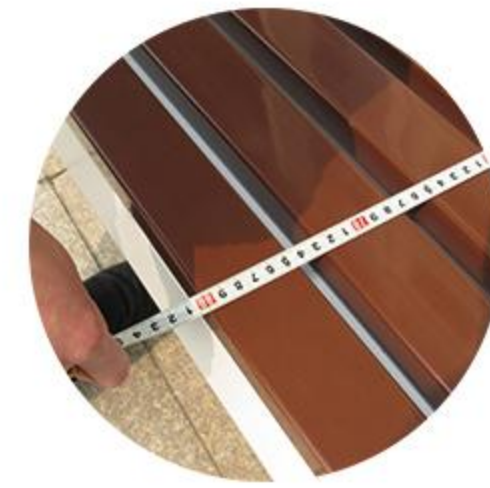
High speed internet access
Waterproof



First class tone quality
Waterproof



DDK-2000A



Large Seating Area



High-efficiency Solar Panel

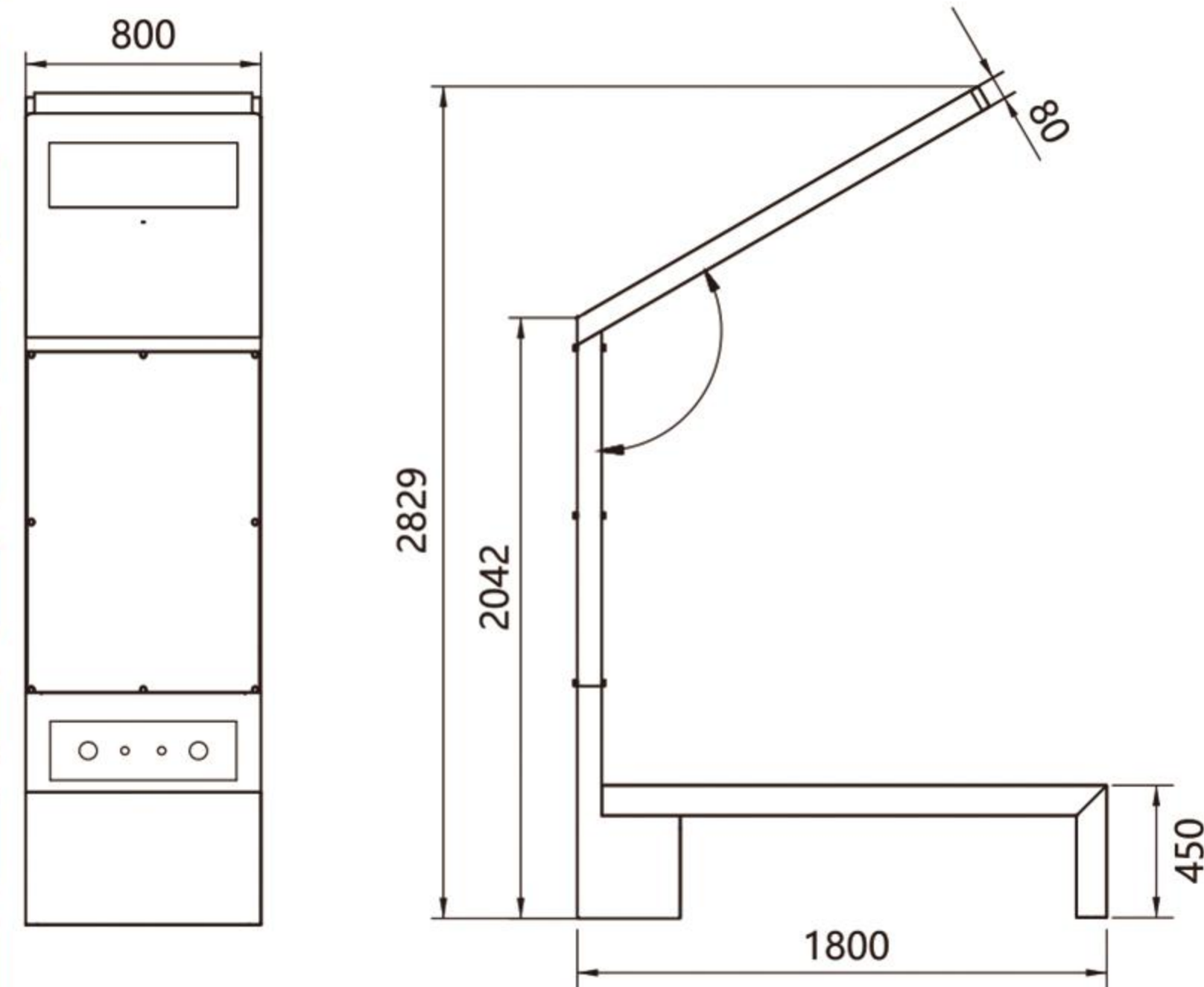


USB/Wireless Charging



Body Induction Lights

- Solar Panel 180W
- Battery 100Ah or as request
- USB 2pcs 5V/2.1A
- Internet 4G router
- LED Light 12V/10W
- Light Box 800*1200mm
- Bluetooth Speaker 5/12V
- 50Hz-18KHz
- Solar Controller 12/24V 50W



Related Models



DDK-2000B



DDK-2000D



鼎凯电气科技扬州有限公司
DDK TECH ELECFACILITY CO., LTD



SOLAR BENCH



High conversion rate 15%-24%
Folding available



Fully charged within 0.5H
Waterproof



High speed internet access
Waterproof



First class tone quality
Waterproof

DDK-2010A



Comfortable backrest



High-efficiency Solar Panel



Wireless Charging



Body Induction Lights



Solar Panel 100W

Battery 70Ah or as request

USB 2pcs 5V/2.1A

Wireless Charging 2pcs 5V/2.1A

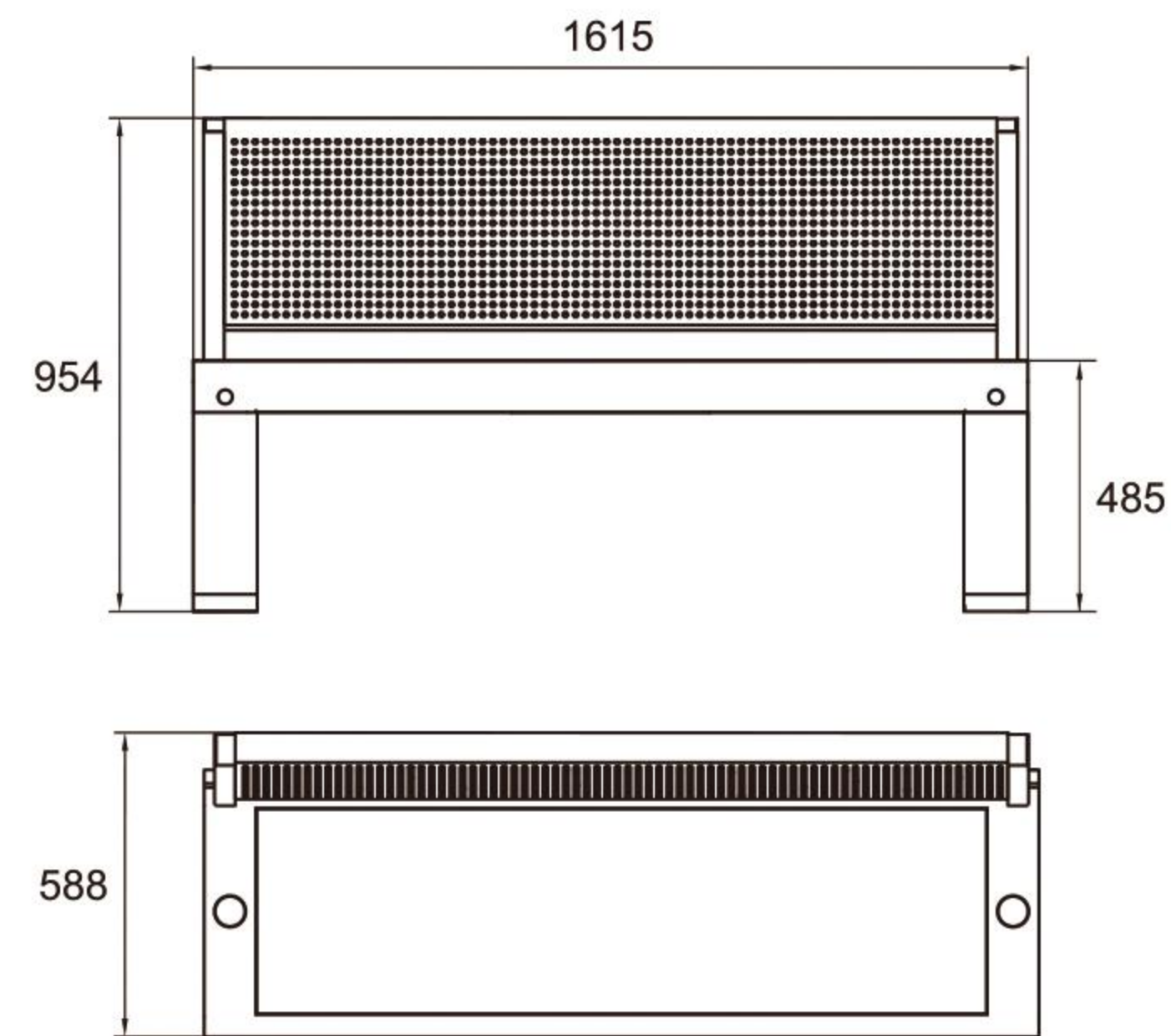
Internet 4G router

LED Light 12V/10W

Bluetooth Speaker 5/12V

50Hz-18KHz

Solar Controller 12/24V 50W



Related Models



DDK-2010B



DDK-2010C



DDK-2010D



鼎凯电气科技扬州有限公司

DDK TECH ELECFACILITY CO., LTD



High conversion rate 15%-24%
Folding available



Fully charged within 0.5H
Waterproof



High speed internet access
Waterproof



First class tone quality
Waterproof

SOLAR BENCH

DDK-2020



DDK-2020C



Customized Colors



High-efficiency Solar Panel



DDK-2020D



Wireless Charging



Body Induction Lights

Solar Panel 100W

Battery 70Ah or as request

USB 2pcs 5V/2.1A

Wireless Charging 2pcs 5V/2.1A

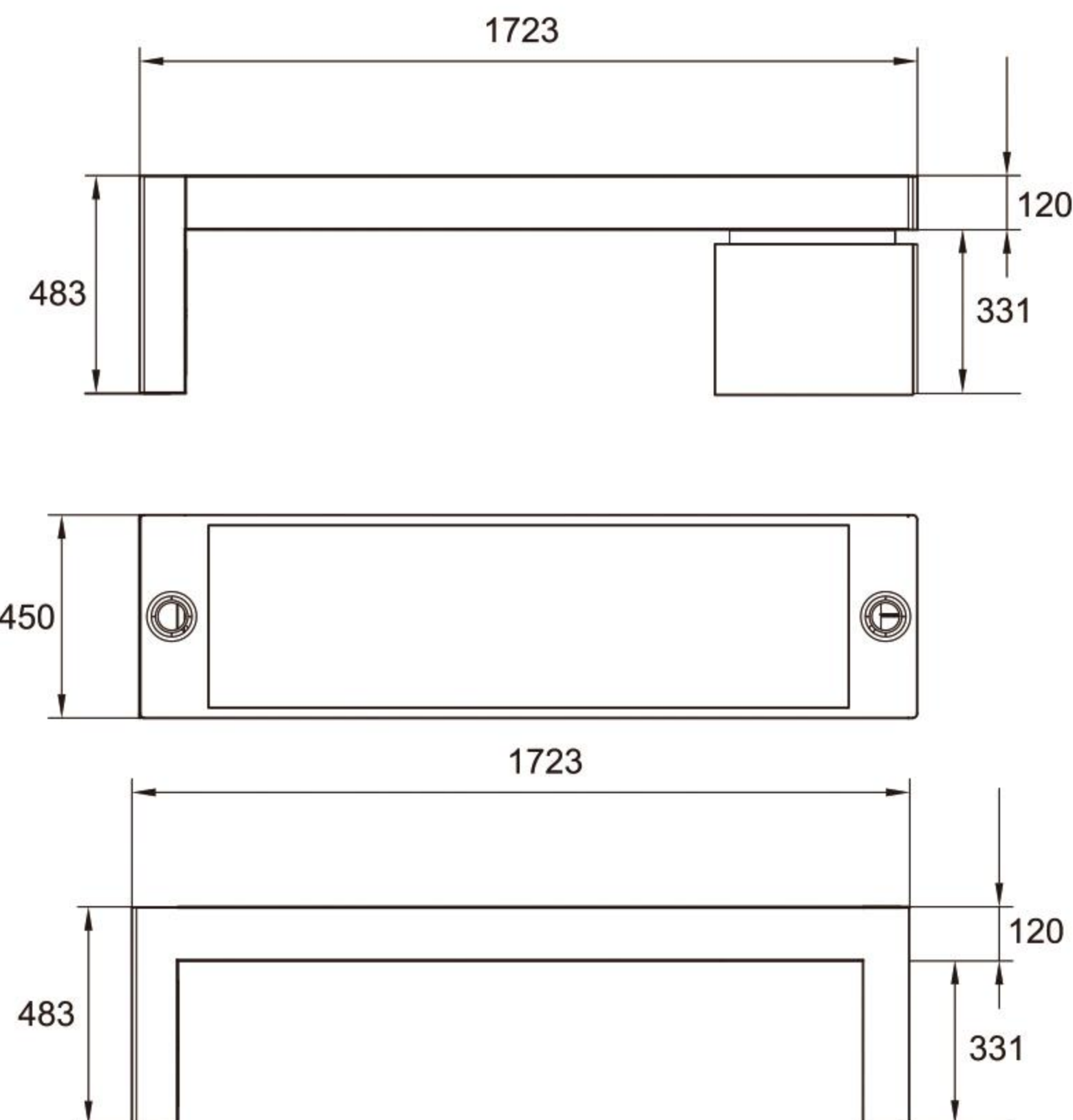
Internet 4G router

LED Light 12V/10W

Bluetooth Speaker 5/12V

50Hz-18KHz

Solar Controller 12/24V 50W



Related Models



DDK-2020A



DDK-2020B

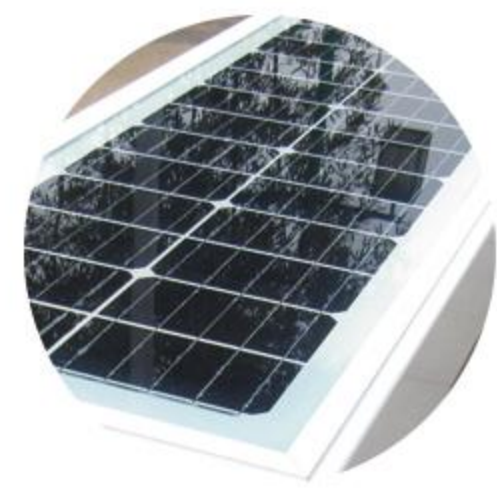
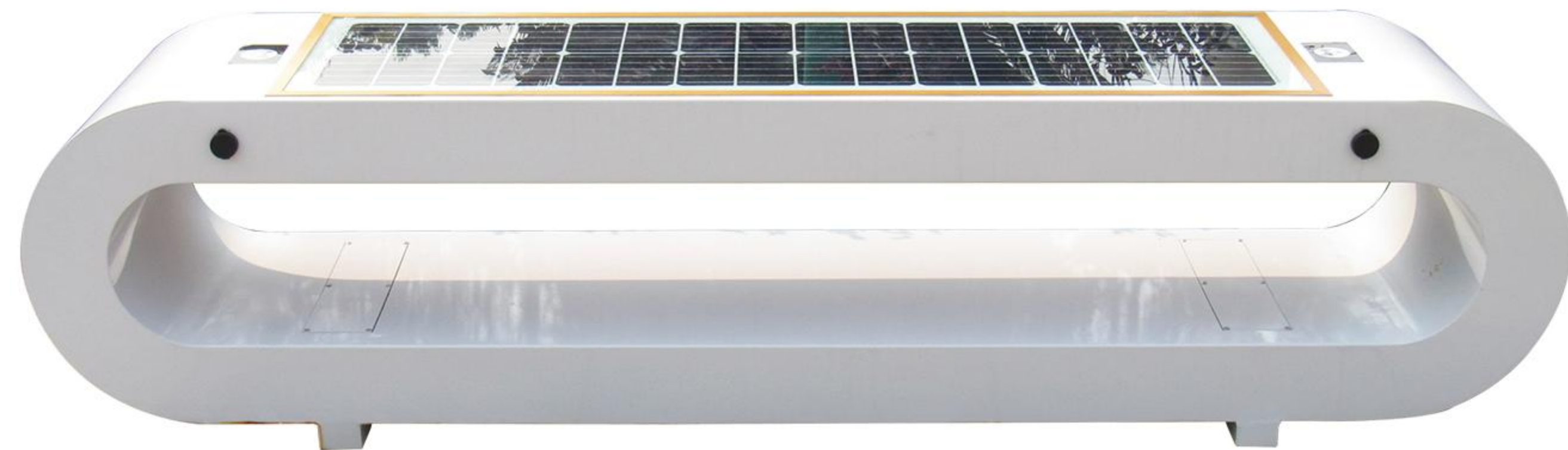


鼎凯电气科技扬州有限公司
DDK TECH ELECFACILITY CO., LTD



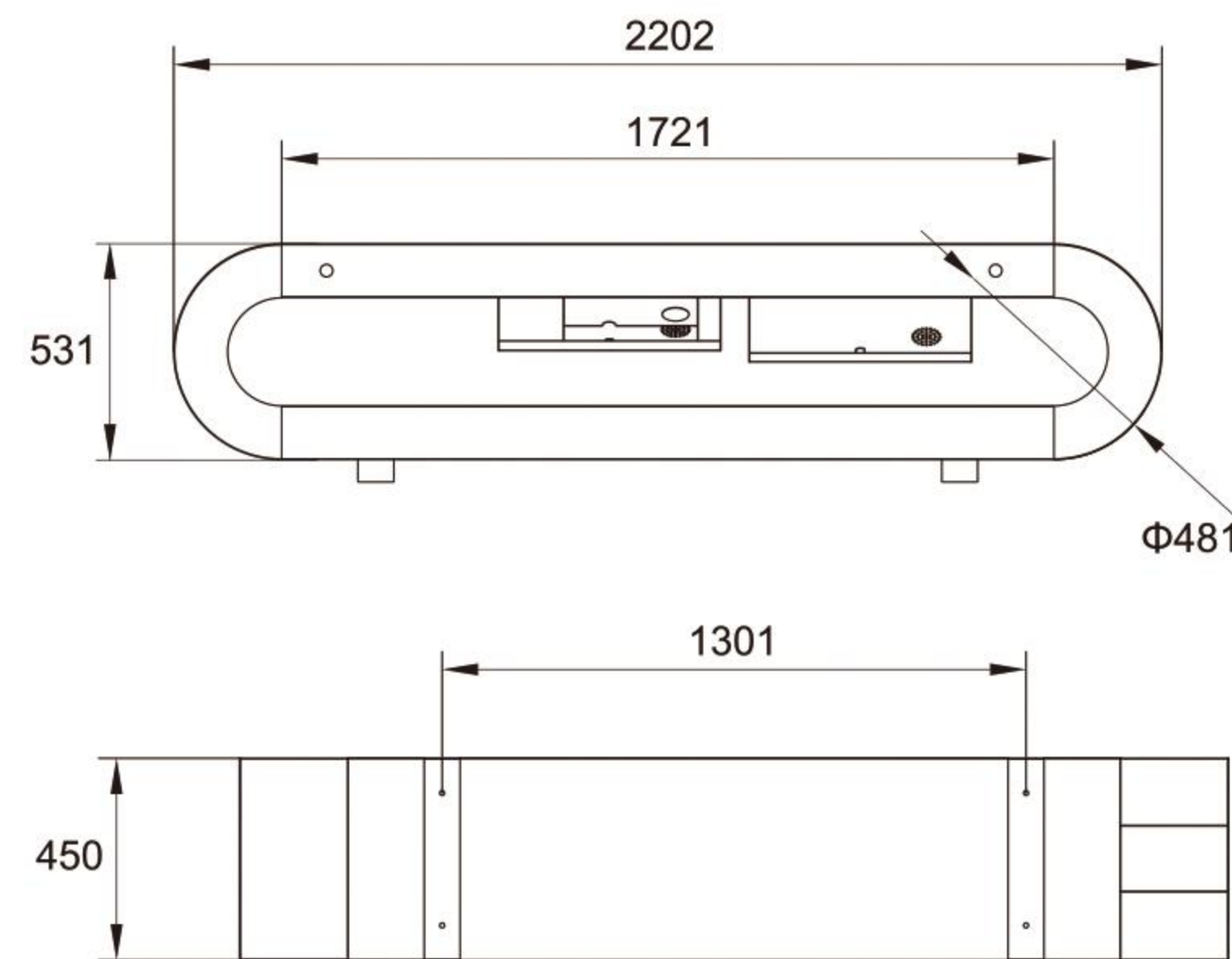
SOLAR BENCH

DDK-2020G



Customized Colors High-efficiency Solar Panel Wireless Charging Body Induction Lights

- Solar Panel 100W
- Battery 70Ah or as request
- USB 2pcs 5V/2.1A
- Wireless Charging 2pcs 5V/2.1A
- Internet 4G router
- LED Light 12V/10W
- Bluetooth Speaker 5/12V
- 50Hz-18KHz
- Solar Controller 12/24V 50W



High conversion rate 15%-24%
Folding available



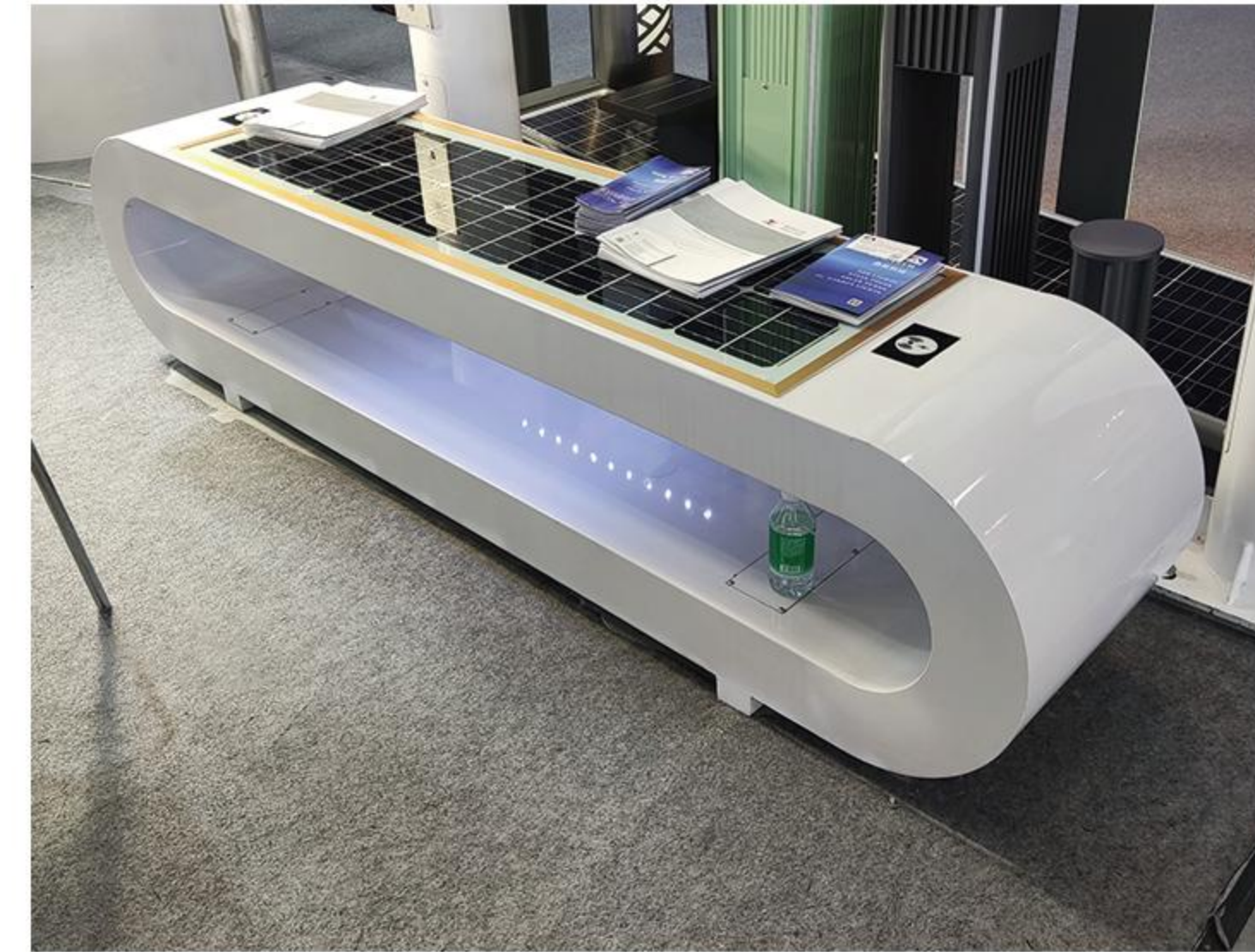
Fully charged within 0.5H
Waterproof



High speed internet access
Waterproof



First class tone quality
Waterproof



Customized Colors Cases





鼎凯电气科技扬州有限公司

DDK TECH ELECFACILITY CO., LTD



SOLAR BENCH



DDK-2070



Sunshade

High-efficiency Solar Panel



USB and AC Socket



Body Induction Lights

Solar Panel 2*100W

Battery 70Ah or as request

USB 3pcs 5V/2.1A

Wireless Charging 2pcs 5V/2.1A

Internet 4G router

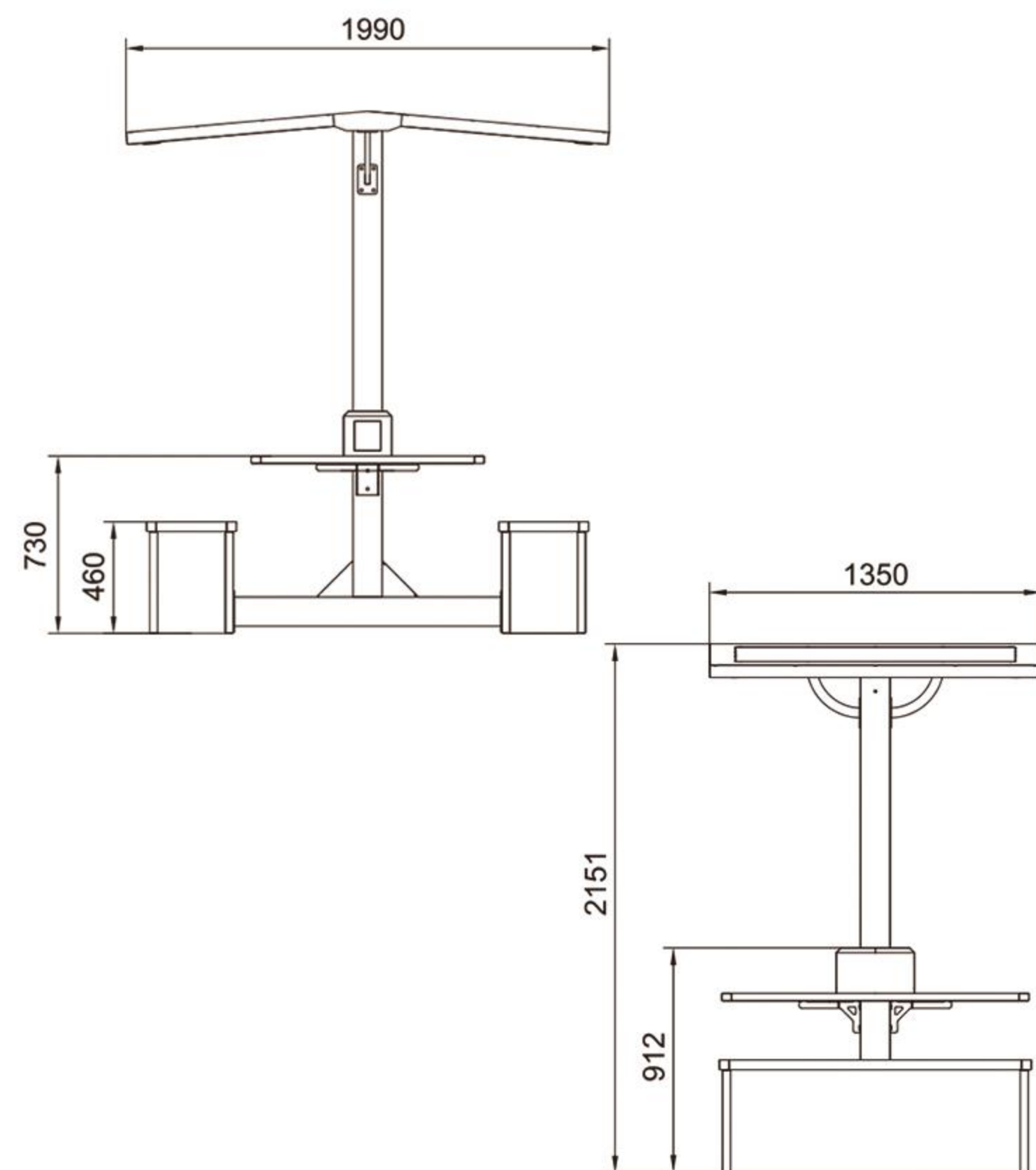
LED Light 12V/10W

Bluetooth Speaker 5/12V

50Hz-18KHz

Solar Controller 12/24V 50W

Inverter 12V to 220V



High conversion rate 15%-24%
Folding available



Fully charged within 0.5H
Waterproof

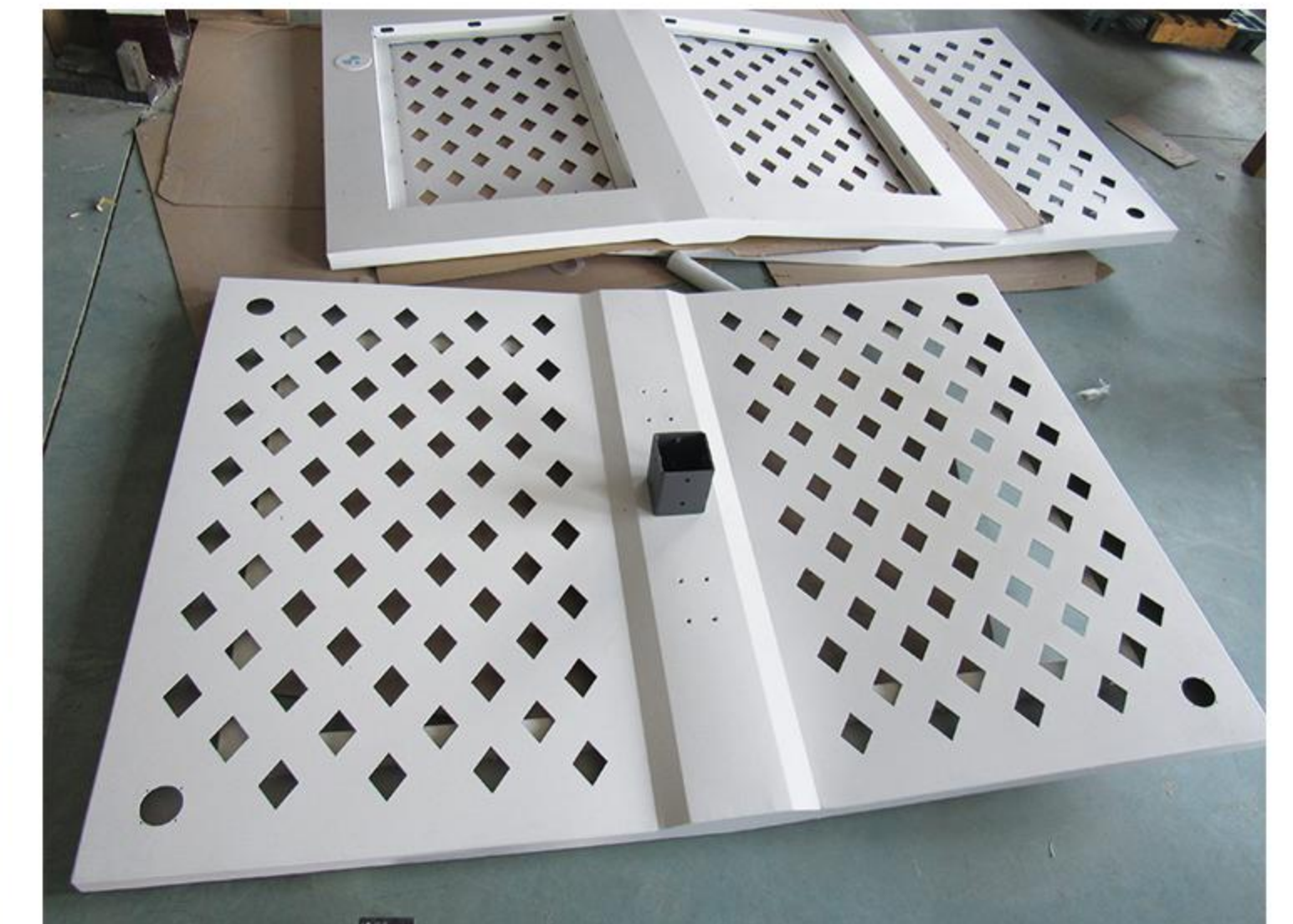


High speed internet access
Waterproof



First class tone quality
Waterproof

Larger solar panels and bench bring you more comfortable



Related Models



DDK-2050A



DDK-2070B



鼎凯电气科技扬州有限公司

DDK TECH ELECFACILITY CO., LTD



SOLAR BENCH



High conversion rate 15%-24%
Folding available



Fully charged within 0.5H
Waterproof



High speed internet access
Waterproof



First class tone quality
Waterproof

DDK-2020F



Customized Colors



High-efficiency Solar Panel



Wireless Charging



Body Induction Lights



Soft Cushion
Optional

Simple Armrest



Customized Color Case



Solar Panel 100W

Battery 70Ah or as request

USB 2pcs 5V/2.1A

Wireless Charging 2pcs 5V/2.1A

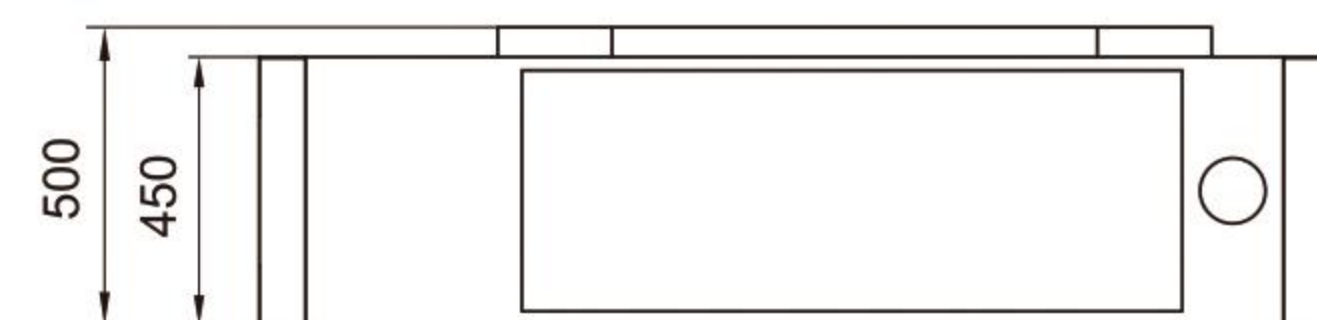
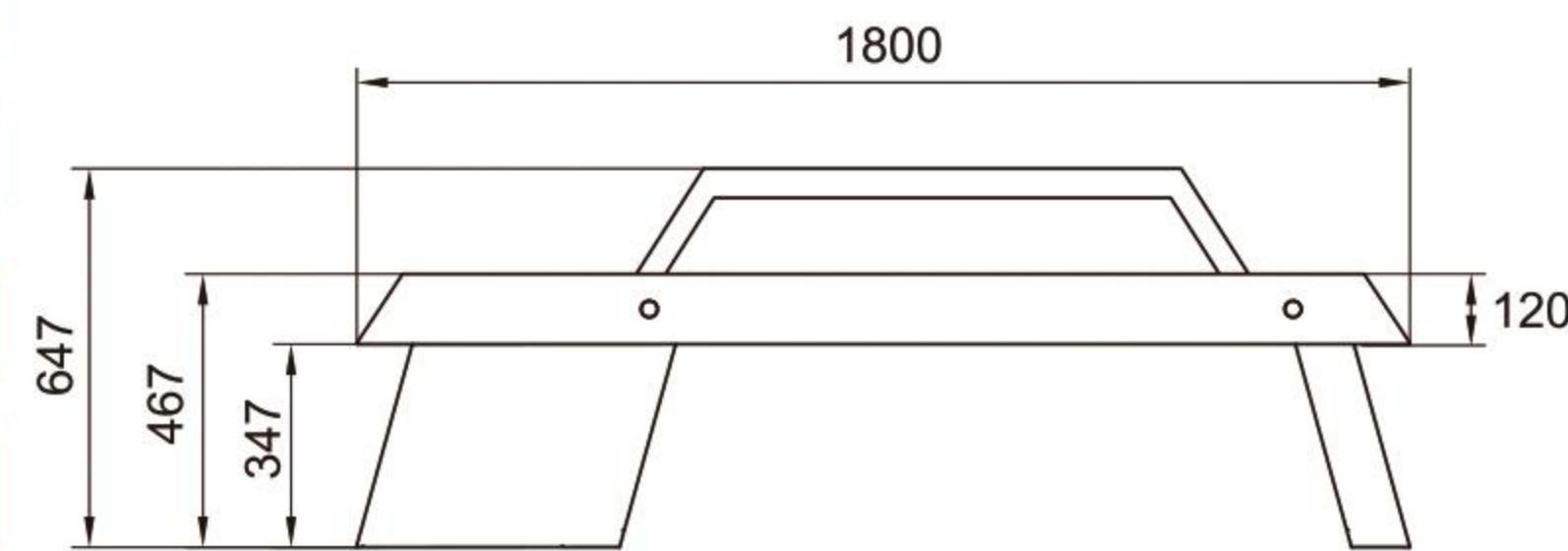
Internet 4G router

LED Light 12V/10W

Bluetooth Speaker 5/12V

50Hz-18KHz

Solar Controller 12/24V 50W





鼎凯电气科技扬州有限公司
DDK TECH ELECFACILITY CO., LTD



SOLAR BENCH



High conversion rate 15%-24%
 Folding available



Fully charged within 0.5H
 Waterproof



High speed internet access
 Waterproof



First class tone quality
 Waterproof



Customized Colors



DDK-GB2000



USB Charging



Integrated Speaker

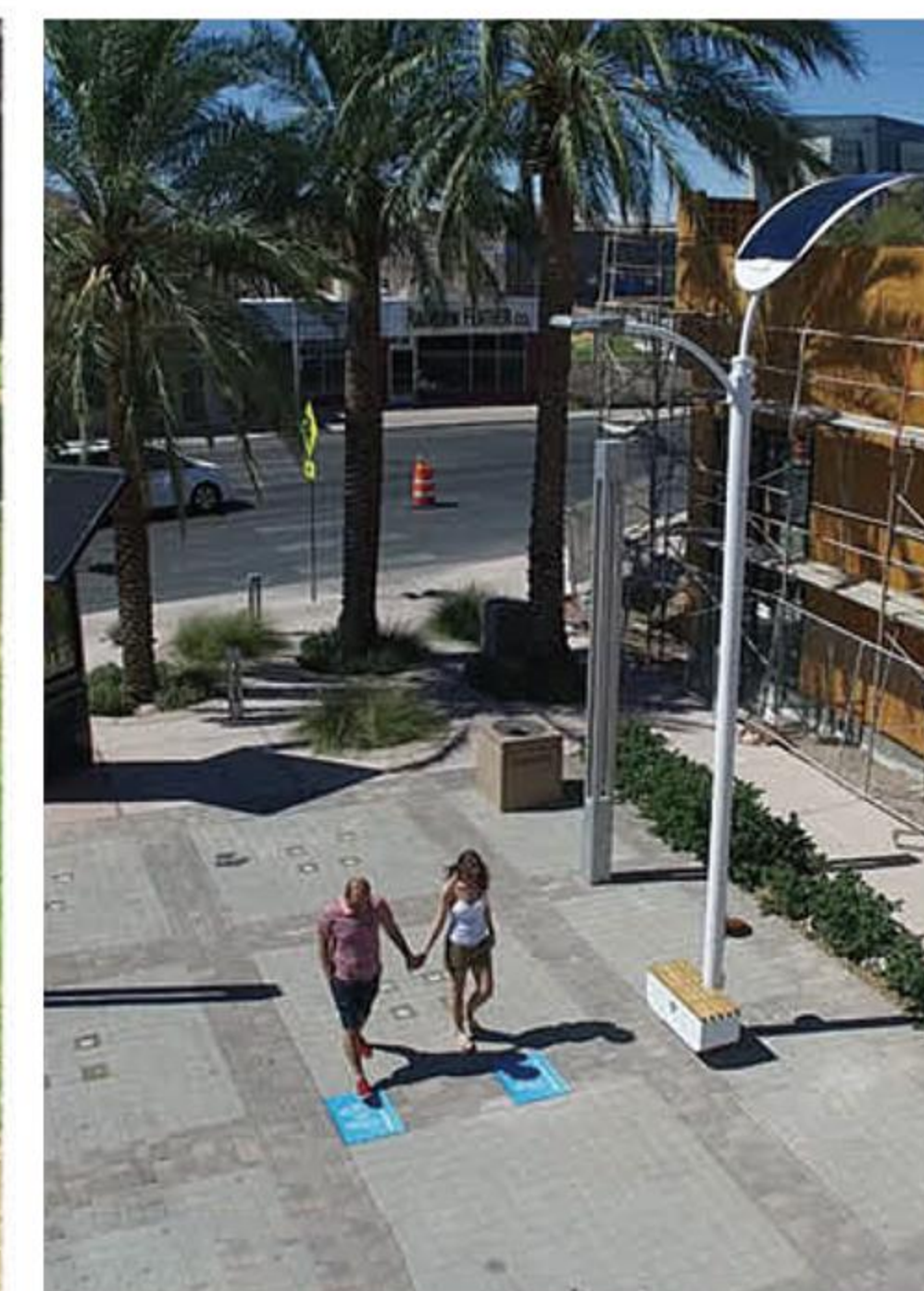
- Solar Panel 60W
- Battery 70Ah or as request
- USB 2pcs 5V/2.1A
- Wireless Charging Optional
- Internet 4G router
- LED Light Optional
- Bluetooth Speaker 5/12V
- 50Hz-18KHz
- Solar Controller 12/24V 50W
- Monitor Camera Optional



Related Models



DDK-GB2010



DDK-GB2020



DDK-GB2030



鼎凯电气科技扬州有限公司
DDK TECH ELECFACILITY CO., LTD



SOLAR BENCH

Our Workshop



High conversion rate 15%-24%
Folding available



Fully charged within 0.5H
Waterproof

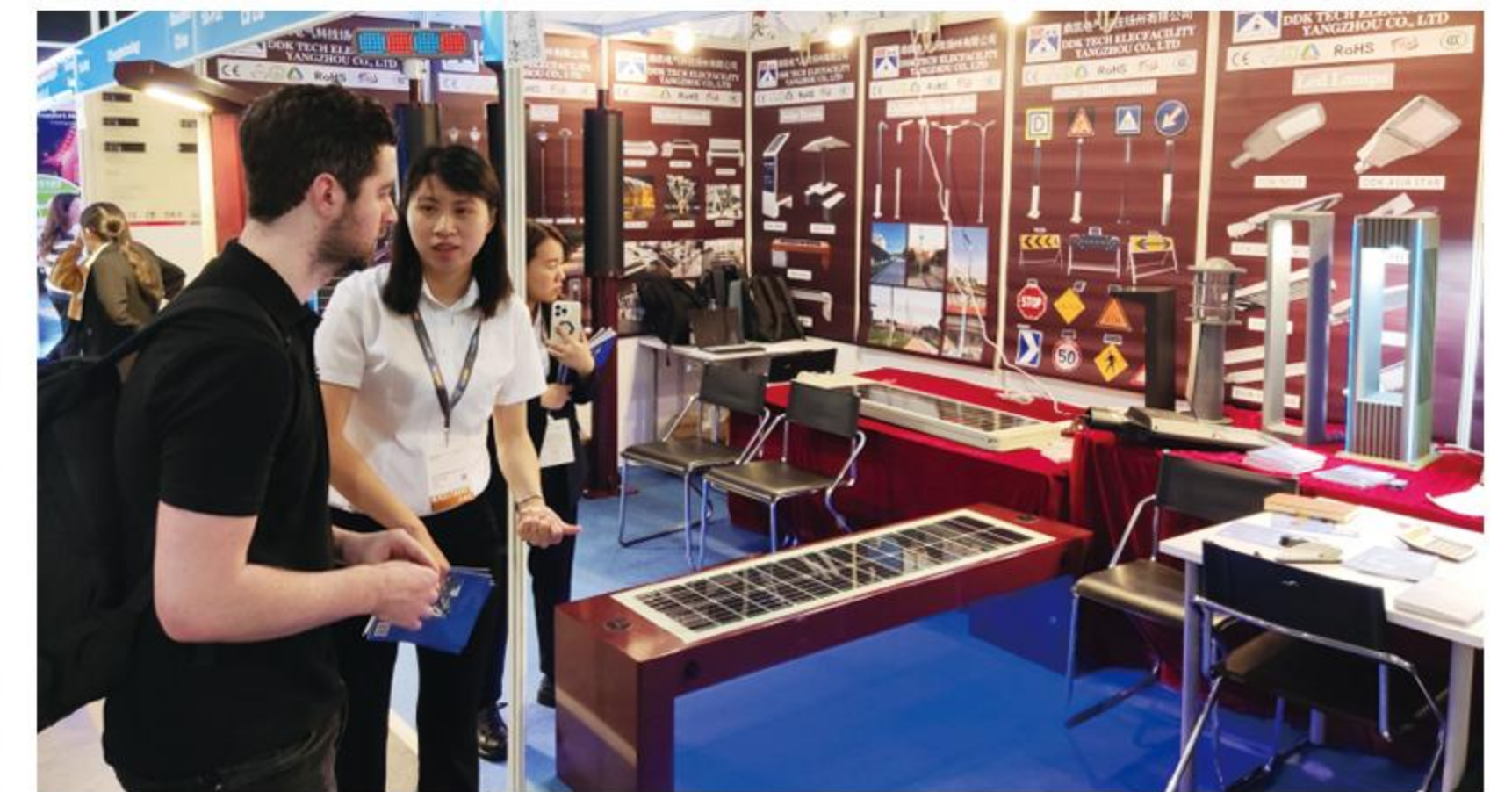
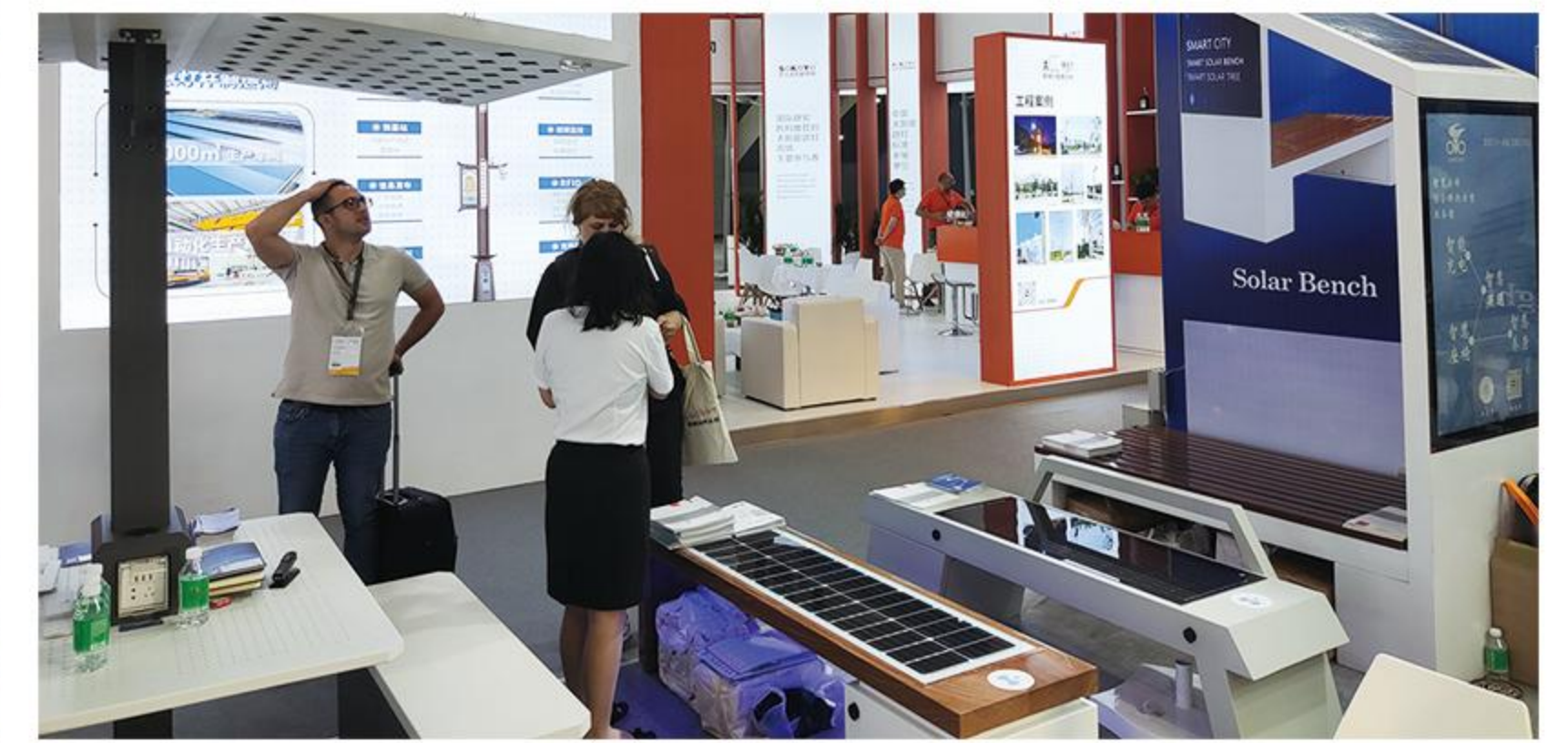
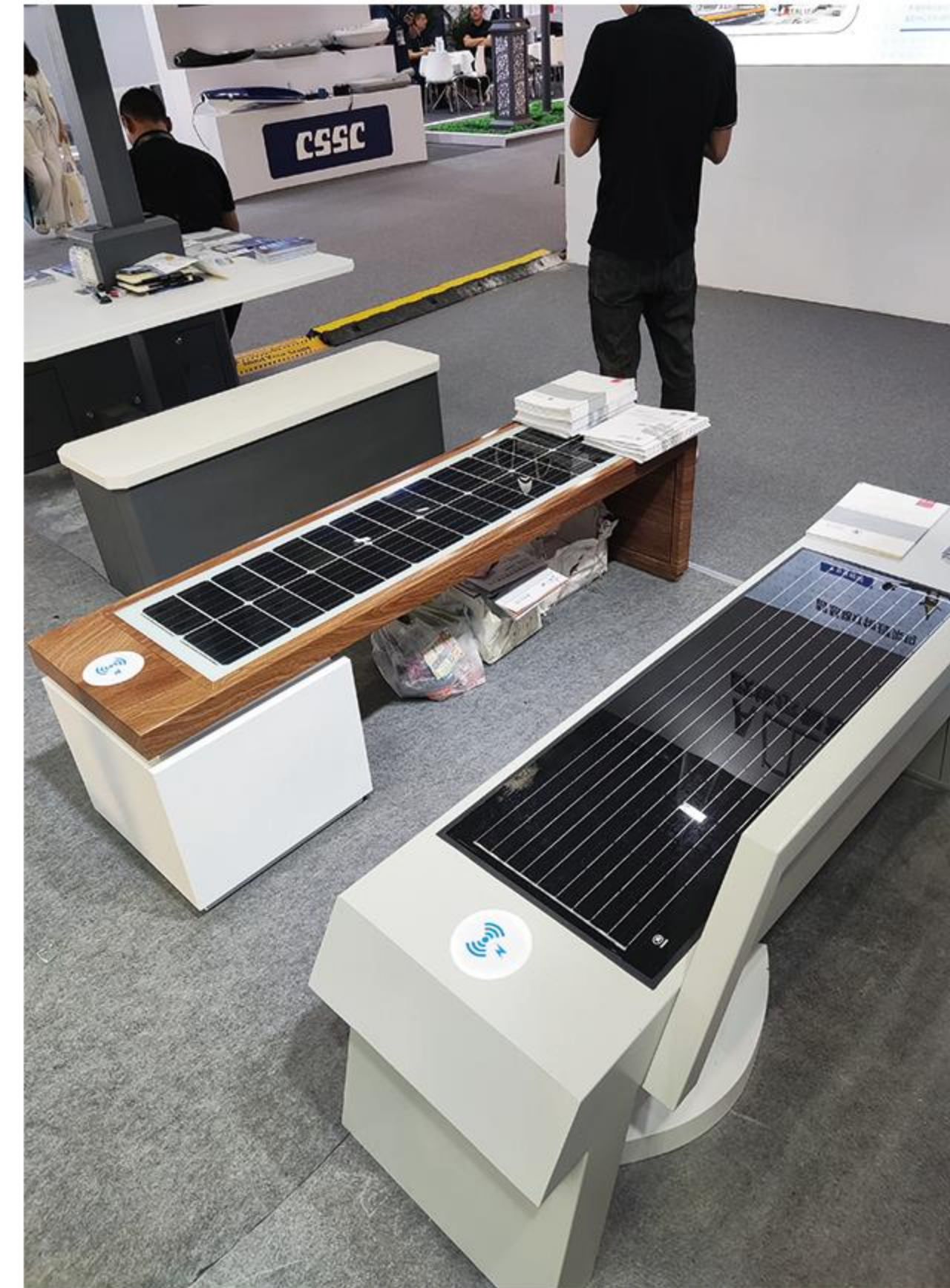


High speed internet access
Waterproof

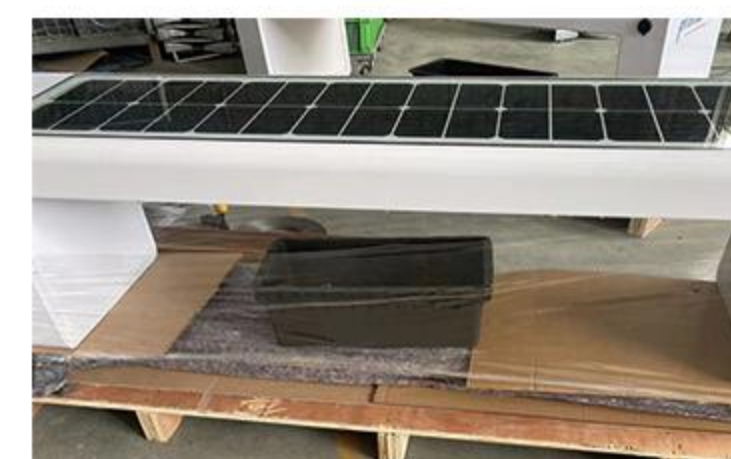


First class tone quality
Waterproof

At Fairs



How We Ship It





鼎凯电气科技扬州有限公司
DDK TECH ELECFACILITY CO., LTD



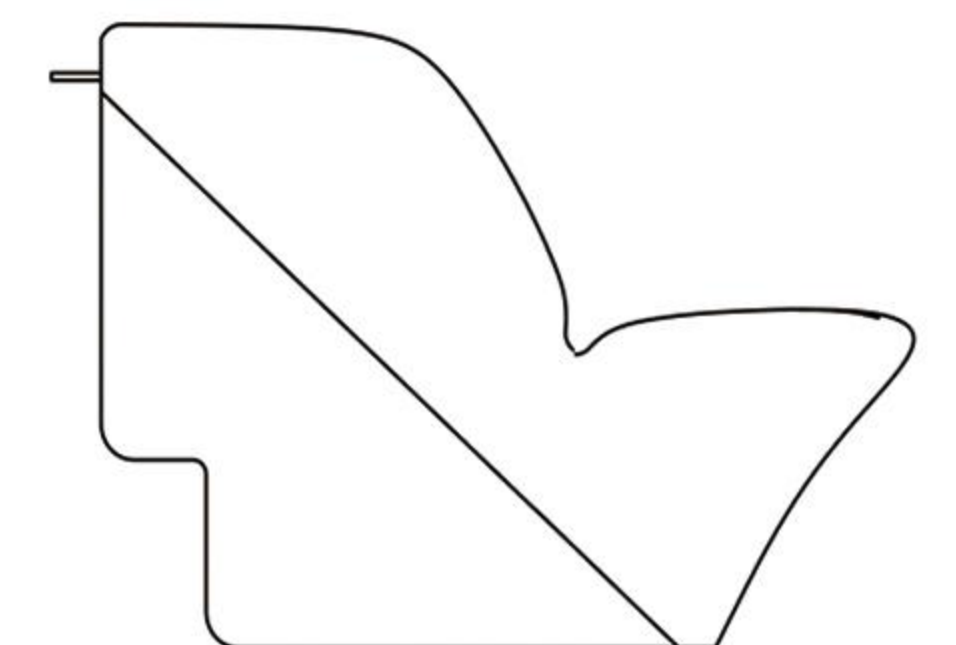
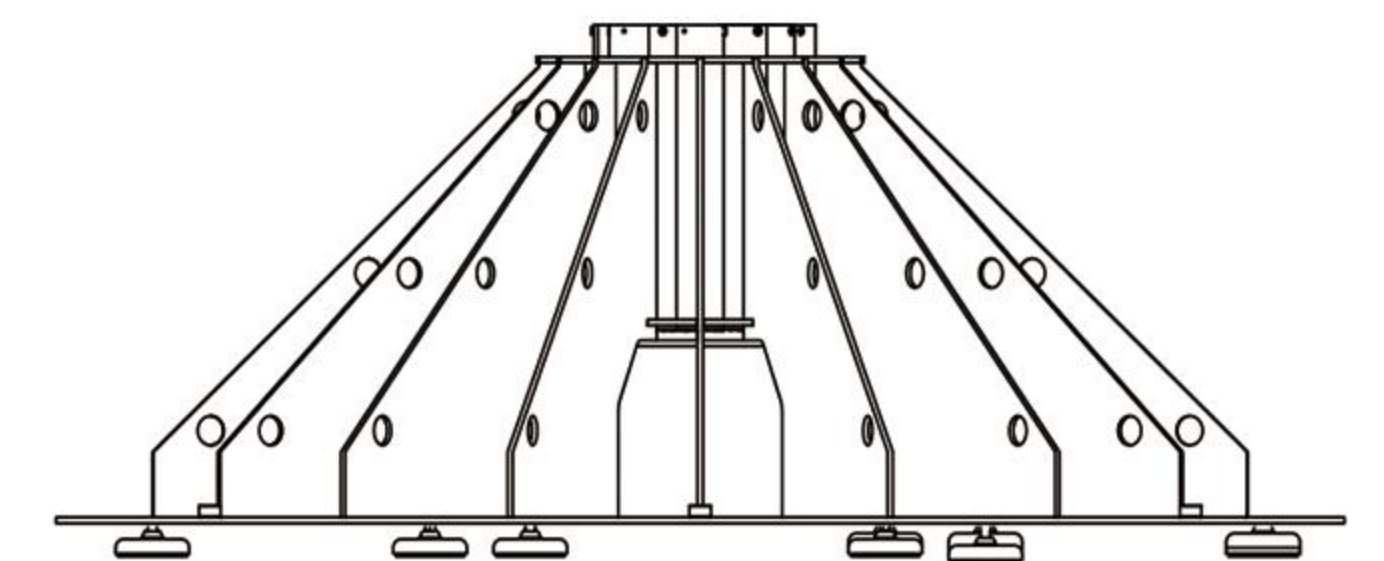
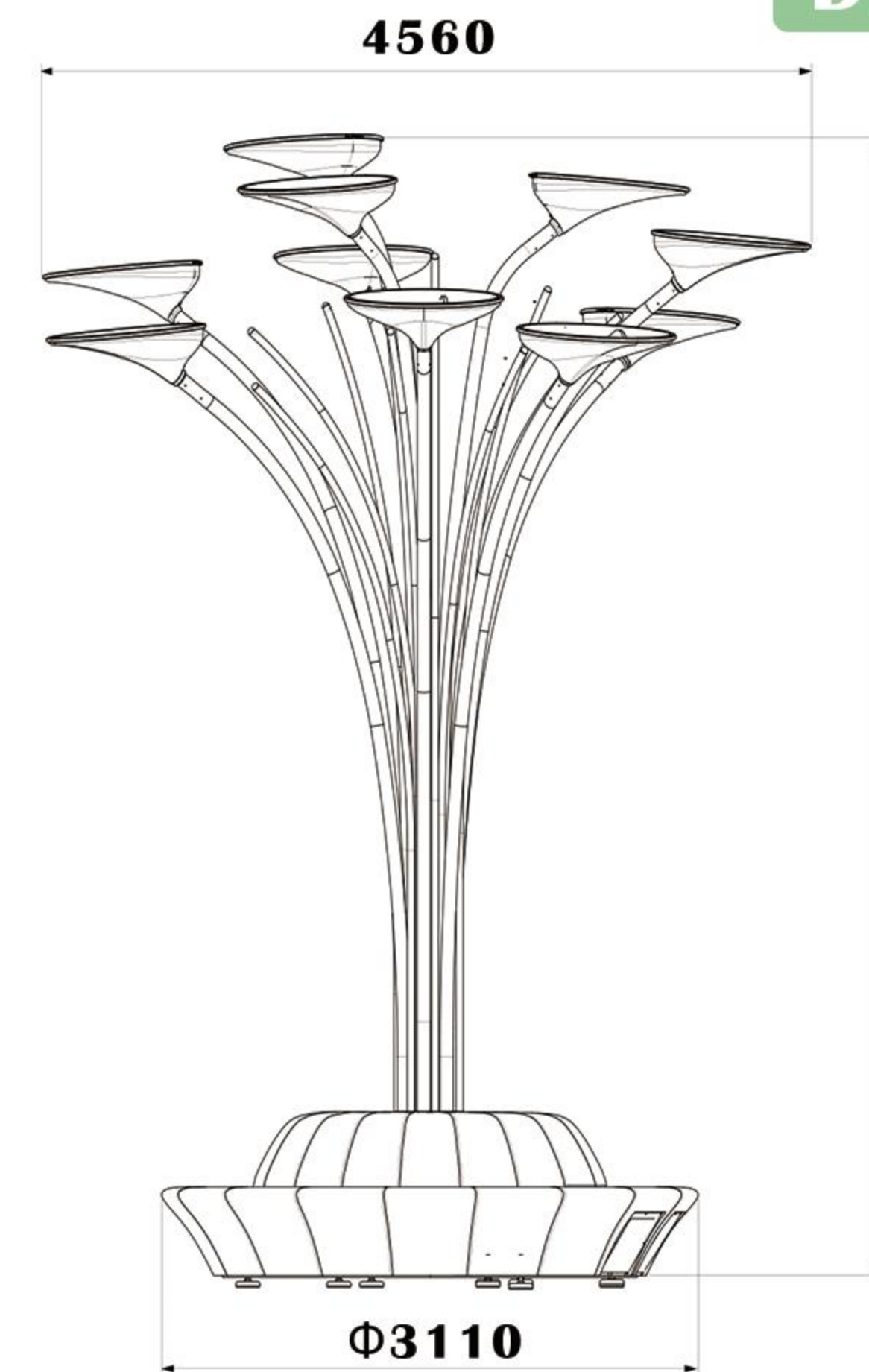
SOLAR BENCH

Other Models/Designs



SOLAR TREE

DDK-ST6000



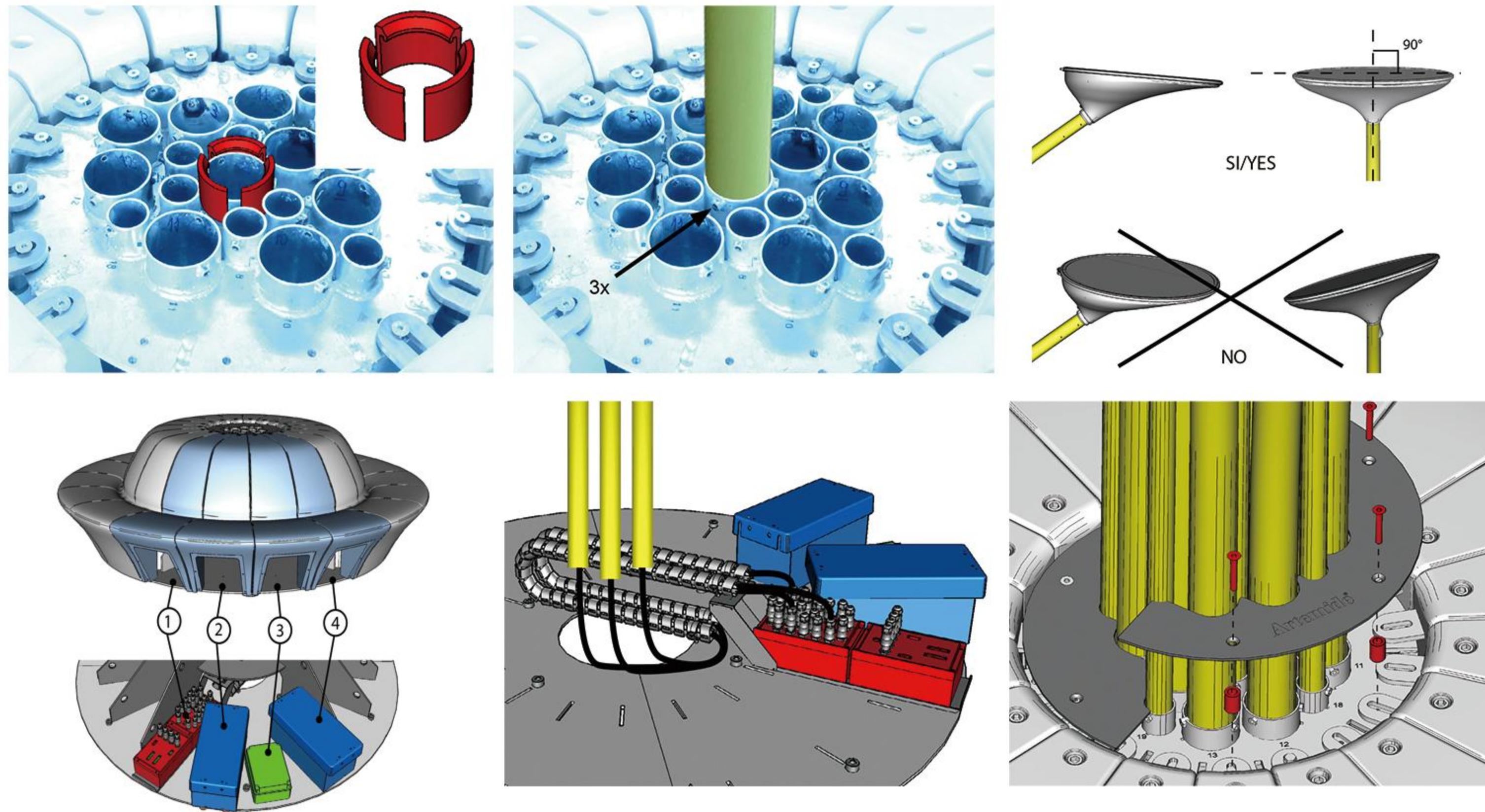
Drawings and Dimenison



鼎凯电气科技扬州有限公司
DDK TECH ELEC FACILITY CO., LTD



SOLAR TREE



Installation Instructions and Customer Case



www.ddktek.net www.cnddk.net TEL:008618811954888 008615852852688



DDK-ST1000



DDK-ST3000



DDK-ST5000



DDK-ST6000

SOLAR TREE



DDK-ST2000



DDK-ST4000

EMAIL: ddk@cn-ddk.com ddk@cnddk.net ADD:Guoji, Gaoyou, Jiangsu, PR.China

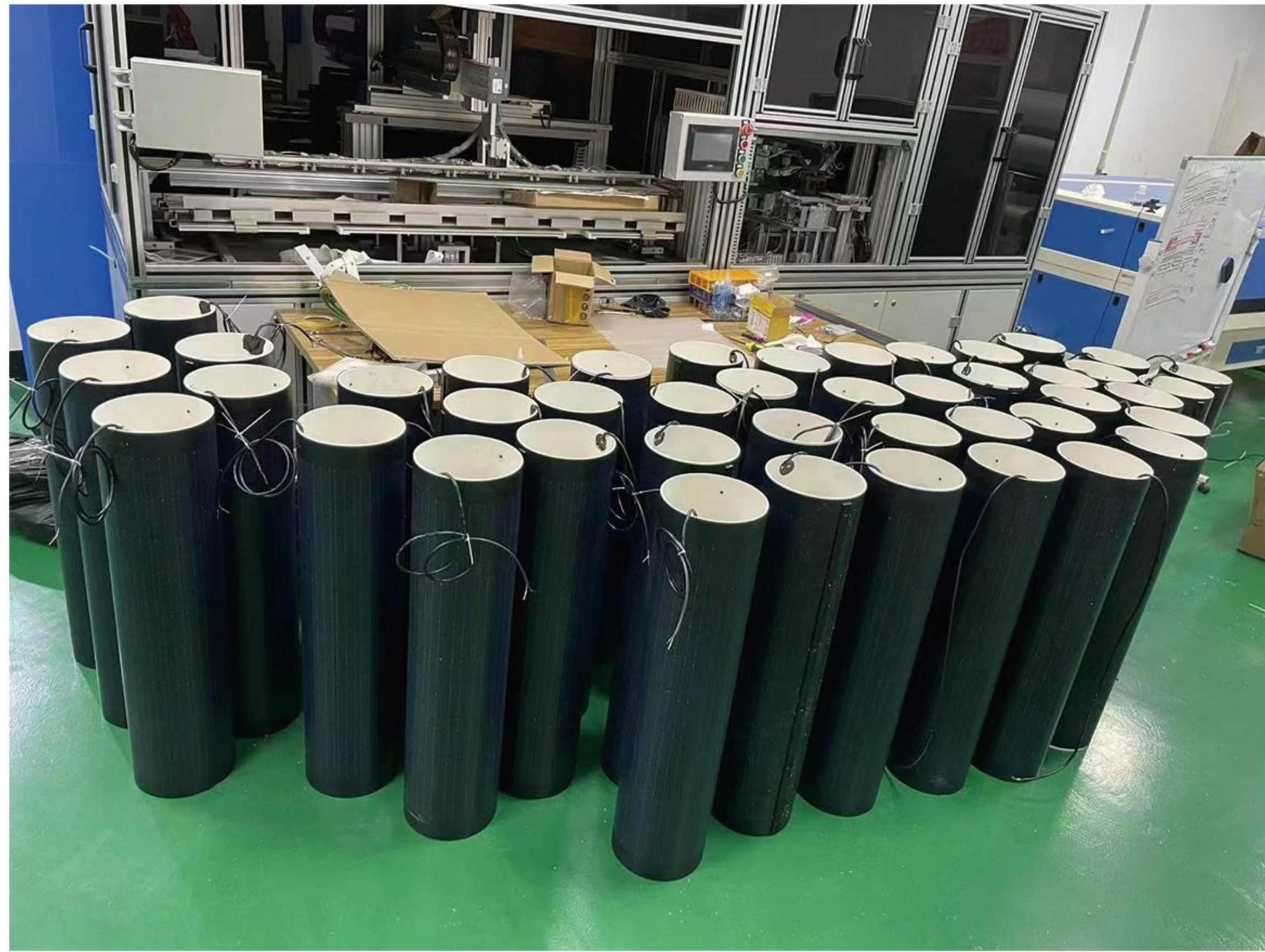


鼎凯电气科技扬州有限公司

DDK TECH ELECFACILITY CO., LTD



Wrapped Flexible Solar Panel



Wrapped flexible solar panel is a thin, flexible photovoltaic power generation device. Compared with traditional rigid solar panels, flexible solar panels are more flexible and portable. They are often made from flexible materials, such as polymers or films, which allow solar panels to bend, fold, and even curl to fit surfaces of various shapes and sizes.

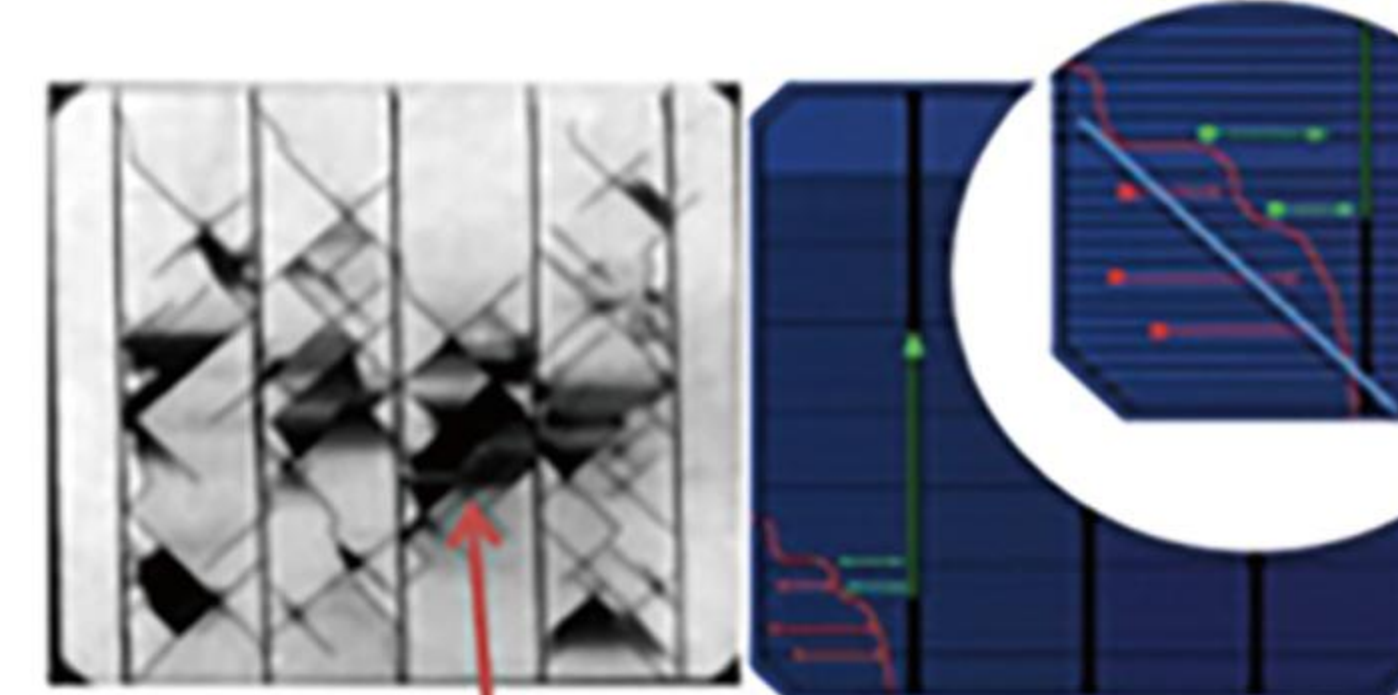


High-efficiency Hetero-junction Solar Cells (efficiency>24%) are laminated inside with excellent weak-light performance and superior Power Temperature Co-efficient, which enable the solar panel to achieve 5%-10% more power.

FEATURES

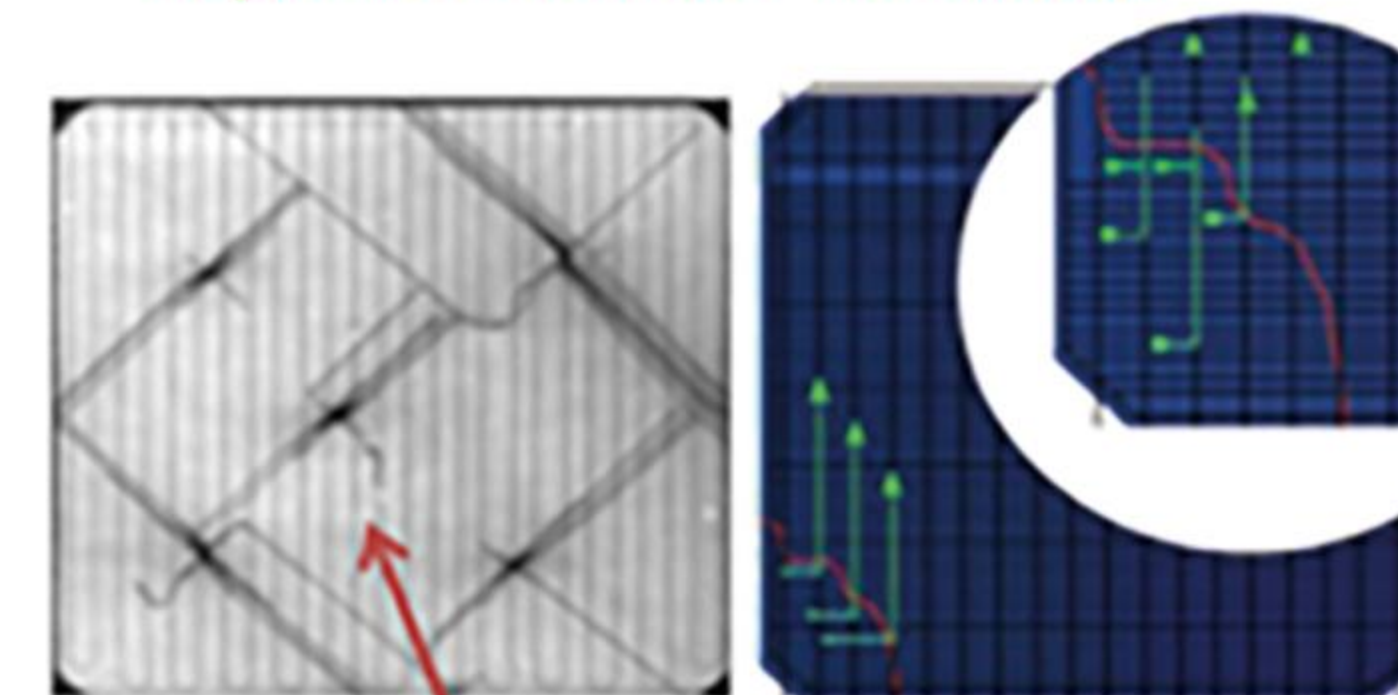
Unique Super-wire Flexible Connection Technology ensures an excellent ability to resist cell crack and impact force. Even under extreme conditions, solar cells and the panel still generate power as long as they are not destructively damaged.

Conventional PV Ribbon Connection



Black failure area, no power output

Super-wire Flexible Connection



Almost No failure area



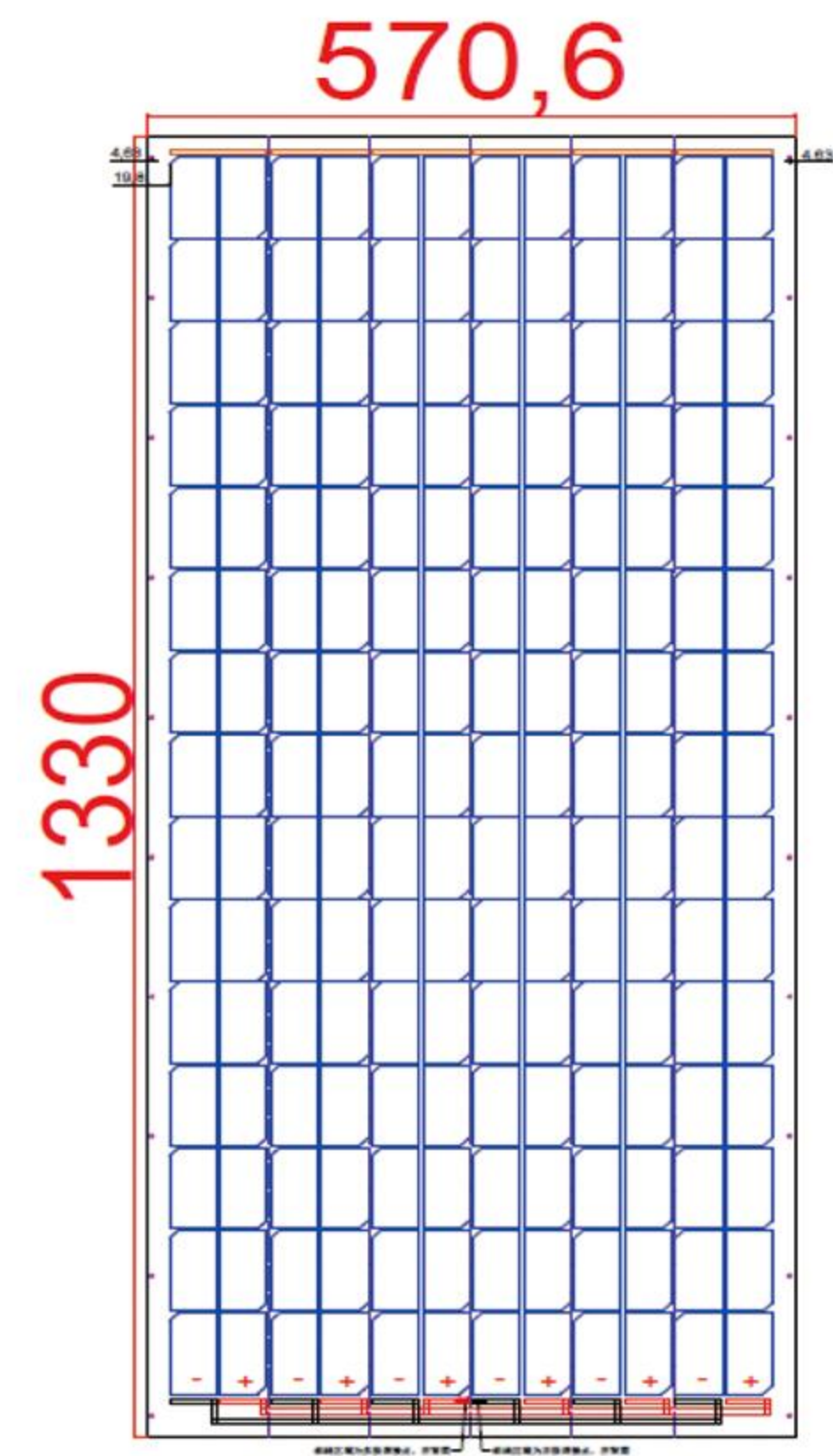


鼎凯电气科技扬州有限公司

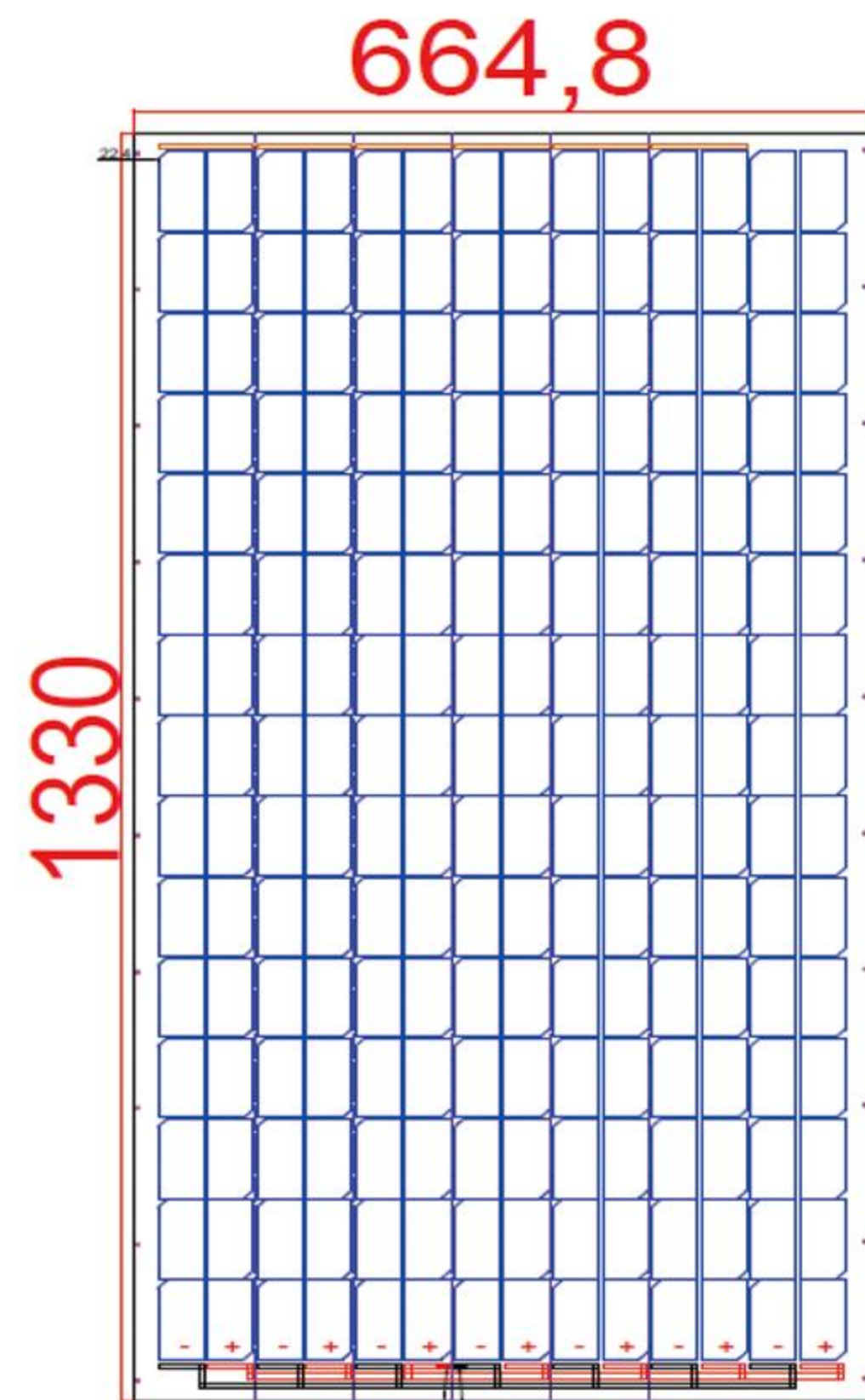
DDK TECH ELECFACILITY CO., LTD



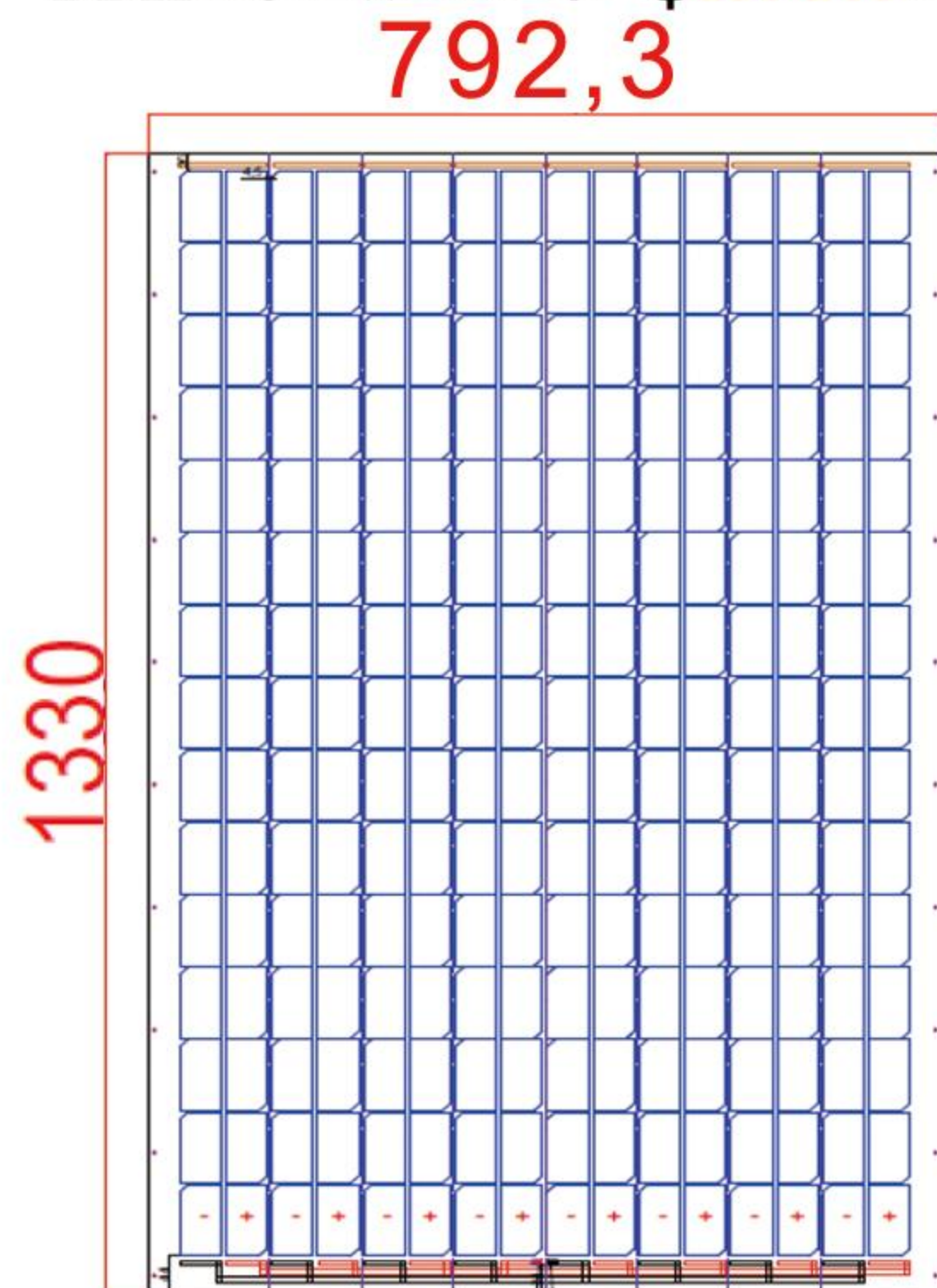
Unique design of 3 or 4 circuits in parallel connection ensures at least 1 or 2 circuits are always faced to the sun to achieve stable voltage and high-efficiency power storage.



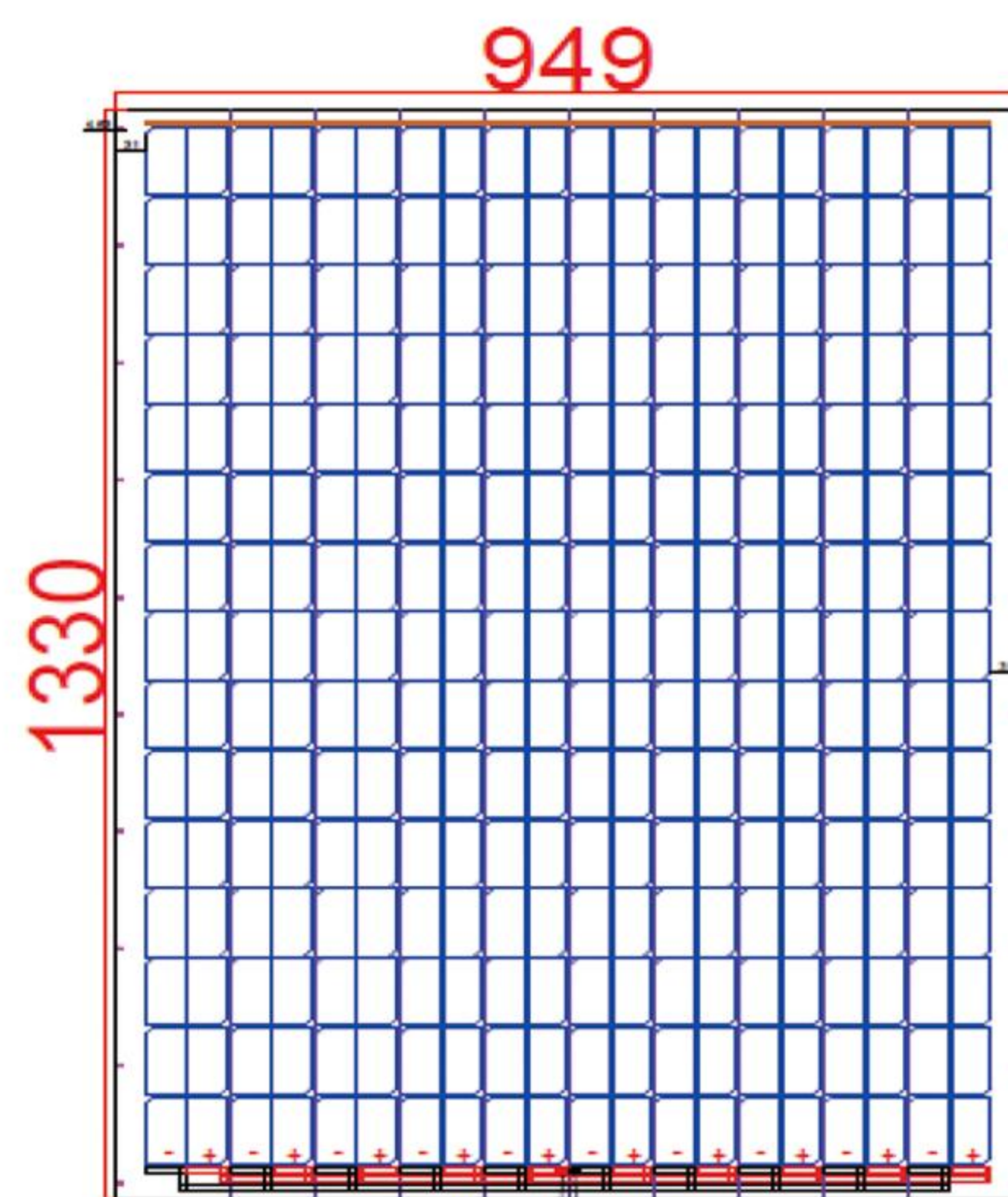
6 Circuits in Parallel 6路并联
DDK-HJT-W-120 for ϕ 180-200mm



7 Circuits in Parallel 7路并联
DDK-HJT-W-114 for ϕ 210/220/230mm



8 Circuits in Parallel 8路并联
DDK-HJT-W-161 for ϕ 250mm



10 Circuits in Parallel 10路并联
DDK-HJT-W-201 for ϕ 300mm

SPECIFICATION

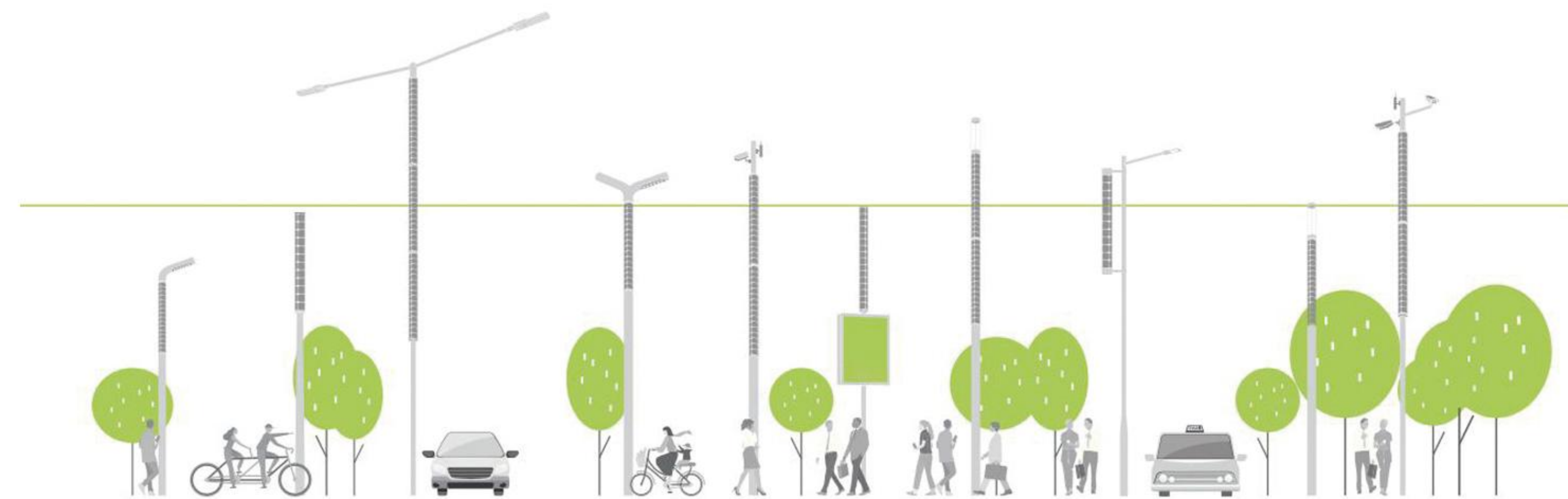
组件规格 Model No.	DDK-Flex-SHJ-120	DDK-Flex-SHJ-141	DDK-Flex-SHJ-161	DDK-Flex-SHJ-201
太阳能电池类型 Solar Cell Type	高效异质结太阳能电池, Super-wire 柔性互联技术 Heterojunction Solar Cell with Super-wire Flexible Connection Technology Cell efficiency $\geq 24\%$			
适配灯杆直径 Applicable for Pole Diameter (mm)	180mm 200mm	210mm 220mm 230mm	250mm	300mm 315mm
内部并联串数 Inner Circuit in parallel	6 Circuits in Parallel	7 Circuits in Parallel	8 Circuits in Parallel	10 Circuits in Parallel
峰值功率 Pmax (W)	120	141	161	201
峰值功率电压 Vmp (V)	17.7	17.7	17.7	17.7
峰值功率电流 Imp (A)	6.81	7.95	9.09	11.36
开路电压 Voc (V)	22.14	22.14	22.14	22.14
短路电流 Isc (A)	7.35	8.57	9.80	12.25
组件尺寸 Panel	1330×571/633× 1.5mm	1330×664/697/ 729×1.5mm	1330×792× 1.5mm	1330×949× 1.5mm
组件重量 Panel Weight	1.2 Kg/1.3Kg	1.4-1.6Kg	1.7Kg	2.0Kg
工作温度 Working Temperature	-40°C~85°C			
峰值功率温度系数 Power Temp Co-efficient (%/°C)	-0.27			
短路电流温度系数 Current Co-efficient (%/°C)	0.04			
开路电压温度系数 Voltage Co-efficient (%/°C)	-0.26			
备注 Note	组件无线缆, 正负极焊接点位于组件的背面 No solar cable; +/- soldering points are at panel's backside.			

HJT solar panels for other pole diameters can be customized as per requirements.



Applications

- for street lights
- for garden lights
- for retrofit lights
- for traffic using
- for advertisement
- for energy storage



All DDK TECH add-on solar tubes share a common technology - of vertical cylindrical photovoltaics, which house batteries and smart control electronics to provide energy to the luminaire for the whole night. The entire system is simply attached to a pole with a fixation mechanism, that can adapt to the majority of standard pole geometries diameters and heights.





鼎凯电气科技扬州有限公司

DDK TECH ELECFACILITY CO., LTD



APPLICATIONS for street lights



APPLICATIONS for garden lights





APPLICATIONS for Hybrid System



Using a hybrid system that wraps solar panels and fans, it not only ensures conversion efficiency, but also improves aesthetics and integrity, and reduces load-bearing requirements on light poles. It will not only be suitable for highway lighting, but also for landscape lighting.

APPLICATIONS for Traffic Signs





鼎凯电气科技扬州有限公司
DDK TECH ELECFACILITY CO., LTD



Our Cases

In Our Showroom



At Fairs



www.ddktek.net www.cnddk.net TEL:008618811954888 008615852852688

Testing and Manufacturing



Customer Feedback



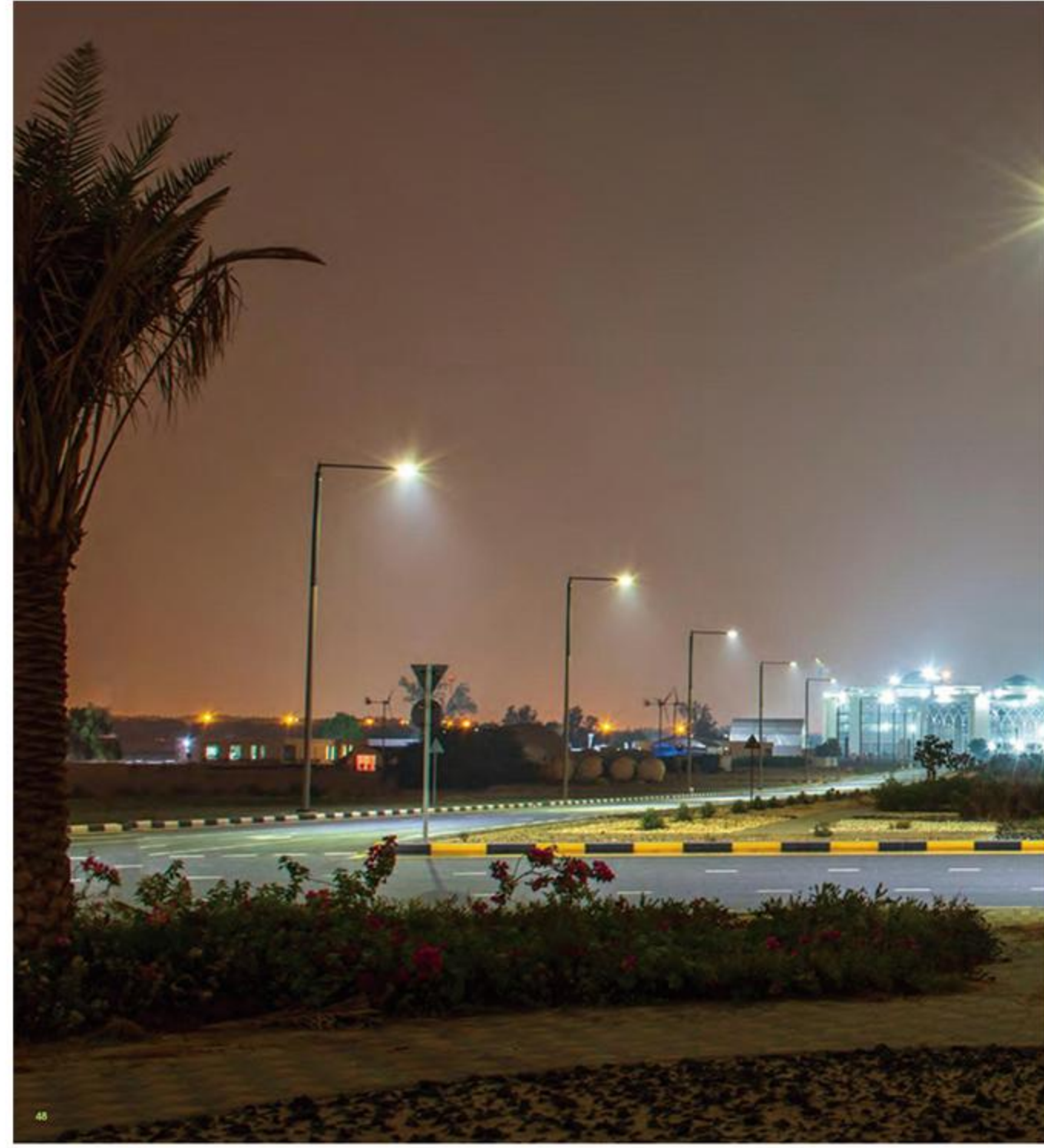
EMAIL: ddk@cn-ddk.com ddk@cnddk.net ADD:Guoji, Gaoyou, Jiangsu, PR.China



鼎凯电气科技扬州有限公司
DDK TECH ELECFACILITY CO., LTD



Our Cases





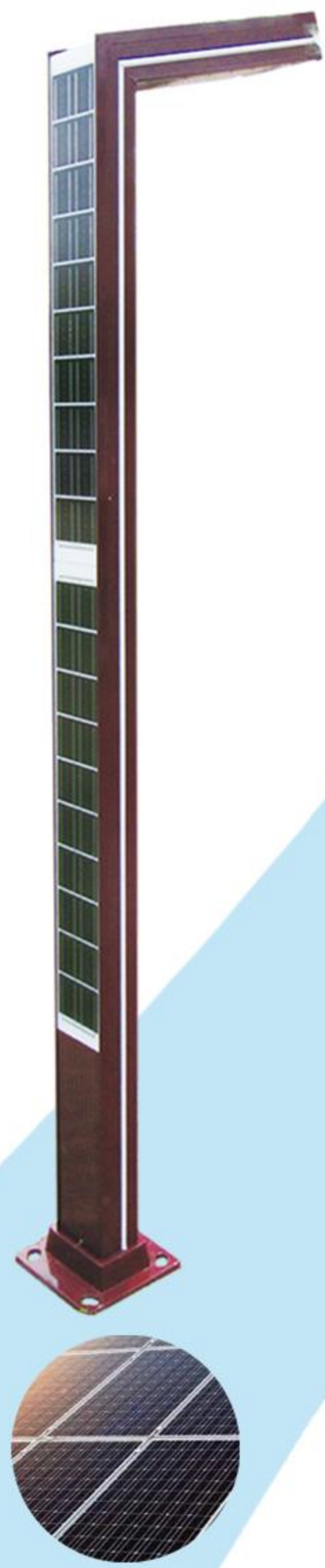
鼎凯电气科技扬州有限公司
DDK TECH ELECFACILITY CO., LTD



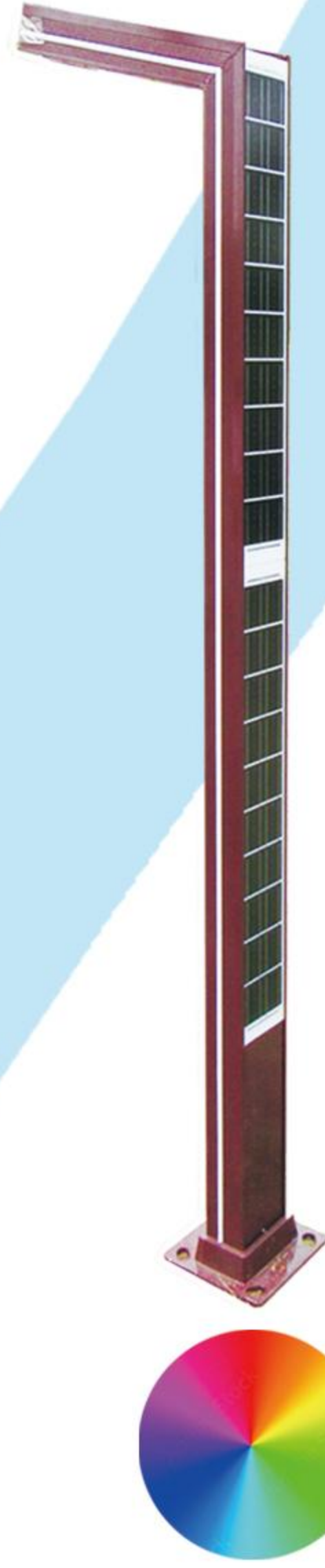
At Fairs

Integrated Solar Aluminium Pole

DDK-GN002 Series



High Efficiency Solar Panels



Customized Color



IP 65 Waterproof



Solar panels can be extended to the top of the lamp arm



SPECIFICATION

Model	DDK-GN002A1	DDK-GN002C1	DDK-GN002C1
Cross section	 150 x 100 mm	 150 x 75 mm	 130 x 85 mm
Power	30W / 60 W CUSTOMIZED	20W / 30 W CUSTOMIZED	20W / 30 W CUSTOMIZED
Height	3m – 6m	3m – 6m	3m – 6m
Material	6063 Aluminum	6063 Aluminum	6063 Aluminum



鼎凯电气科技扬州有限公司

DDK TECH ELECFACILITY CO., LTD



Double Sides Integrated Solar Aluminium Pole

DDK-GN003 Series

Simple series design, a variety of installation methods can meet various environmental needs, superior optical performance, uniform light distribution; Create a warm atmosphere while saving significant energy.

Lamps combine efficiency, aesthetics and visual comfort.

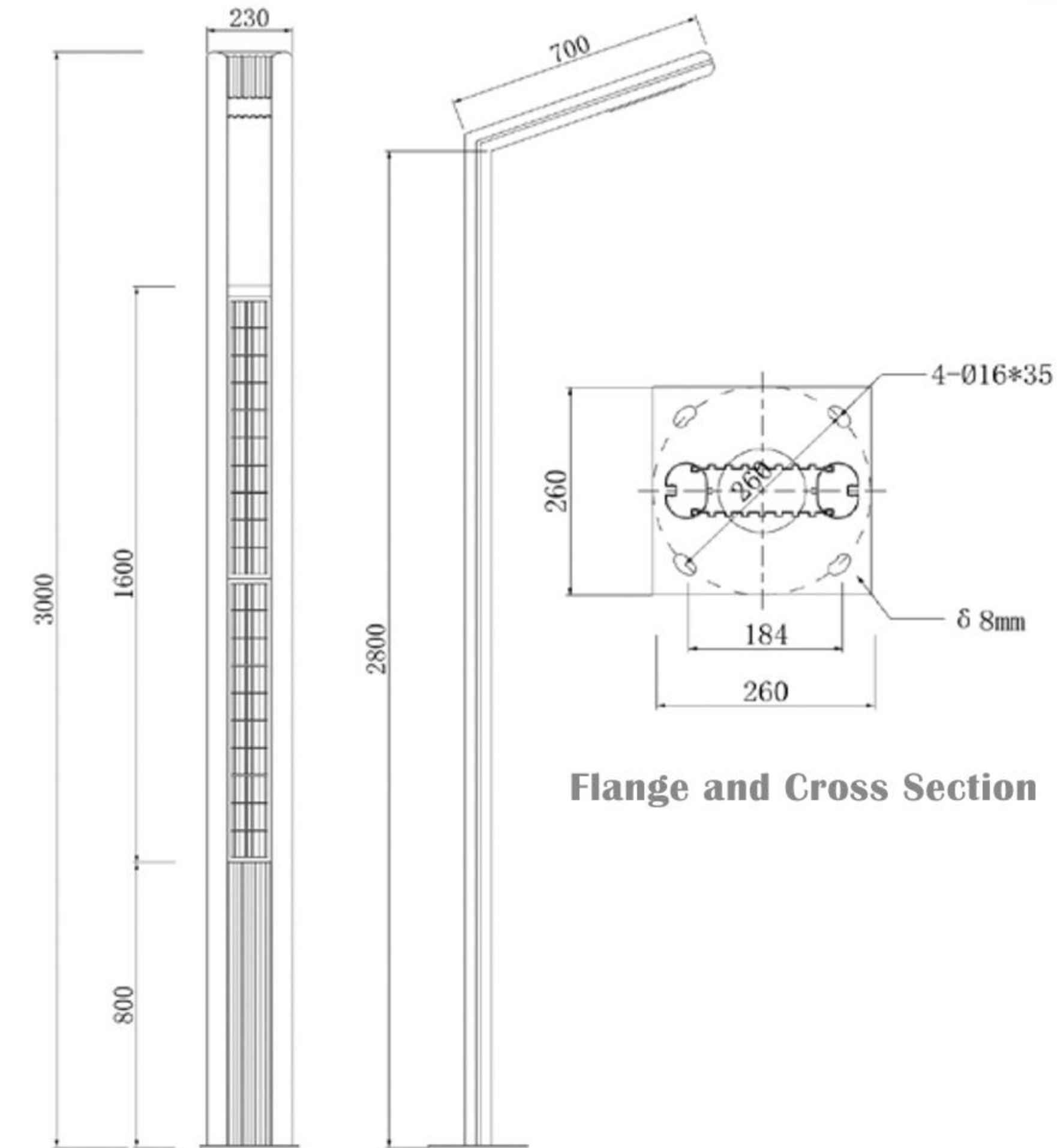
SPECIFICATION

Lamp Power	20W/30W
Height	3M or as request
Material	Die Casting Aluminium
Voltage	3.2V
Solar Panel	80W
Battery	40Ah
Flange Diagonal	220mm
Thickness	1.8mm
Material Size	125x80mm
IP Rating	IP65

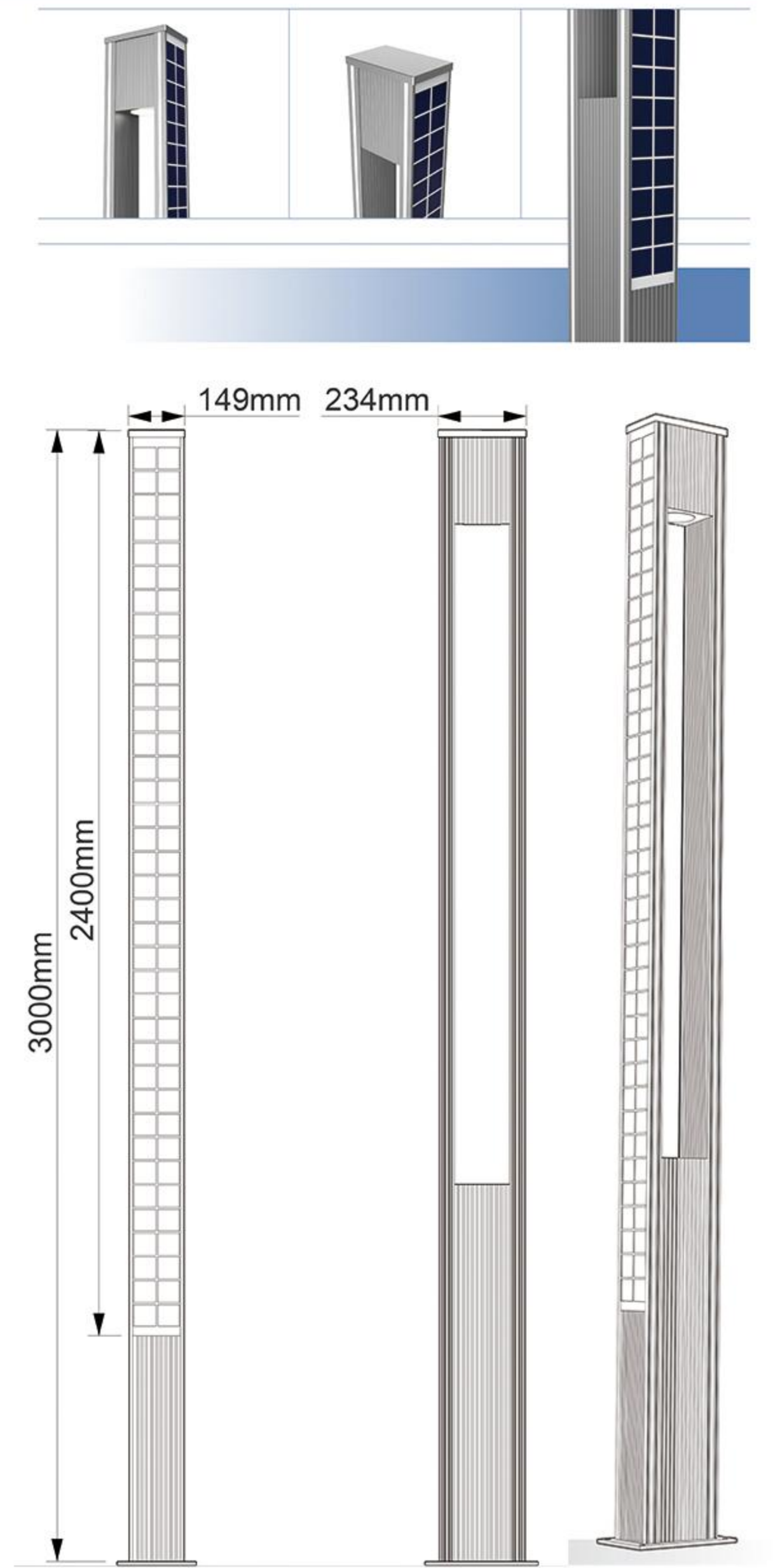
Front Side

Back Side

Body



Related Design in Square Pole



APPLICATIONS





鼎凯电气科技扬州有限公司

DDK TECH ELECFACILITY CO., LTD



Four Sides Integrated Solar Aluminium Pole

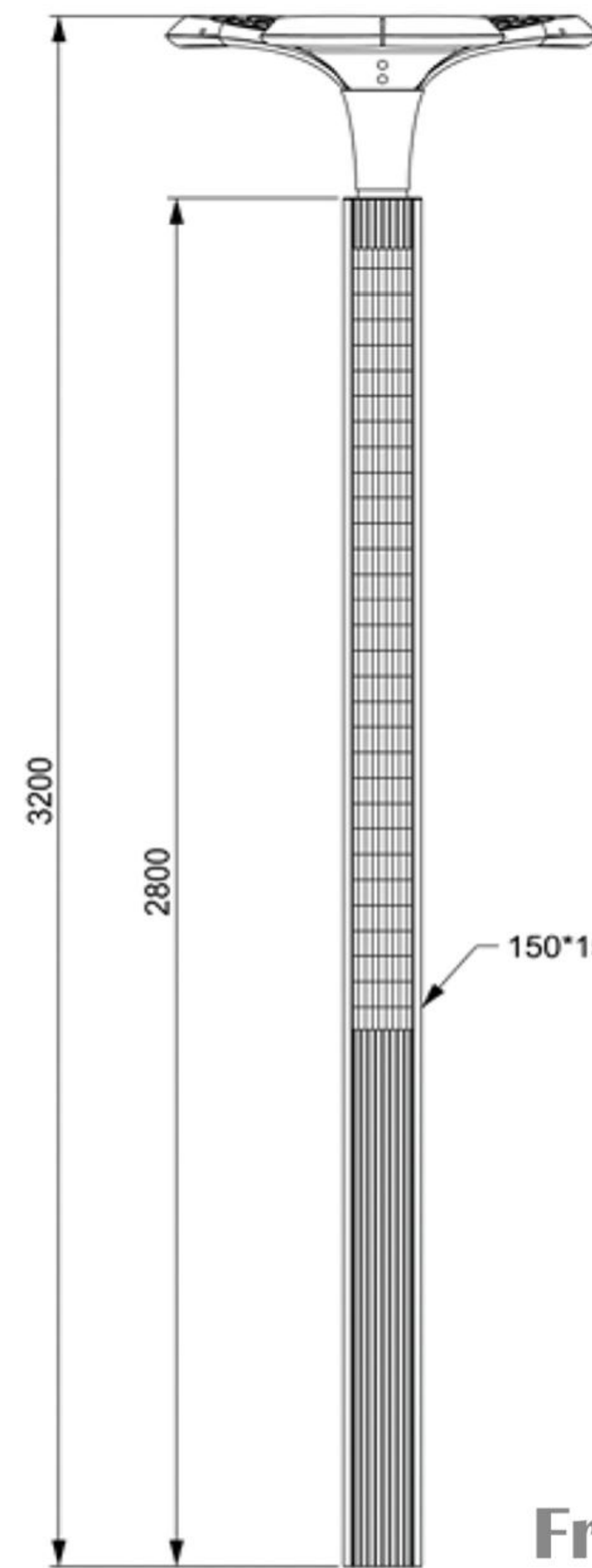
DDK-SG 090 Series

Illuminate your outdoor spaces with our **cutting-edge 4-faced solar pole**, standing at a convenient 3.5 meters tall! Each side is adorned with solar panels, maximizing energy capture to power garden lights, traffic signals, or off-grid locations effortlessly. This eco-friendly solution combines functionality and versatility, providing reliable energy while enhancing the aesthetics of any area. Embrace sustainability and innovation with our solar pole, perfect for brightening up your surroundings in style!

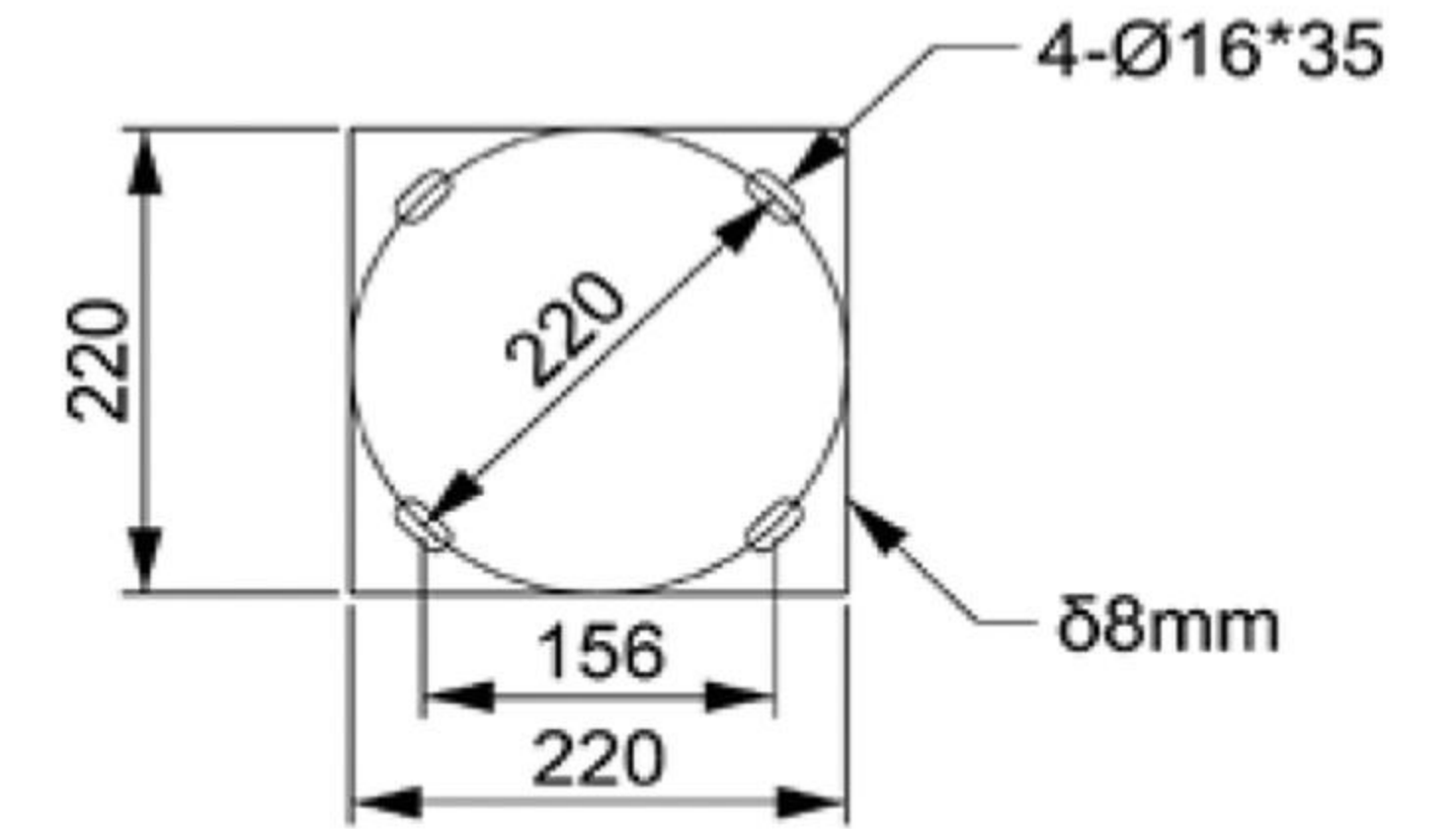


SPECIFICATION

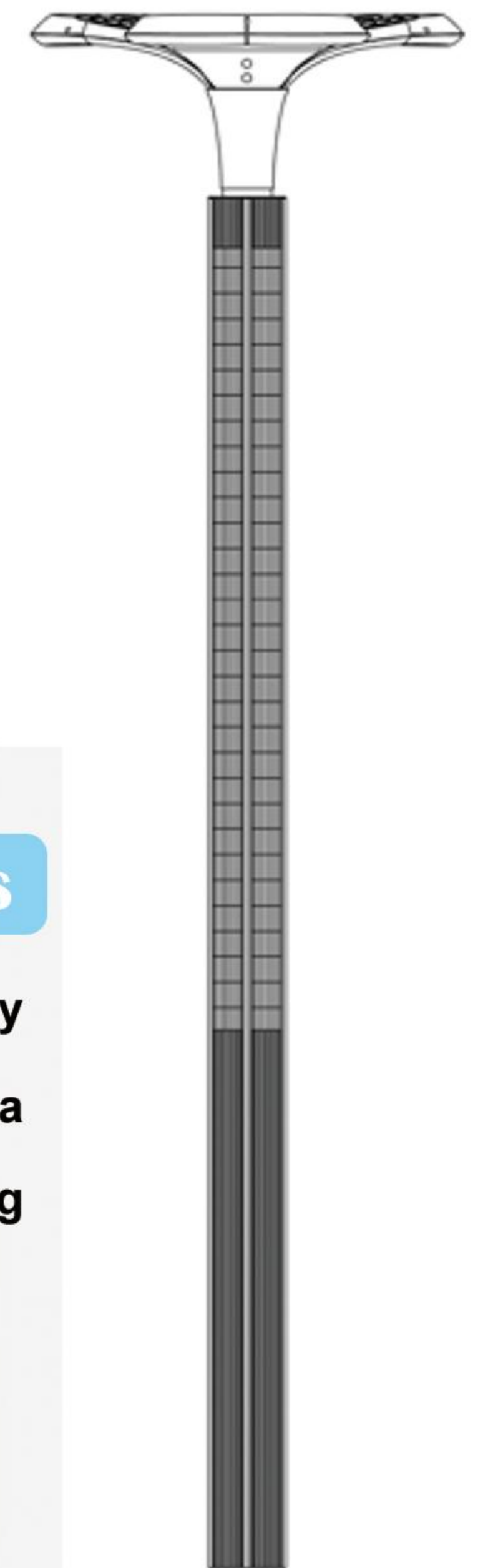
Lamp Power	20W/30W
Height	3.5M or as request
Material	Die Casting Aluminium
Voltage	3.2V
Solar Panel	80W
Battery	40Ah
Flange Diagonal	220mm
Thickness	1.8mm
Material Size	125x80mm
IP Rating	IP65



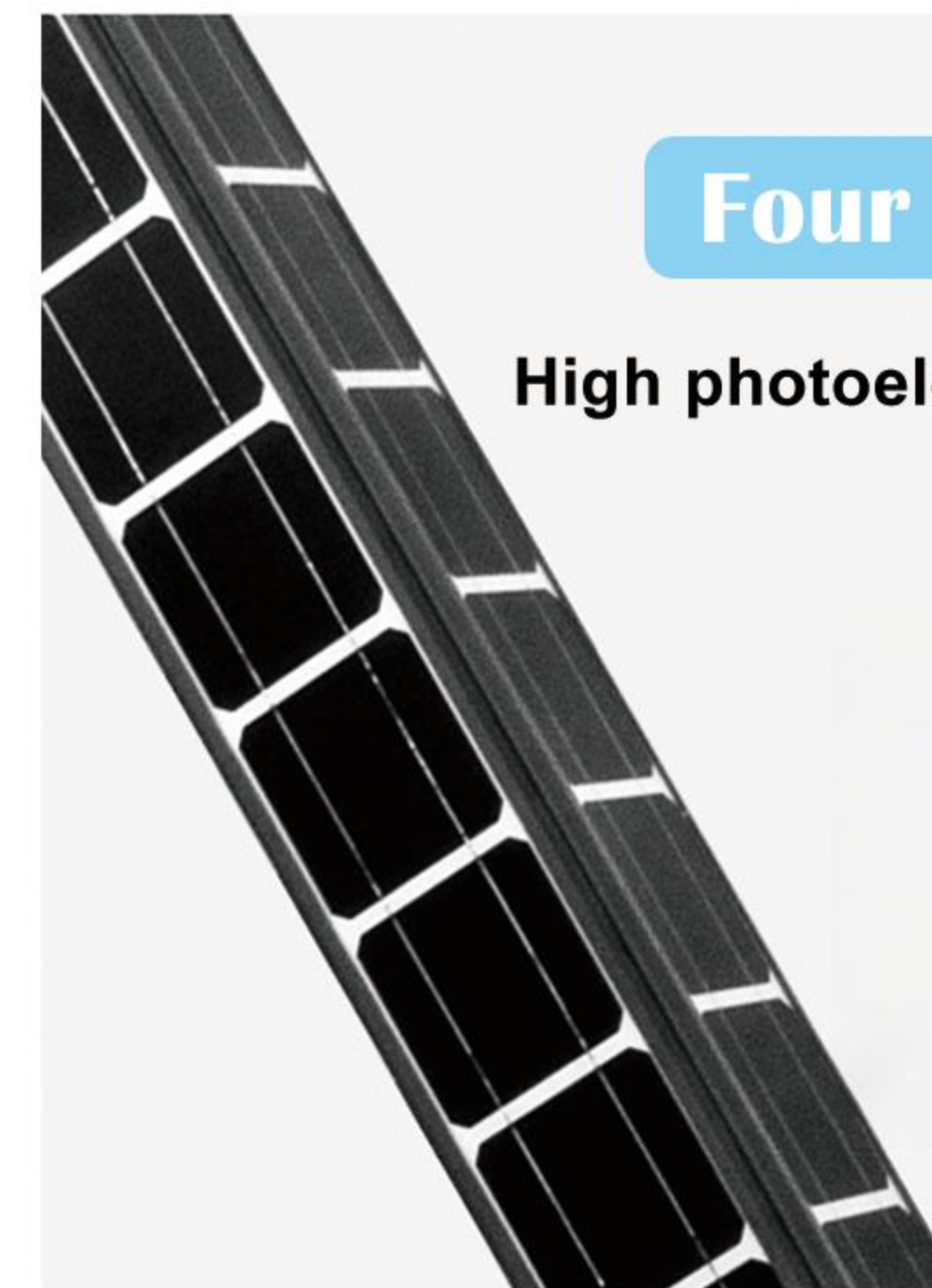
Front View



Flange



45° View



Four Sides Solar Panels

High photoelectric conversion efficiency
Large irradiation area
Fast charging



鼎凯电气科技扬州有限公司
DDK TECH ELECFACILITY CO., LTD



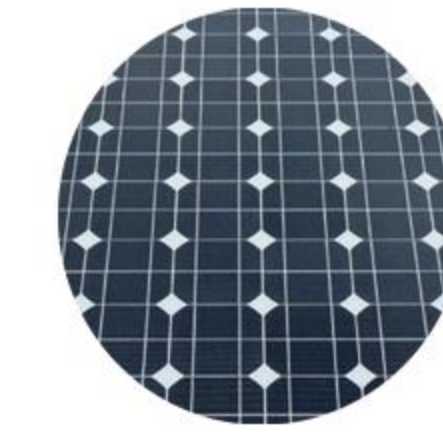
APPLICATIONS



Related Design for Lawn Lights

Four Sides Solar Panels

DDK-LL211

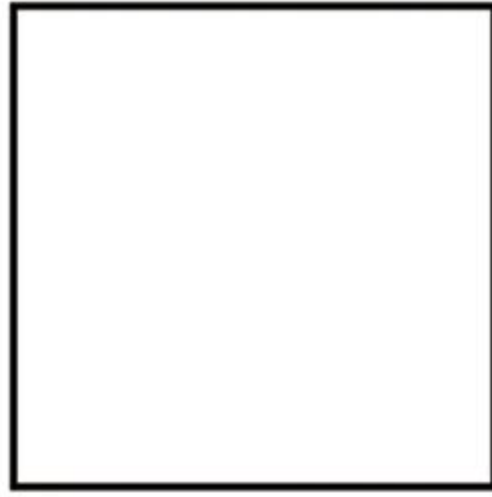


Solar Powered



Customized Color



Model	DDK-LL211
Cross section	 120mm x 120mm
Power	5W / CUSTOMIZED
Height	300mm
Material	6063 Aluminum
Color temp	3000k



Hexagon Wrap Solar Pole

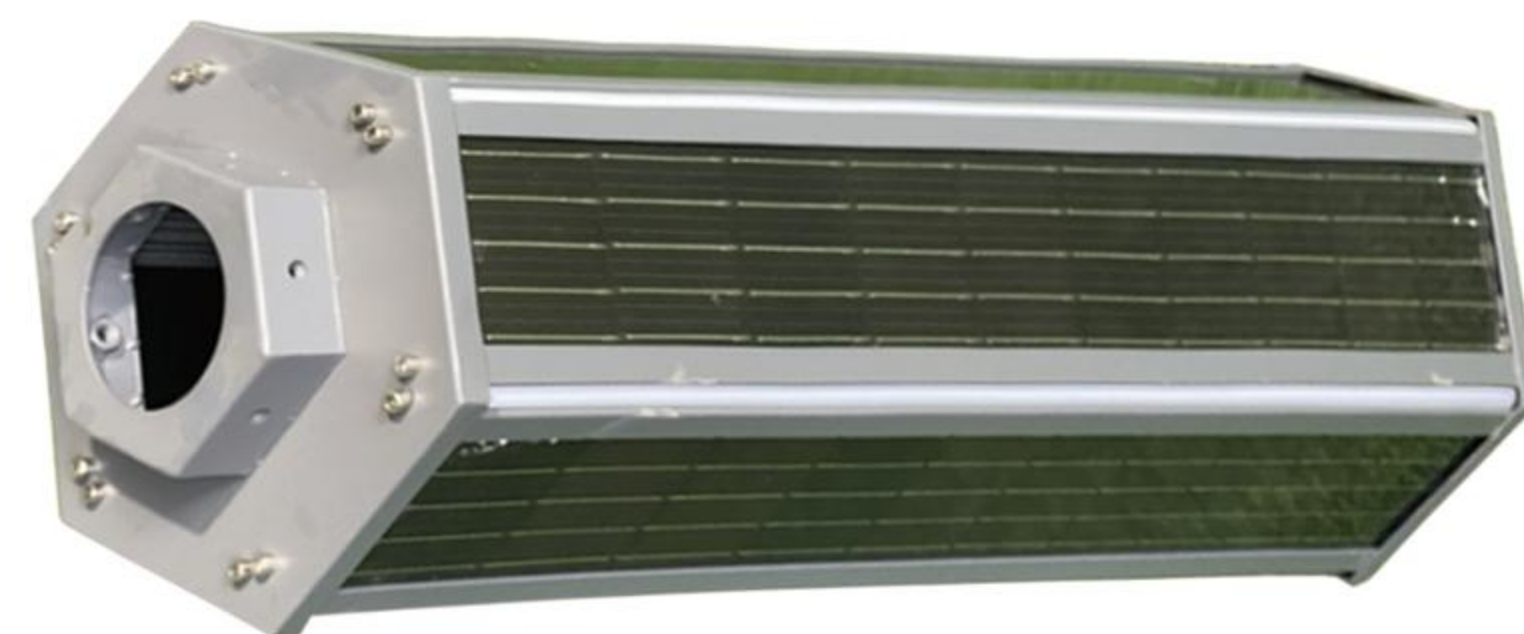
DDK-SL081

Upgrade your garden lighting with our uniquely shaped hexagonal solar tube! Designed not only to stand out but also to provide efficient energy, this innovative solar power source is perfect for powering garden lights. With its modern hexagonal design and durable construction, it harnesses the power of the sun to keep your outdoor spaces illuminated and eco-friendly. Stylish, sustainable, and easy to integrated, it's the perfect way to power your lights while enhancing the aesthetic of your garden.



SPECIFICATION

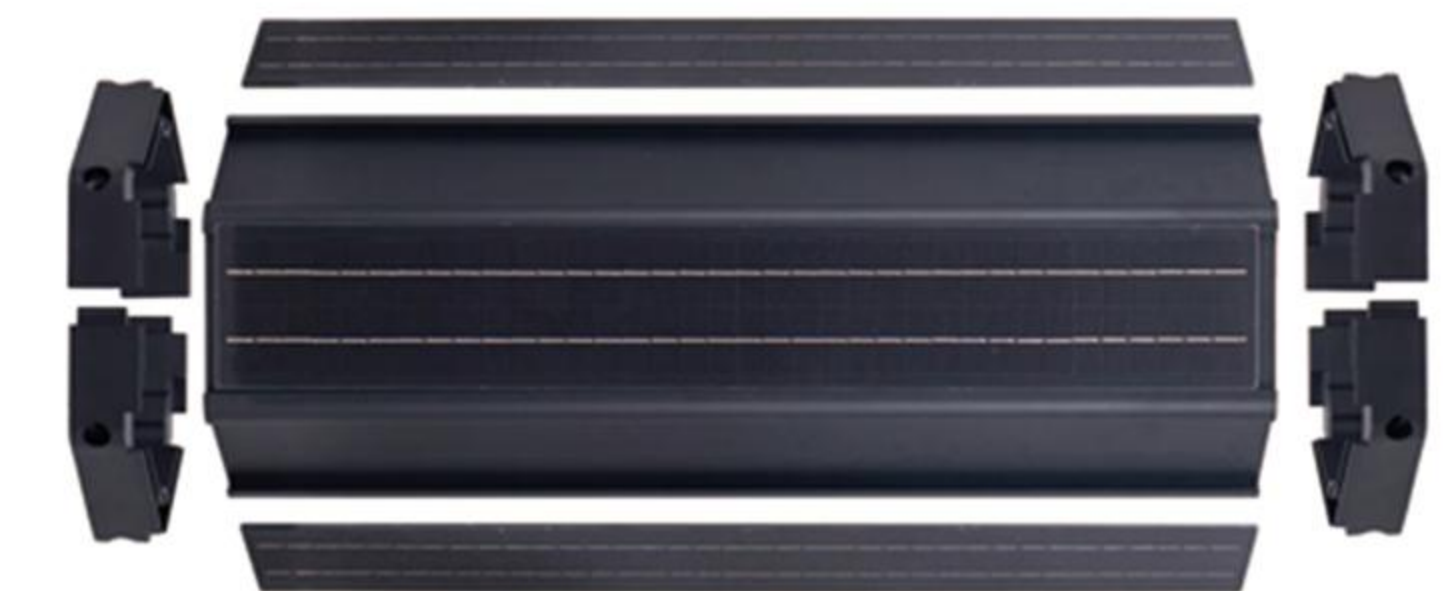
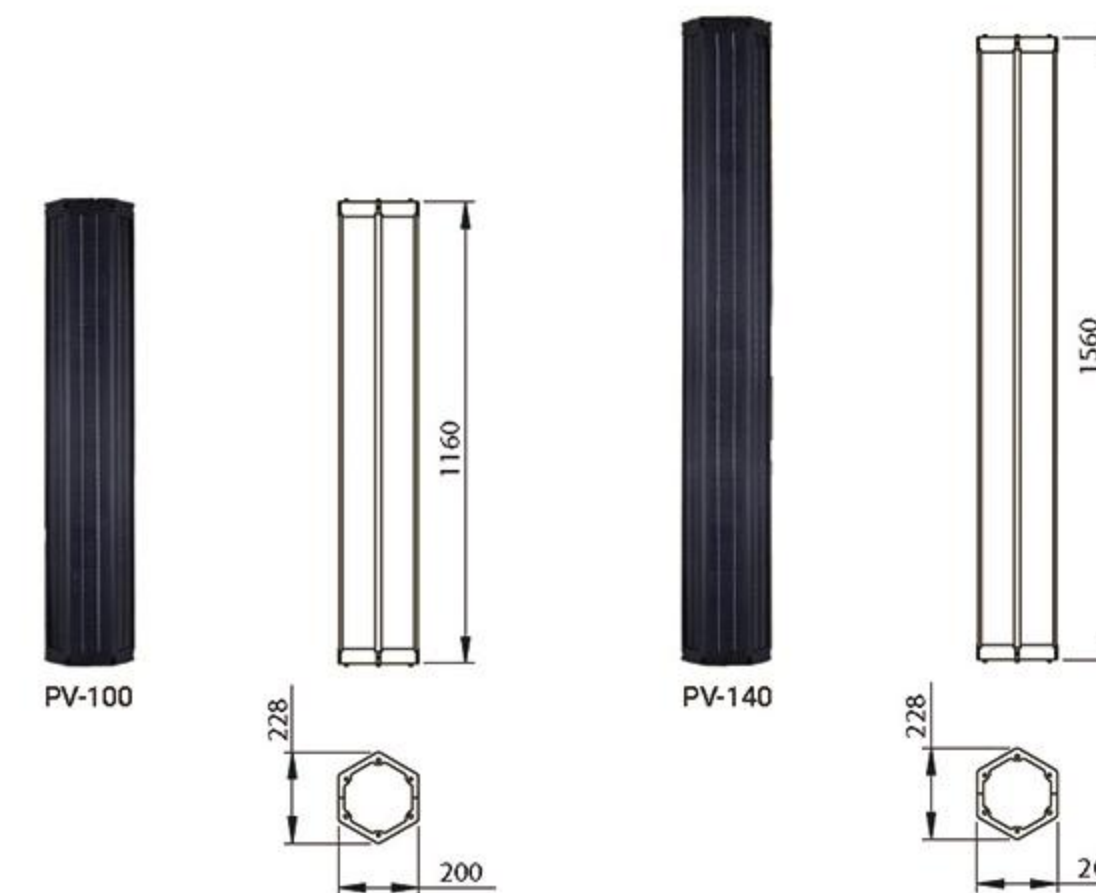
Power	220W
Dimensions	800x240x240mm
Material	Polycrystalline Silicon
Efficiency	24%
Weight	8.2KG
Current Type	DC
Application	Commercial



Octagon Wrap Solar Pole

SPECIFICATION

Power	100-150W
Dimensions	1560x228x200mm
Material	Mono crystalline Silicon
Efficiency	23%
Weight	17.2/28KG
Installation	Diameter=60-155mm
Voltage	18V



APPLICATIONS





鼎凯电气科技扬州有限公司

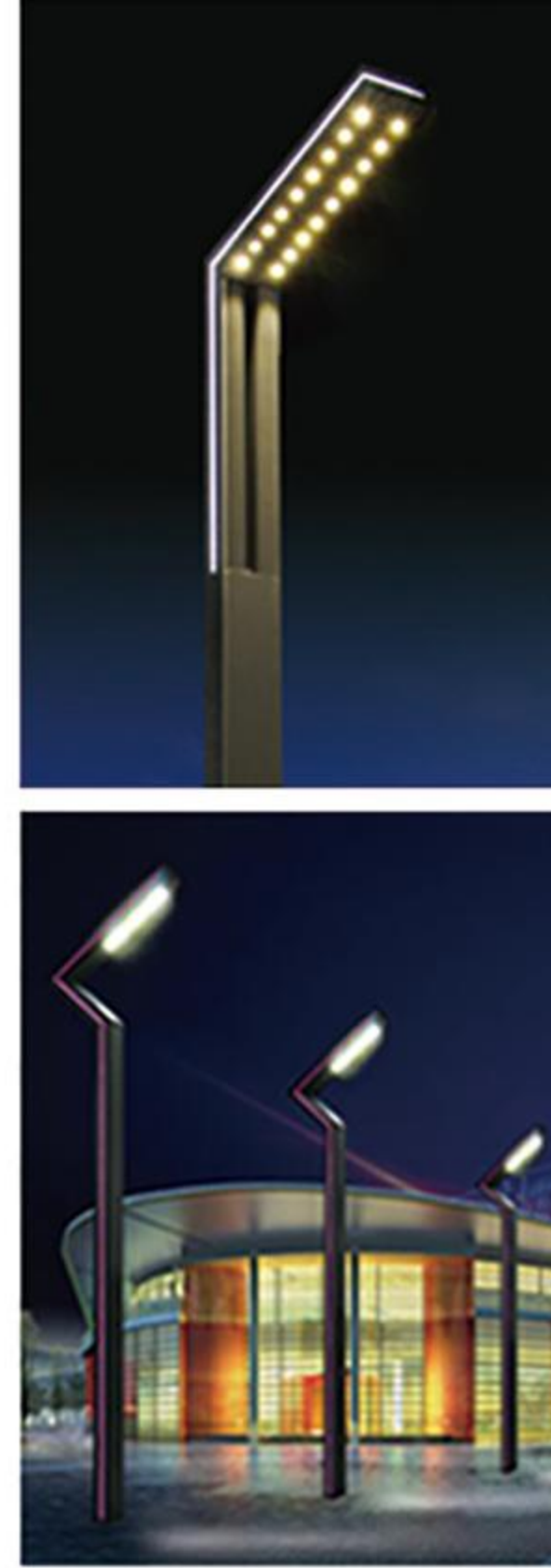
DDK TECH ELECFACILITY CO., LTD



AL.GARDEN LIGHTS



DDK-GN001 DDK-GN12612 DDK-GN002A2 DDK-GN002C3 DDK-GN12911



DDK-SL001B1 DDK-GN008G1 DDK-GN009D1



DDK-GN010C1 DDK-GN004 DDK-GN003B1 DDK-GN007H1



DDK-GN117D1 DDK-GN118H1 DDK-GN119A2 DDK-GN119C1



DDK-GN127B1



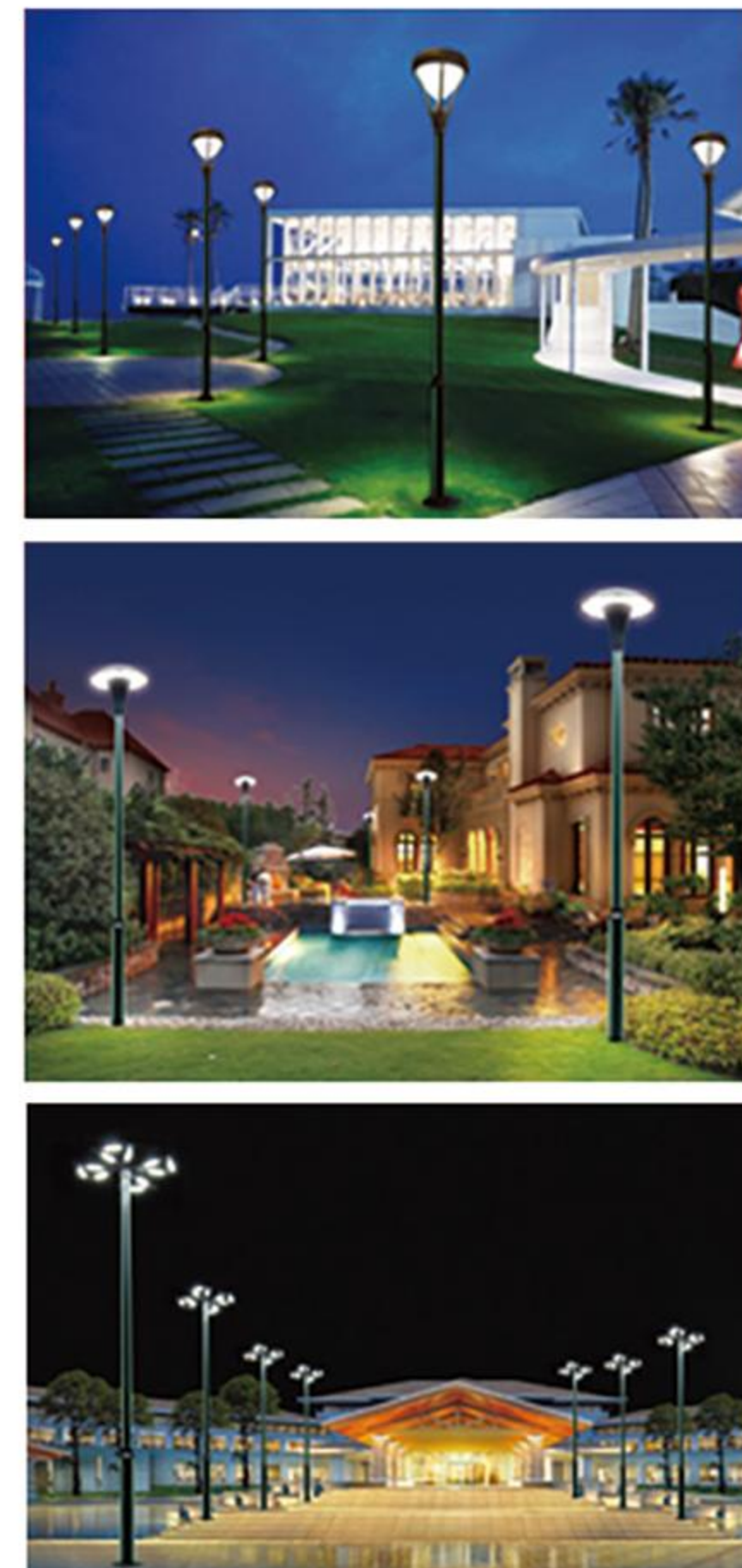
鼎凯电气科技扬州有限公司
DDK TECH ELECFACILITY CO., LTD



DDK-GN103Z3 DDK-GN103Z25 DDK-GN103Z5 DDK-GN103Z4



DDK-GN103Z10 DDK-GN103Z21 DDK-GN103Z11 DDK-GN103Z23



DDK-GG021R6 DDK-GG021R1 DDK-GG026G4 DDK-GG028C2 DDK-GG027B2



DDK-GG017A1 DDK-GG019A1 DDK-GG025J1 DDK-GG025J2 DDK-GG029C1 DDK-GG030G1



DDK-GG023I2 DDK-GG031D1



鼎凯电气科技扬州有限公司

DDK TECH ELECFACILITY CO., LTD



DDK-GL150

Add a touch of elegance to your home with our stunning aluminum decorative light! Crafted with a unique design and intricate patterns, this light fixture brings both style and sophistication to any indoor space. Made from premium Aluminum, it's not only visually striking but also durable, ensuring it remains a statement piece for years to come. Perfect for living rooms, dining areas or entryways, this one-of-a-kind light creates a warm, inviting atmosphere with a modern twist.



Specifications

Power	40w / 60w / 90w
Dimensions	2900x220x150mm
Material	Die casting Aluminum
Color T	3000k
Product weight	20kg
Input voltage	AC 165-265V
Beam angle	100
IP rating	IP65
Light source	LED
Lifespan	50000h
Support dimmer	Yes
Surface color	Red / Customize

Landscape Pole Lights

DDK-GL403



Customized Color



IP 65 Waterproof



Unique Mold

Model	DDK-GL403
Cross Section	
Power	50W / CUSTOMIZED
Height	Customized
Material	6063 Aluminum



鼎凯电气科技扬州有限公司

DDK TECH ELECFACILITY CO., LTD



Landscape Lawn Lights



DDK-LL201

Transform your outdoor areas with our beautifully designed LED lawn light! Available in various power options and heights, it offers the perfect balance of function and elegance. made from high quality Aluminim and completely waterpfoof, it' s built to withstand the elements while deliverng bright, energy efficient lighting. Whether for gardens, pathways ot patios, our lawn light adds a welcoming glow. makin your outdoors shine all year around



DDK-LL202



Specification

Power: 30w / 40w / 60w / 90w
 Height: 900mm
 Material: Die casting Aluminum
 Color T: 6000k
 Product weight: 1kg
 Input voltage: AC 165-265V
 Beam angle: 120
 IP rating: IP66
 Color rending index: 70
 Light source: LED
 Lifespan: 50000h
 Support dimmer: Yes



Specification

Power: 10 w / 15 w / 20w
 Height: 800mm
 Material: Die casting Aluminum
 Color T: 3000k
 Product weight: 2.5kg
 Input voltage: AC 165-265V
 Beam angle: 300
 IP rating: IP65
 Color rending index: 70
 Light source: LED
 Lifespan: 50000h
 Support dimmer:No

Model	DDK-LL202
Cross section	
Power	5W / CUSTOMIZED
Height	600mm
Material	6063 Aluminum



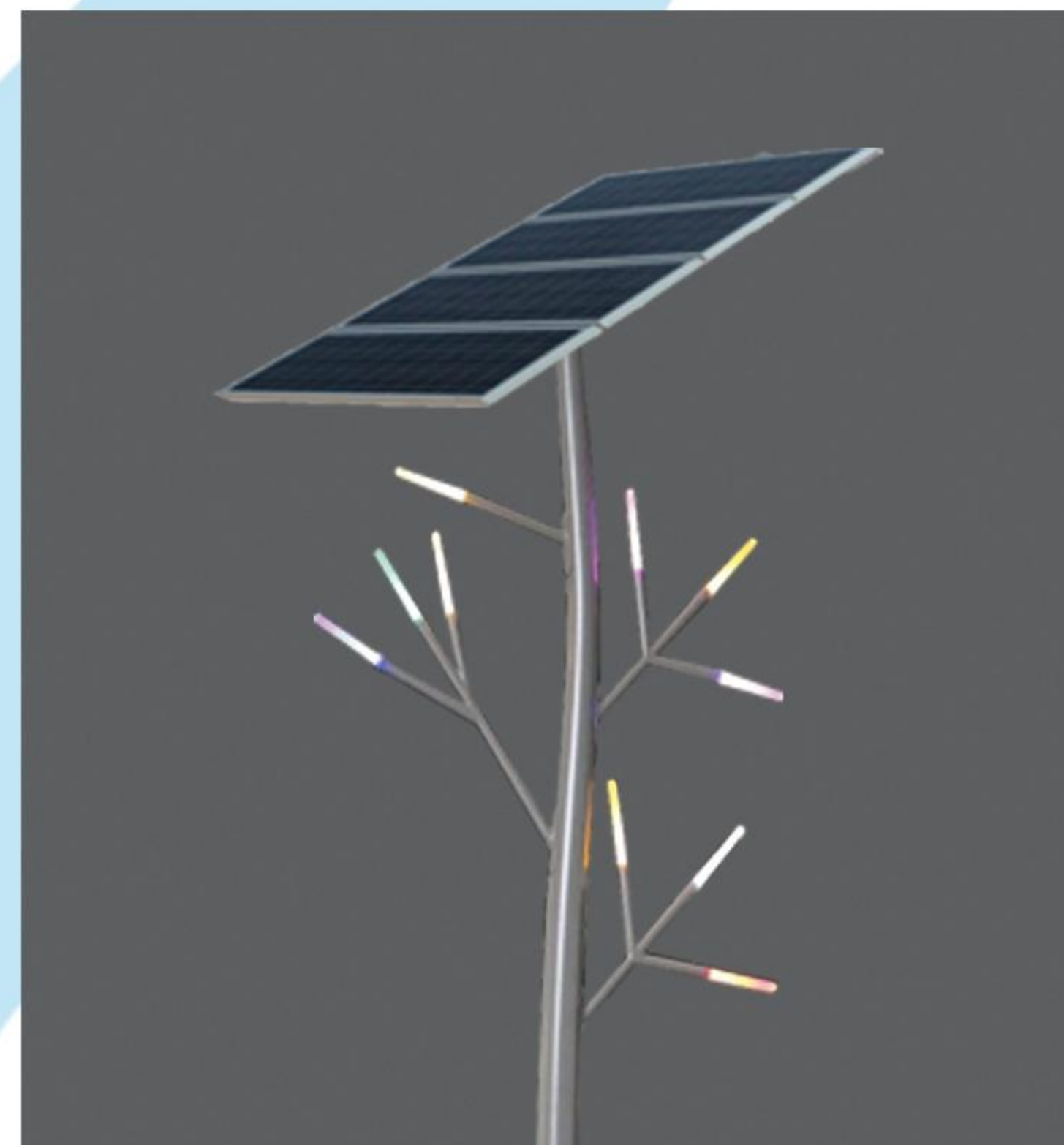
鼎凯电气科技扬州有限公司

DDK TECH ELECFACILITY CO., LTD



DDK-ST 780

Bring a touch of brilliance to your outdoor spaces with our unique solar tree! Featuring LED light tubes in place of branches, This modern design mimics the look of a tree while offering eco-friendly, solar powered lighting. made with high-quality materials and designed to withstand the elements, it' s perfect fot brightening up gardens, parks or walkways. Enjoy the beauty of the nature withthe poer of renewable energy, all wrapped up in one stunning light fixture!



Specifications

Power	30w / 60w / Customized
Height	5000mm
Material	Die casting Aluminum
Color T	3000-6000k
Product weight	40kg
Input voltage	AC 100-277V
Beam angle	120
IP rating	IP66
Light source	LED
Lifespan	50000h
Support dimmer	Yes
CRI	70

Landscape Lawn Lights

DDK-LL212



Customized color



IP 65 Waterproof

Model	DDK-LL212
Cross section	
Power	5W / CUSTOMIZED
Height	500mm
Material	6063 Aluminum
Color temp	3000k



鼎凯电气科技扬州有限公司

DDK TECH ELECFACILITY CO., LTD



DDK-LL203



Customized Color



IP 65 Waterproof



Unique Mold



Model	DDK-LL203
Cross section	
Power	15W / CUSTOMIZED
Height	800mm
Material	6063 Aluminum
Color temp	3000k

Landscape Lawn Lights

DDK-LL204



Unique Mold



Customized Color



IP 65 Waterproof

Model	DDK-LL204
Cross section	
Power	10W / CUSTOMIZED
Height	600mm
Material	6063 Aluminum



鼎凯电气科技扬州有限公司
DDK TECH ELECFACILITY CO., LTD



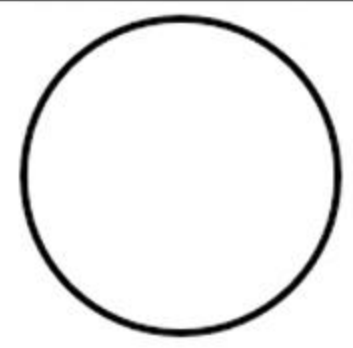
DDK-LL205



Customized Color



IP 65 Waterproof

Model	DDK-LL205
Cross section	 Φ170
Power	10W / CUSTOMIZED
Height	1000mm
Material	6063 Aluminum
Color temp	3000k

Landscape Lawn Lights

DDK-LL206



Customized Color



IP 65 Waterproof

Model	DDK-LL206
Power	5W / CUSTOMIZED
Height	300mm
Material	6063 Aluminum



Landscape Lawn Lights


DDK-LL207



DDK-LL208



Customized Color IP 65 Waterproof


Model	DDK-LL207
Cross section	 150x75mm
Power	10W / CUSTOMIZED
Height	800mm
Material	6063 Aluminum
Color temp	3000k/6000k
Input voltage	AC85-265V



Customized Color



IP 65 Waterproof

Model	DDK-LL208
Cross section	 200 x 200 mm
Power	10W / CUSTOMIZED
Height	800mm
Material	6063 Aluminum
Color temp	3000k / 6000k





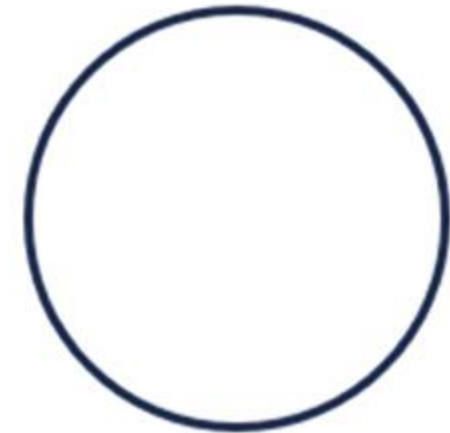
DDK-LL209



Customized Color



IP 65 Waterproof

Model	DDK-LL209
Cross section	 Ø100mm
Power	5W / CUSTOMIZED
Height	600mm
Material	6063 Aluminum

Landscape Lawn Lights

DDK-LL210



Designed with a sleek, concise aesthetic, this lamp combines elegance and modern style. Built with high-quality 6063 aluminum, it features high-tenacity, recyclable materials. Equipped with premium LED chips, the pole includes colorful LED strips for customizable lighting. The nano multi-functional coating ensures durability, protecting against rust and scratches. Perfect for public gardens, business areas, luxury villas, parks, plazas, and pavements, this light enhances any outdoor space.

Specification

Power	8w - 12w
Dimensions	800x150x75mm
Material	6063 Aluminum
Color T	3000 - 6000k
Product weight	5kg
Input voltage	AC 85-265V
Beam angle	100
IP rating	IP65
Light source	LED
Efficiency	87%
Strip Color	RGB/ white / pink





鼎凯电气科技扬州有限公司
DDK TECH ELECFACILITY CO., LTD



Stainless Steel Lawn Lights

DDK-SSLL01 Series



DDK-403LB01



DDK-403LB02



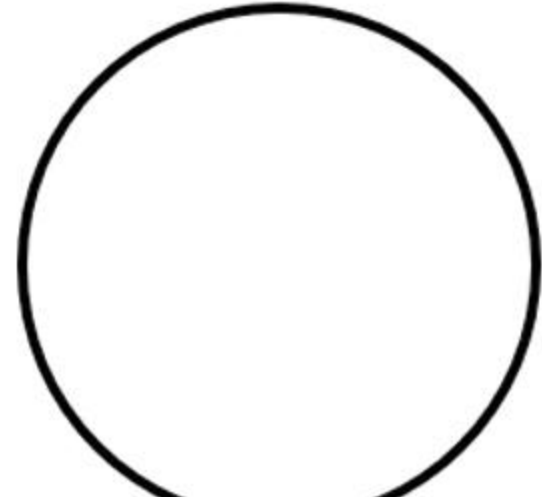
DDK-403LB03



Customized Color



Stainless Steel

Model	DDK-SSLL01 Series
Cross Section	 Ø219mm
Power	15W / CUSTOMIZED
Height	100cm
Material	Stainless steel 304
LED lm/w	89 lm/w

Package and Shipping





鼎凯电气科技扬州有限公司

DDK TECH ELECFACILITY CO., LTD



More Designs



DDK-LL798



DDK-LL799



DDK-LL800



DDK-LL807



DDK-LL808



DDK-LL809



DDK-LL801



DDK-LL802



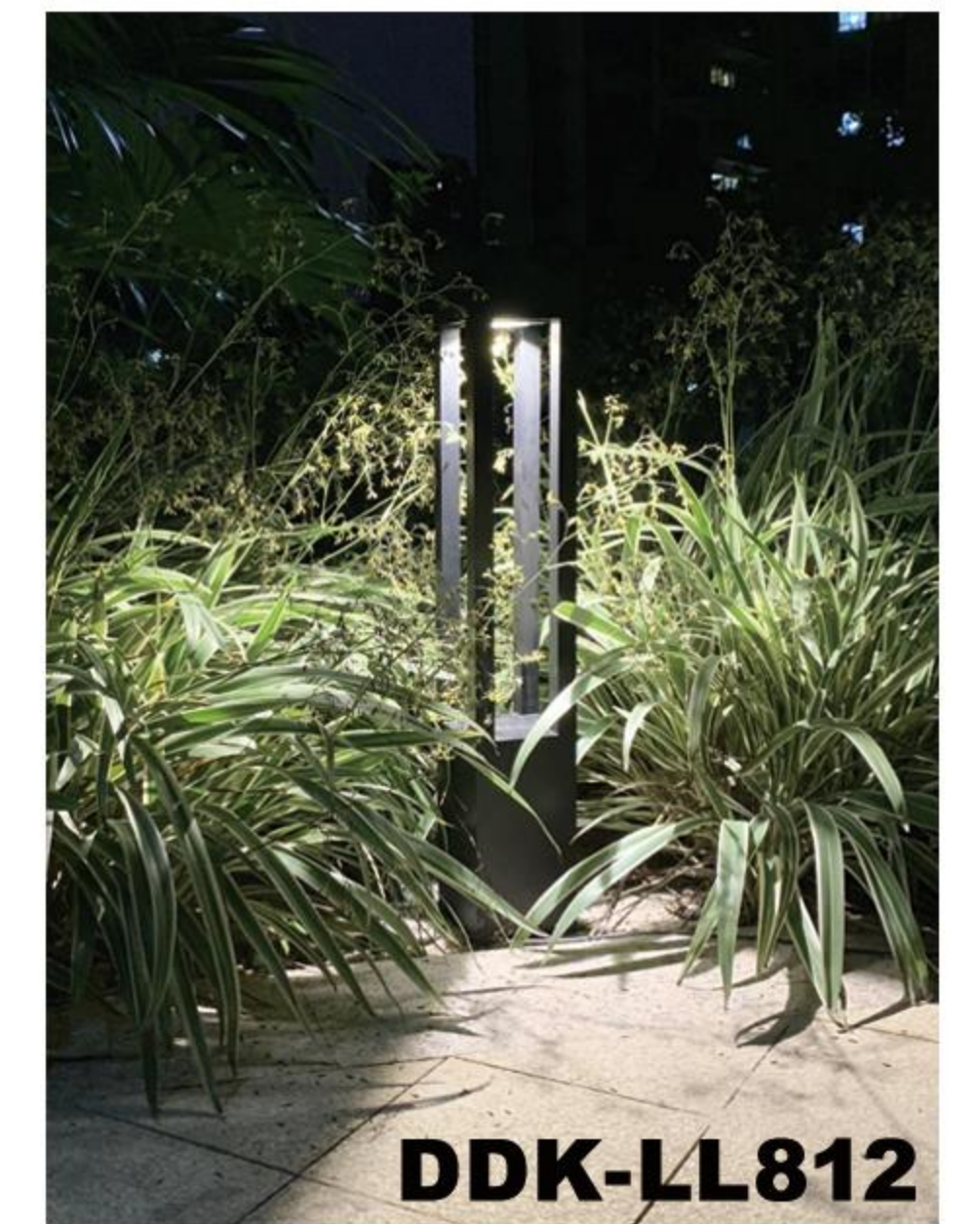
DDK-LL803



DDK-LL810



DDK-LL811



DDK-LL812



DDK-LL804



DDK-LL805



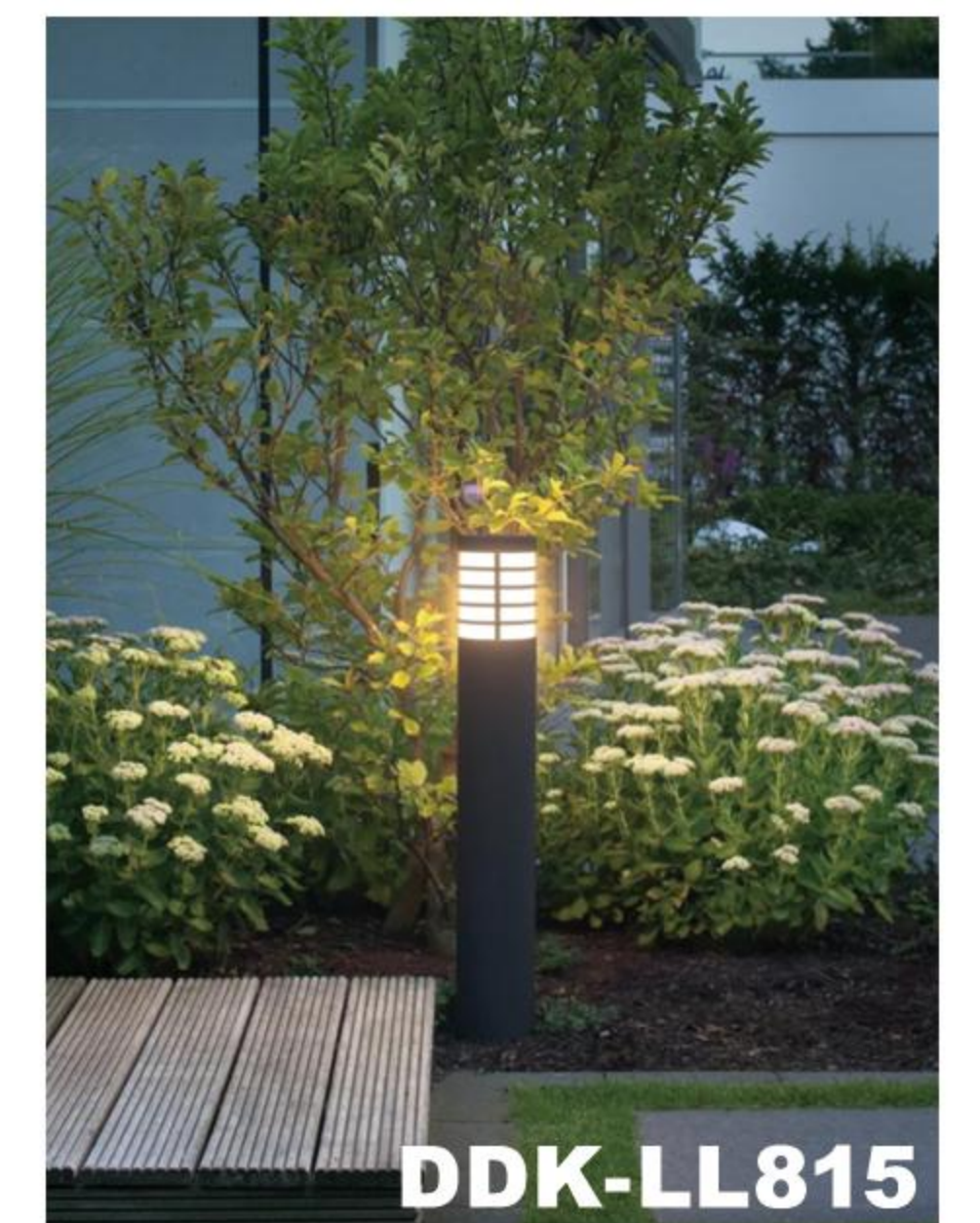
DDK-LL806



DDK-LL813



DDK-LL814



DDK-LL815



鼎凯电气科技扬州有限公司

DDK TECH ELECFACILITY CO., LTD



DDK-GL024



DDK-GL025



DDK-GL026



DDK-GL027



DDK-GL028



DDK-GL029



DDK-GL030



DDK-GL031



DDK-GL032



DDK-GL033



DDK-GL034



DDK-GL035



DDK-GL036



DDK-GL037



DDK-GL038



DDK-GL039



DDK-GL040



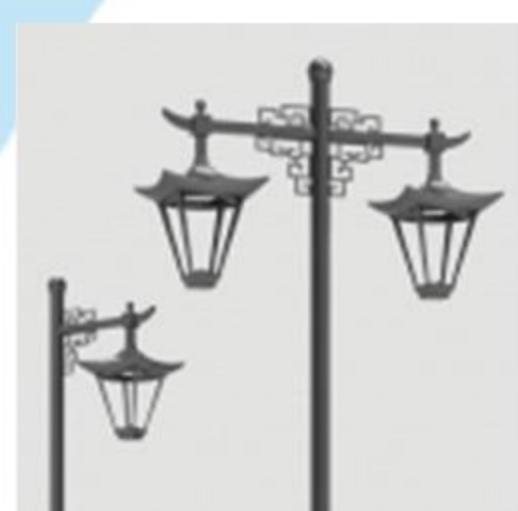
DDK-GL041



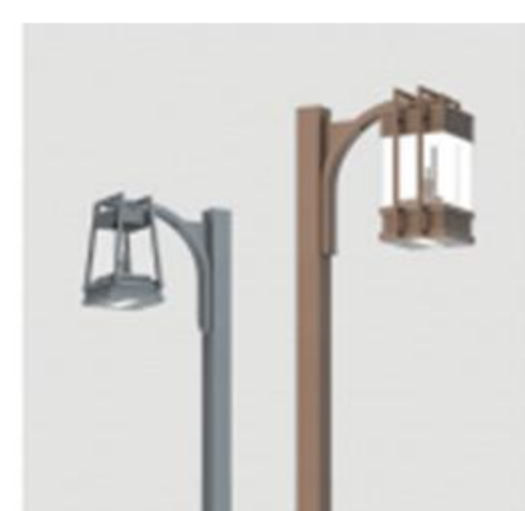
DDK-GL042



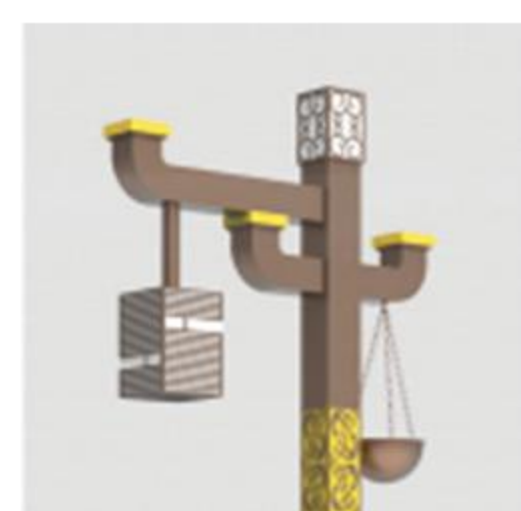
DDK-GL043



DDK-GL044



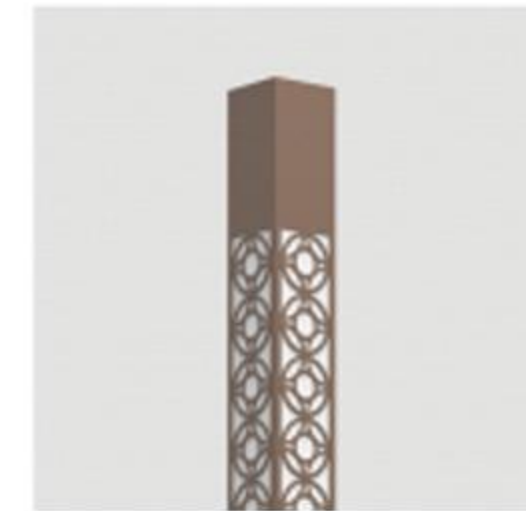
DDK-GL045



DDK-GL046



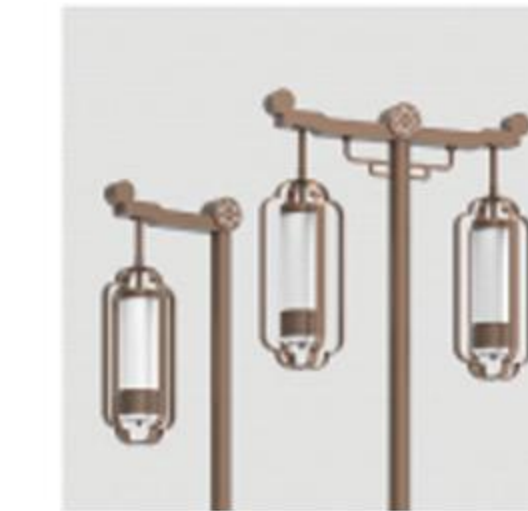
DDK-GL047



DDK-GL048



DDK-GL049



DDK-GL050



DDK-GL051



DDK-GL052



DDK-GL053



DDK-GL054



DDK-GL055



DDK-GL056



DDK-GL057



DDK-GL058



DDK-GL059



DDK-GL060



DDK-GL061



DDK-GL062



DDK-GL063



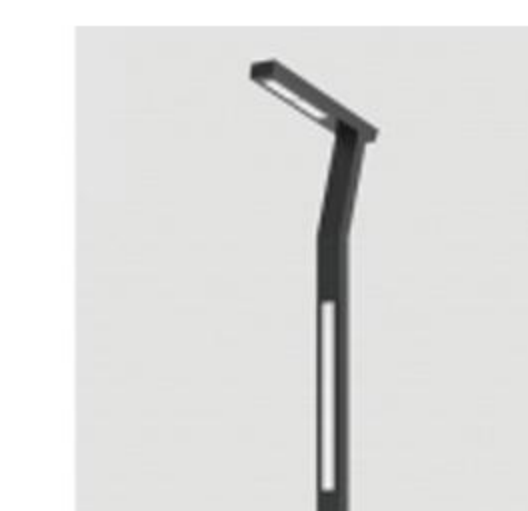
DDK-GL064



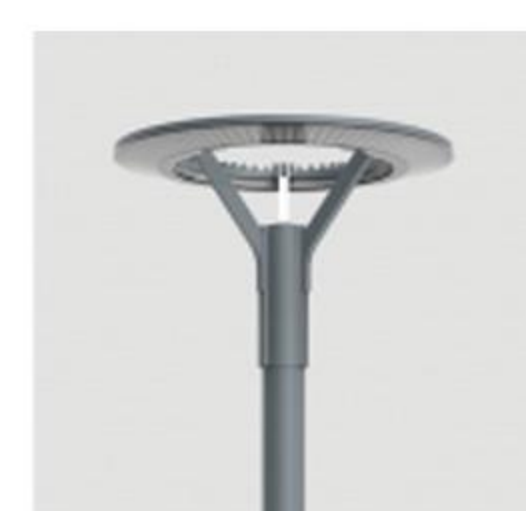
DDK-GL065



DDK-GL066



DDK-GL067



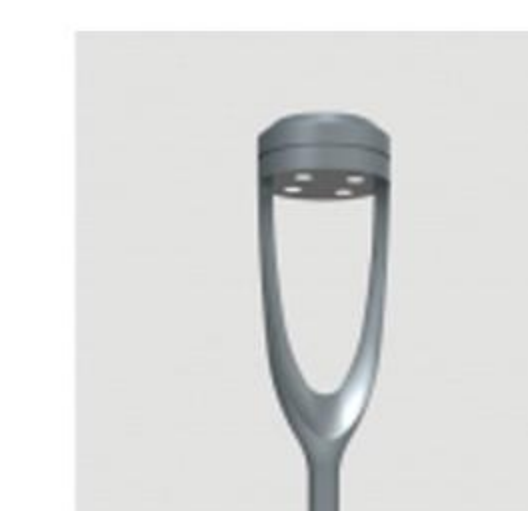
DDK-GL068



DDK-GL069



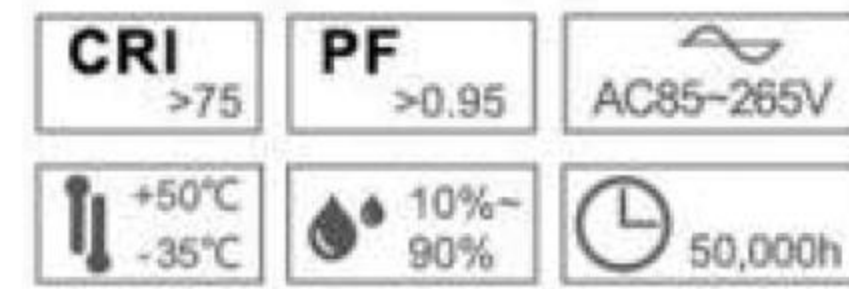
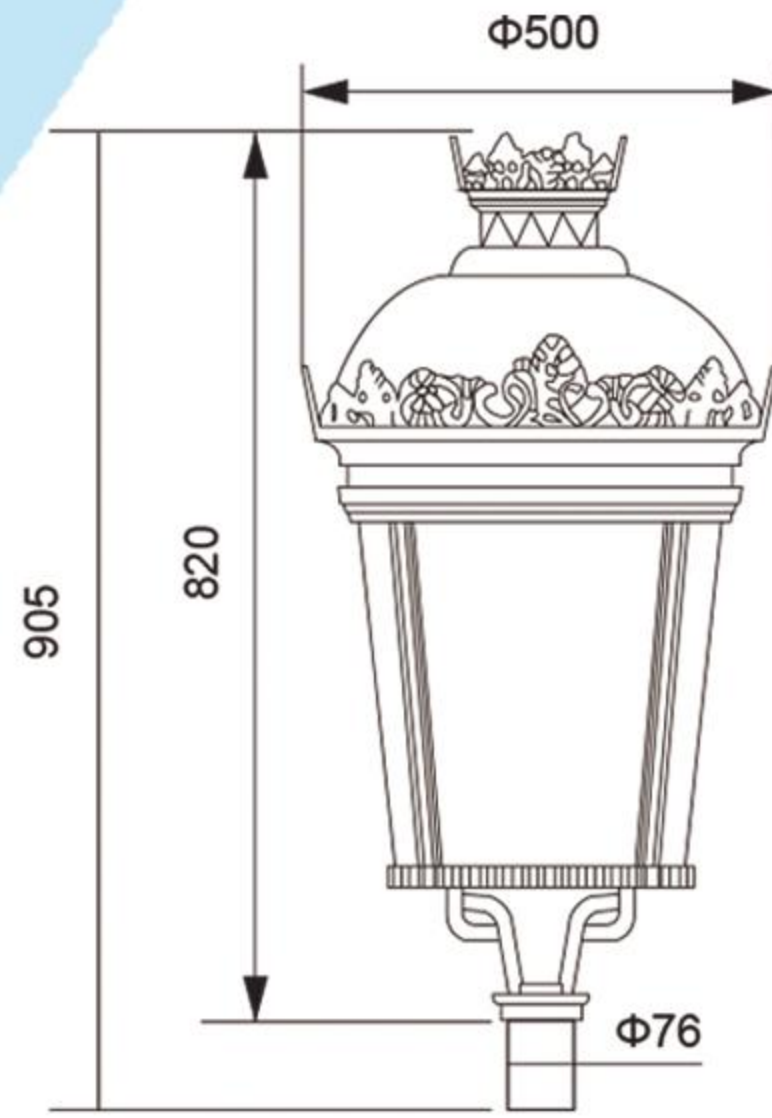
DDK-GL070



DDK-GL071

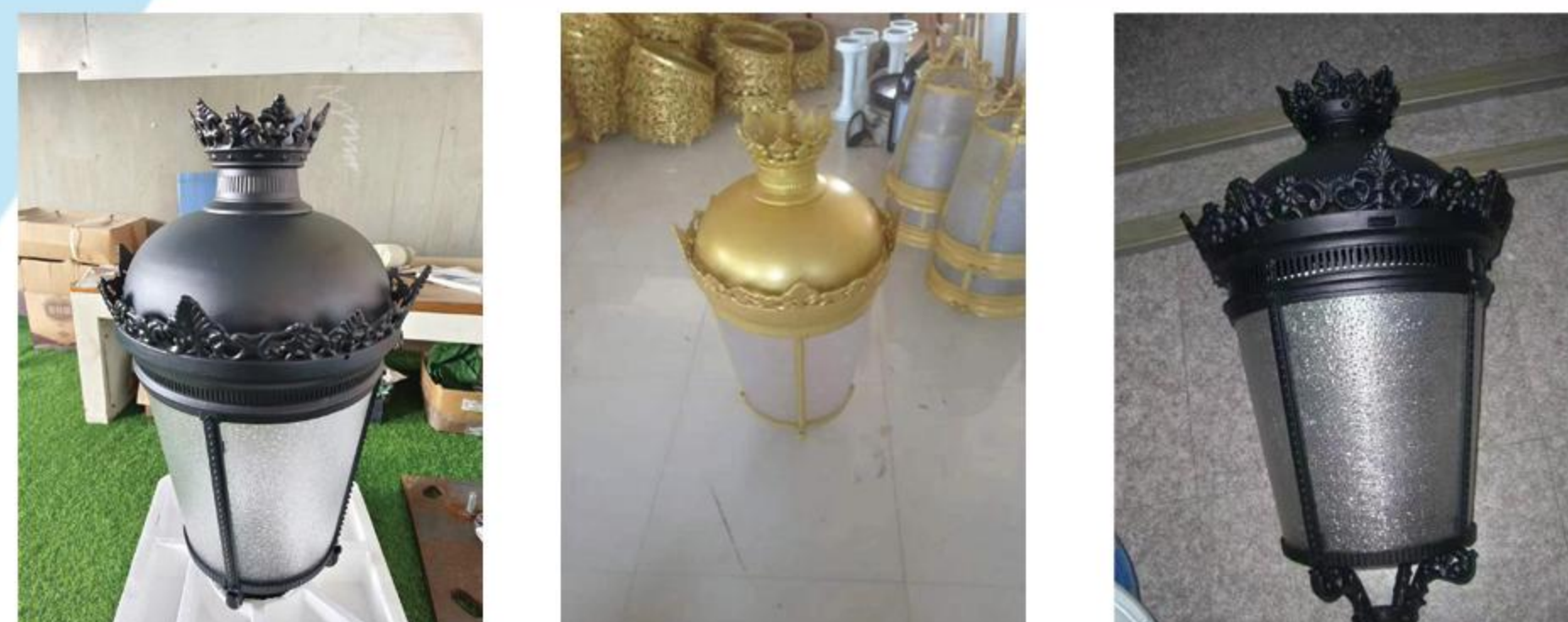


DDK-GL101



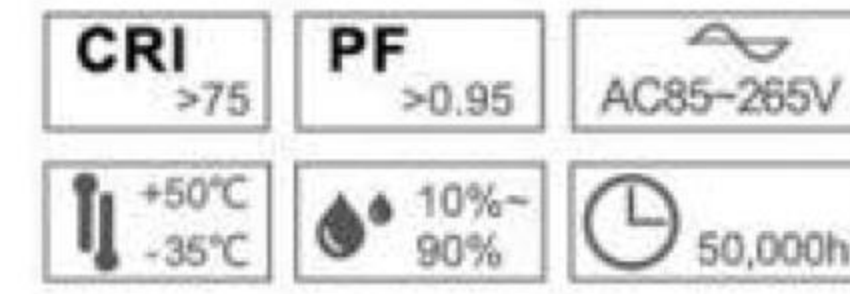
Specifications

Wattage	40W -100W	40W -100W
Average Lumen	around 100 LM/W	around 100 LM/W
Chip Brand	LUMILEDS/CREE/SAN'AN	LUMILEDS/CREE/SAN'AN
Driver Brand	MW /MOSO/INVENTRONICS	MW /MOSO/INVENTRONICS
Power Factor	>0.95	>0.95
Voltage Range	90V-305V	90V-305V
Surge Protection	10KV/20KV	10KV/20KV
Insulation Class	Class I / II	Class I / II
Kelvin Range	3000-6500K	3000-6500K
CRI	>70	>70
Working Temperature	(-35°C to 50°C)	(-35°C to 50°C)
IP Class	IP66	IP66
IK Class	≥IK08	≥IK08
Life Span (Hours)	>50000 hours	>50000 hours
Material	Diecasting aluminium	Diecasting aluminium
Packing Size	470 x 460 x 680mm	470 x 460 x 680mm
Installation Spigot	27mm	76/60mm

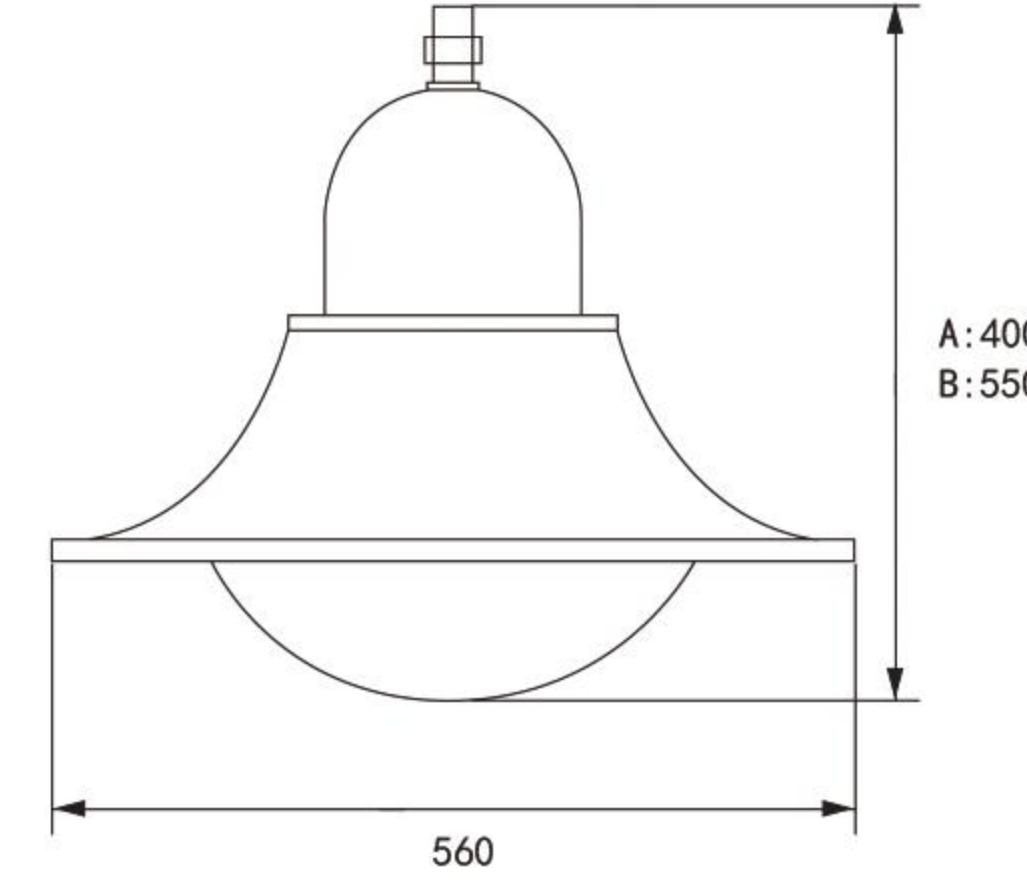


Landscape Garden Lights

DDK-GL102



30W-60W



Multiple Interface Adaptation



Specifications

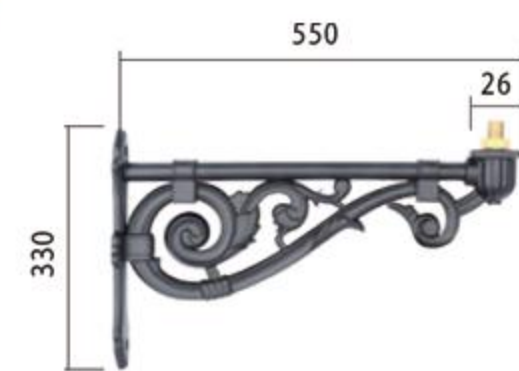
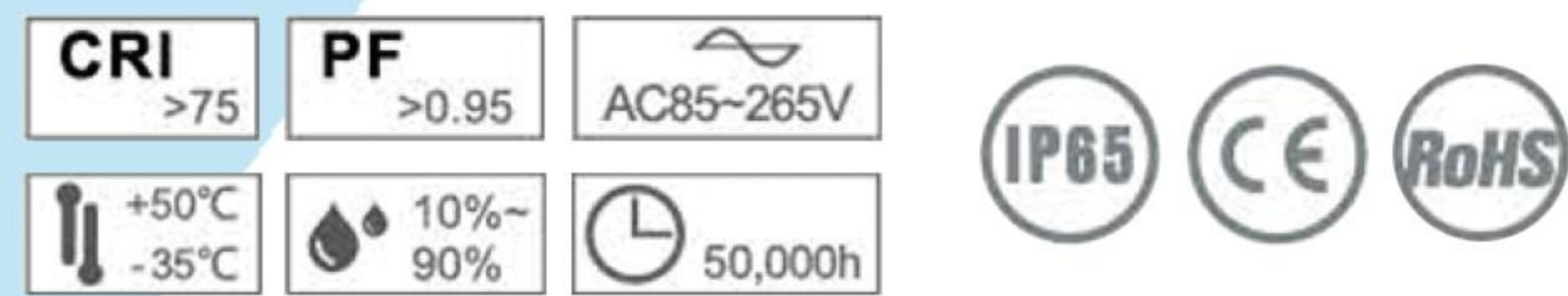
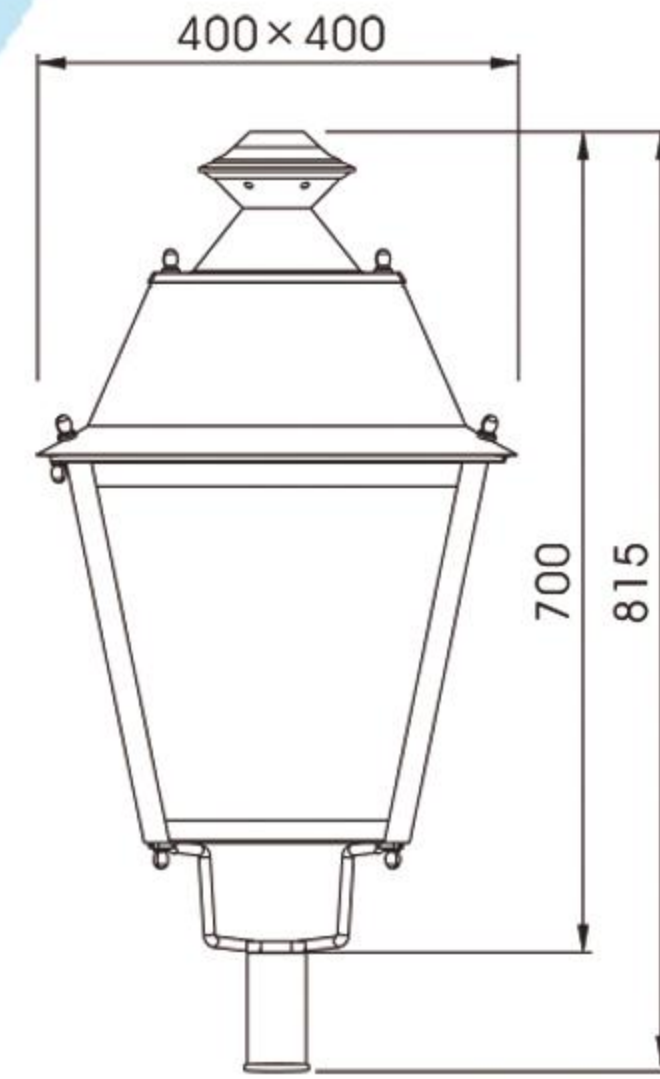
Wattage	20W-90W
Average Lumen	around 100 LM/W
Chip Brand	LUMILEDS/CREE/SAN'AN
Driver Brand	MW /MOSO/INVENTRONICS
Power Factor	>0.95
Voltage Range	90V-305V
Surge Protection	10KV/20KV
Insulation Class	Class I / II
Kelvin Range	3000-6500K
CRI	>70
Working Temperature	(-35°C to 50°C)
IP Class	IP66
IK Class	≥IK08
Life Span (Hours)	>50000 hours
Material	Diecasting aluminium
Packing Size	580 x 580 x 420mm
Installation Spigot	According to requirements





Landscape Garden Lights

DDK-GL103



Diecasting Alu. Arm



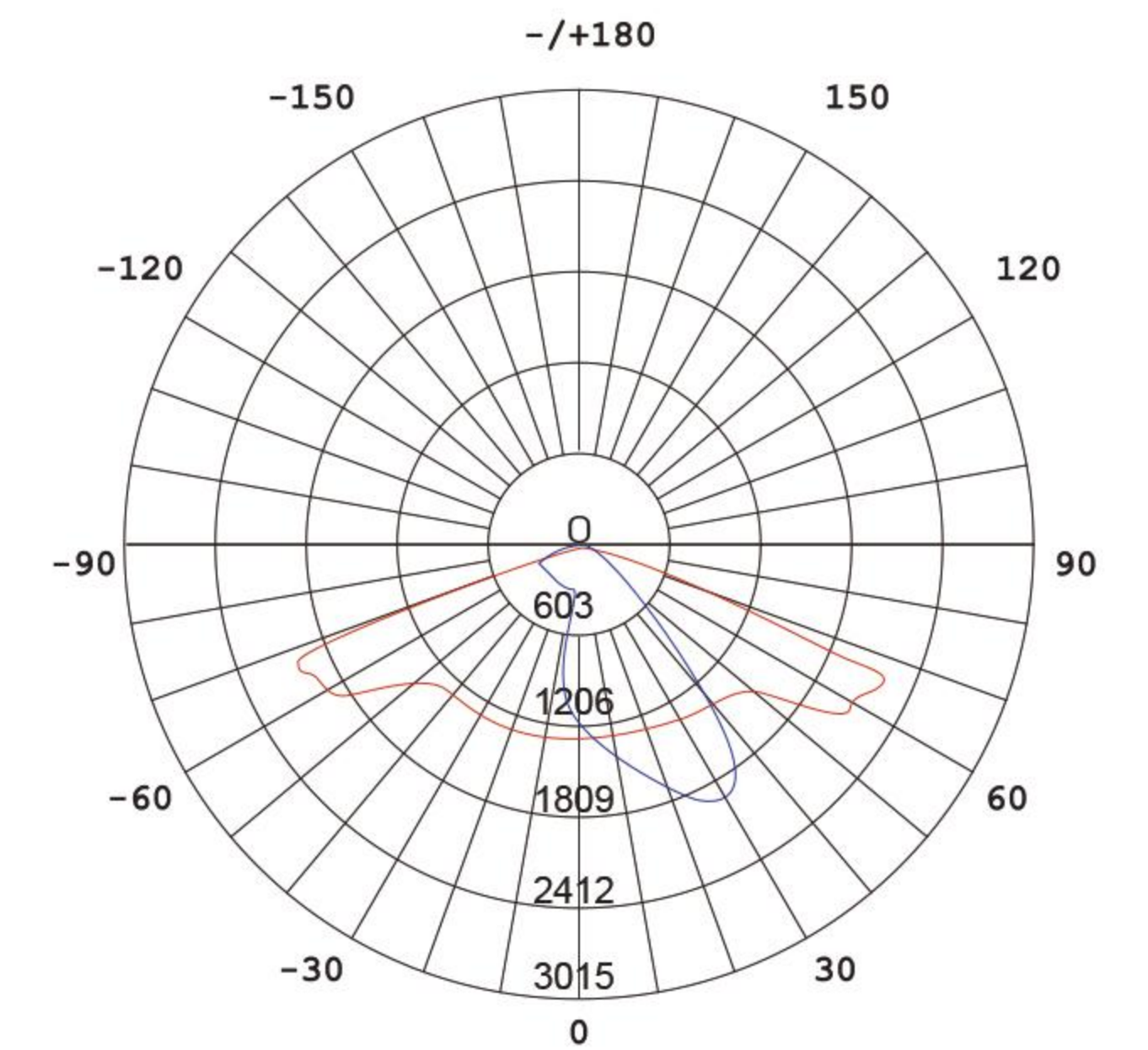
D

Specification

Wattage	20W-100W
Average Lumen	around 100 LM/W
Chip Brand	LUMILEDS/CREE/SAN'AN
Driver Brand	MW /MOSO/INVENTRONICS
Power Factor	>0.95
Voltage Range	90V-305V
Surge Protection	10KV/20KV
Insulation Class	Class I / II
Kelvin Range	3000-6500K
CRI	>70
Working Temperature	(-35°C to 50°C)
IP Class	IP66
IK Class	≥IK08
Life Span (Hours)	>50000 hours
Material	Diecasting aluminium
Packing Size	410 x 410 x 640mm
Installation Spigot	76/60/27mm



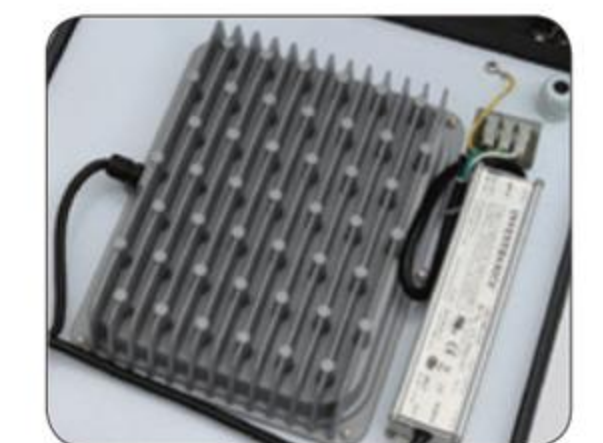
Distribution



Inner Details



Driver SPD

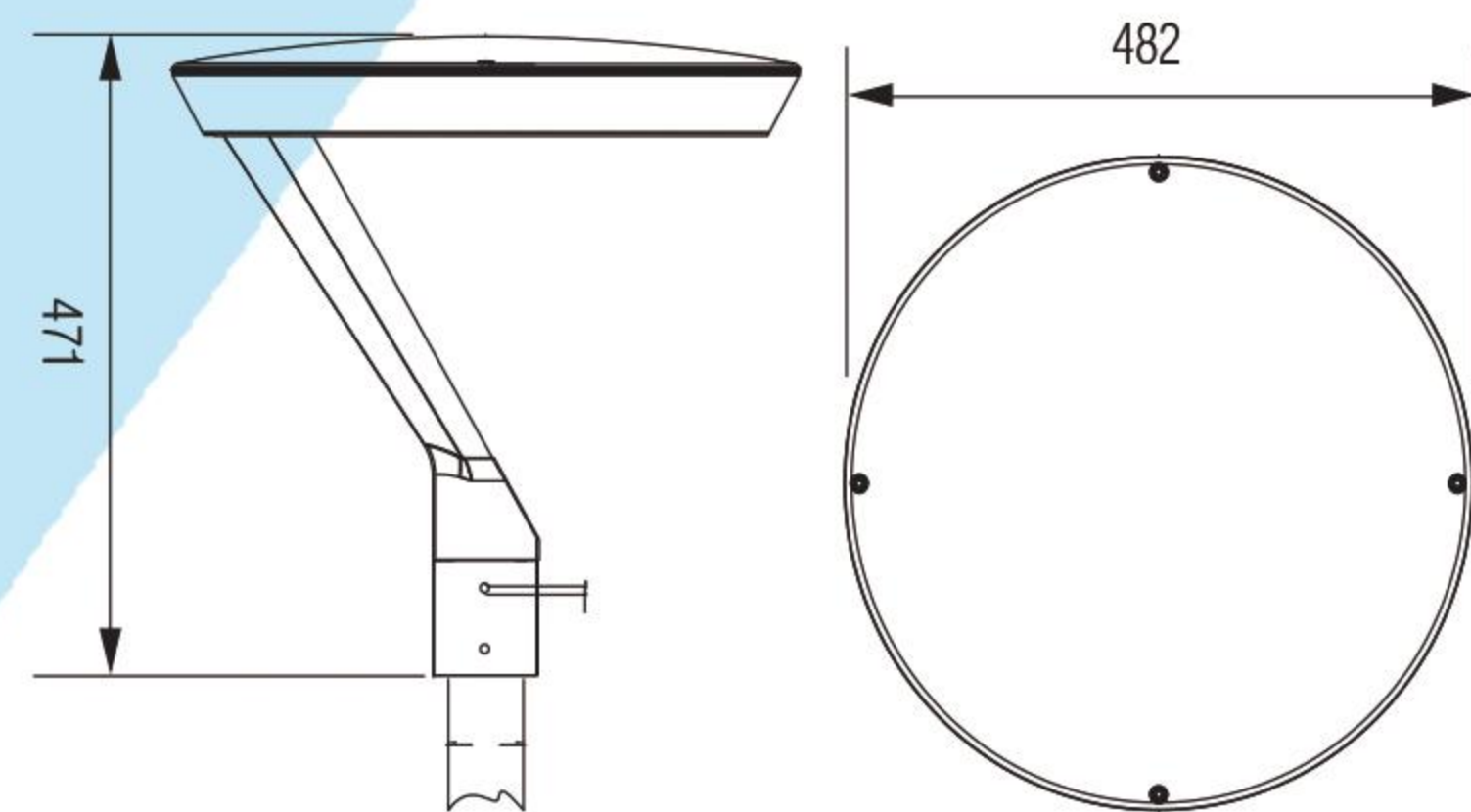
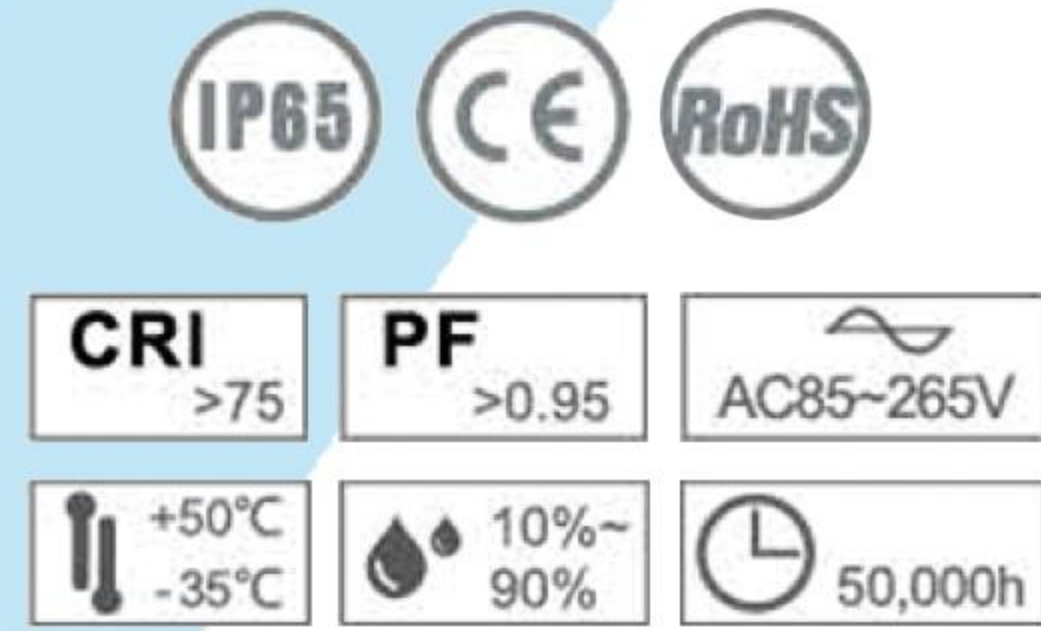


Power : 30W - 60W
Size : 300x70x48mm

30W-60W



DDK-GL104



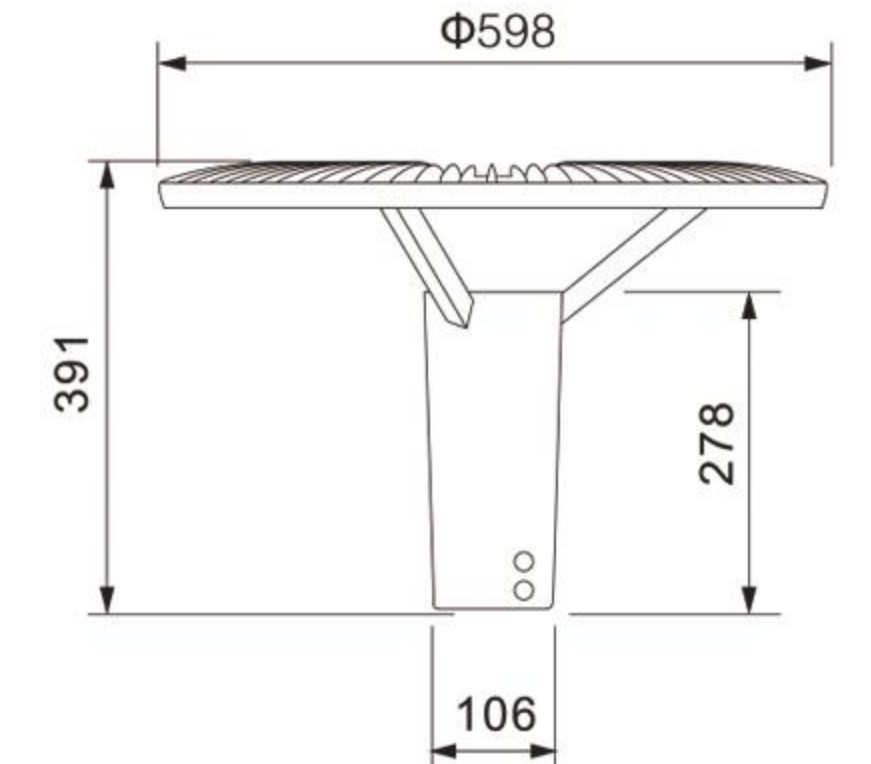
Specification

Wattage	20W-100W
Average Lumen	around 100 LM/W
Chip Brand	LUMILEDS/CREE/SAN'AN
Driver Brand	MW /MOSO/INVENTRONICS
Power Factor	>0.95
Voltage Range	90V-305V
Surge Protection	10KV/20KV
Insulation Class	Class I / II
Kelvin Range	3000-6500K
CRI	>70
Working Temperature	(-35°C to 50°C)
IP Class	IP66
IK Class	≥IK08
Life Span (Hours)	>50000 hours
Material	Diecasting aluminium
Packing Size	520 x 520 x 520mm
Installation Spigot	60mm

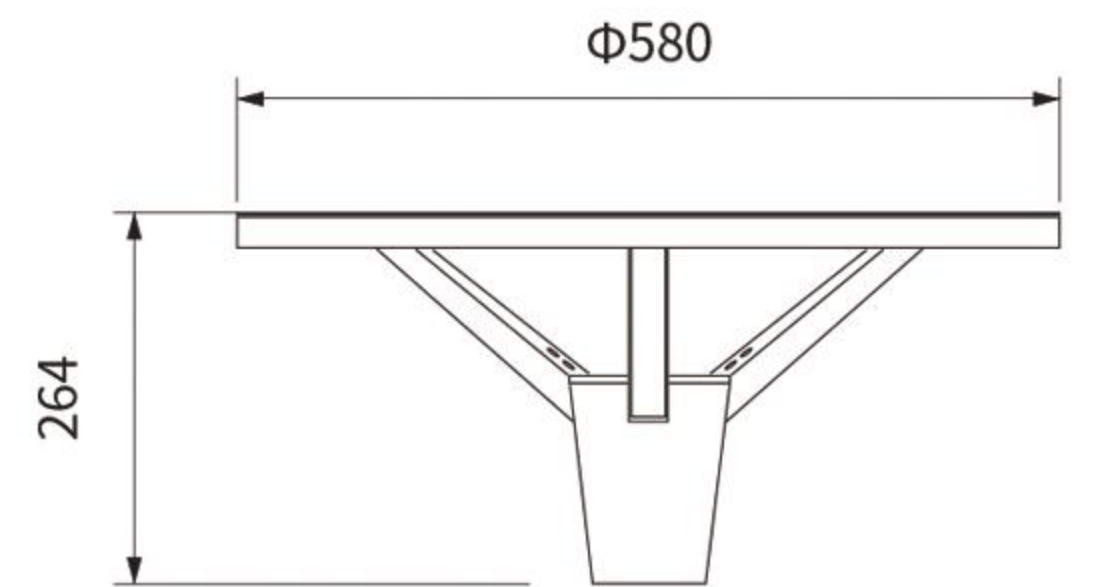


Landscape Garden Lights

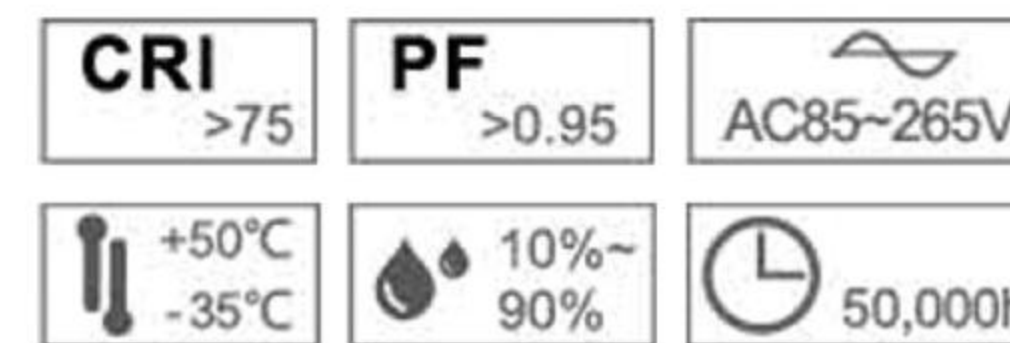
DDK-GL105 Series



A

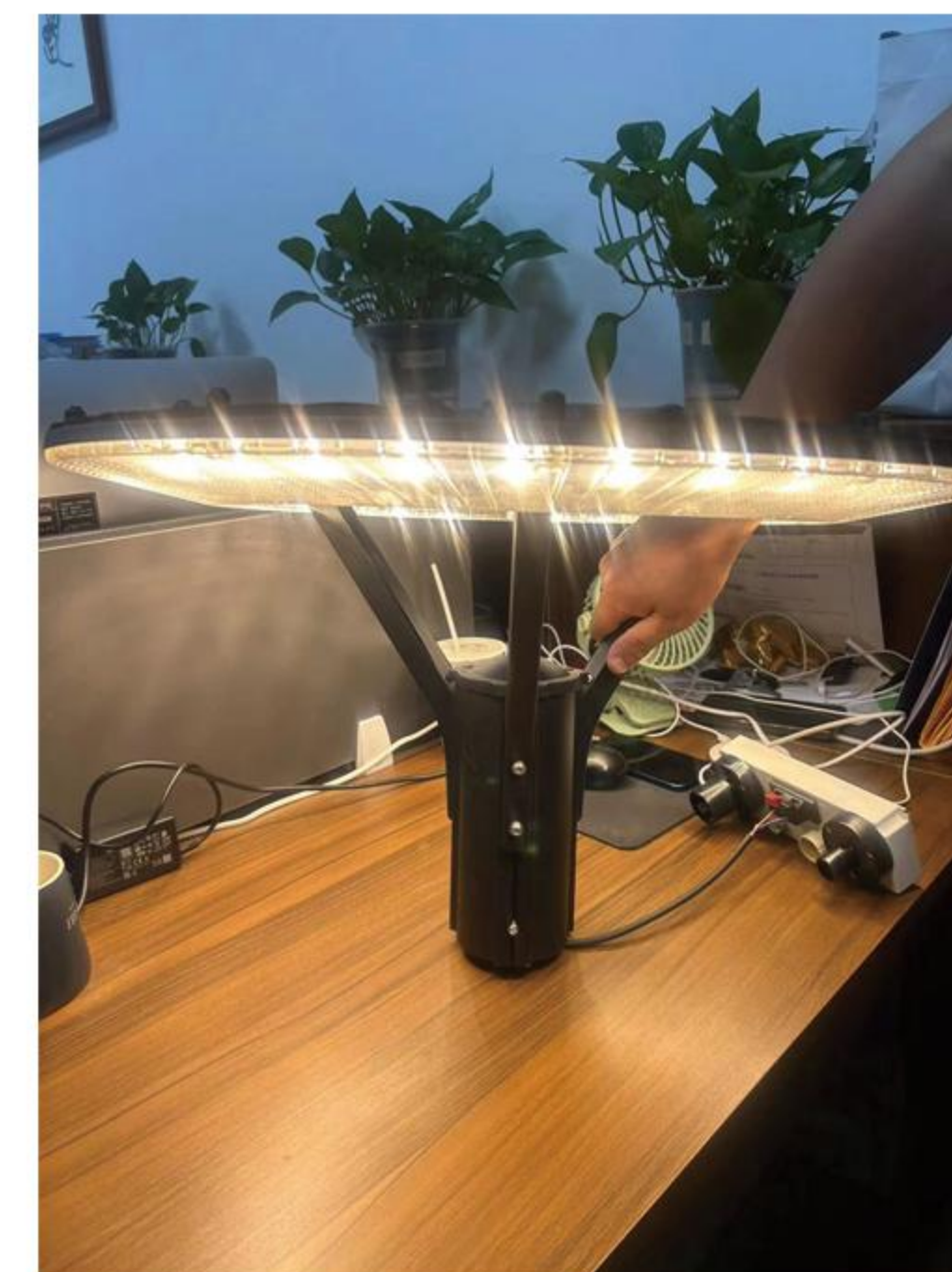


B



Specification

Wattage	40W -80W	20W -60W
Average Lumen	around 100 LM/W	around 100 LM/W
Chip Brand	LUMILEDS/CREE/SAN'AN	LUMILEDS/CREE/SAN'AN
Driver Brand	MW /MOSO/INVENTRONICS	MW /MOSO/INVENTRONICS
Power Factor	>0.95	>0.95
Voltage Range	90V-305V	90V-305V
Surge Protection	10KV/20KV	10KV/20KV
Insulation Class	Class I / II	Class I / II
Kelvin Range	3000-6500K	3000-6500K
CRI	>70	>70
Working Temperature	(-35°C to 50°C)	(-35°C to 50°C)
IP Class	IP66	IP66
IK Class	≥IK08	≥IK08
Life Span (Hours)	>50000 hours	>50000 hours
Material	Diecasting aluminium	Diecasting aluminium
Packing Size	618 x 618 x 411mm	600 x 600 x 284mm
Installation Spigot	76/60mm	76/60mm





鼎凯电气科技扬州有限公司

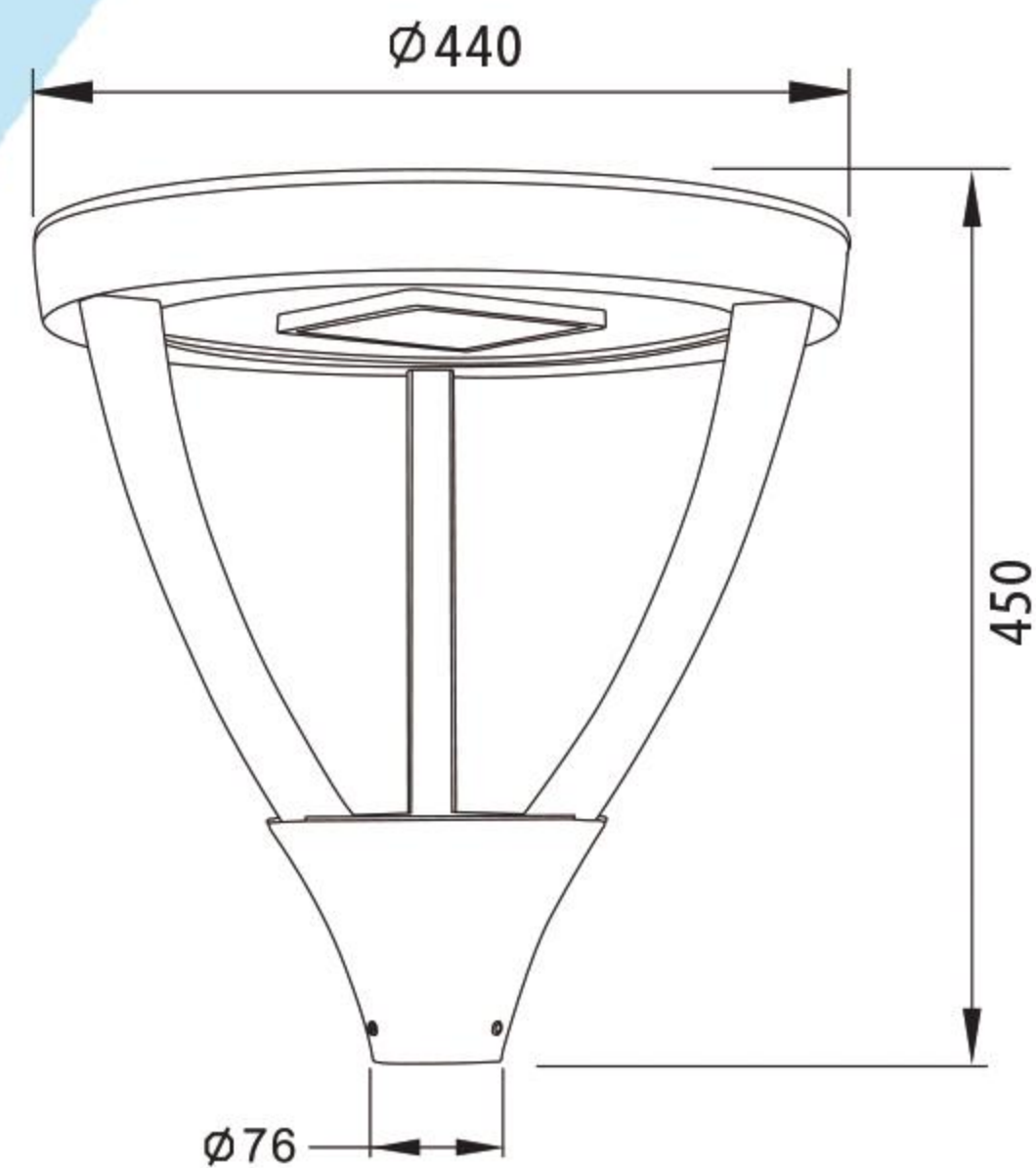
DDK TECH ELECFACILITY CO., LTD



DDK-GL106



CRI >75	PF >0.95	AC85~265V
+50°C -35°C	10%~ 90%	50,000h



Specification

Wattage	30W -60W
Average Lumen	around 120 LM/W
Chip Brand	LUMILEDS/CREE/SAN'AN
Driver Brand	MW /MOSO/INVENTRONICS
Power Factor	>0.95
Voltage Range	90V-305V
Surge Protection	10KV/20KV
Insulation Class	Class I / II
Kelvin Range	3000-6500K
CRI	>70
Working Temperature	(-35°C to 50°C)
IP Class	IP66
IK Class	≥IK08
Life Span (Hours)	>50000 hours
Material	Diecasting aluminium
Packing Size	600 x 600 x 284mm
Installation Spigot	76/60mm

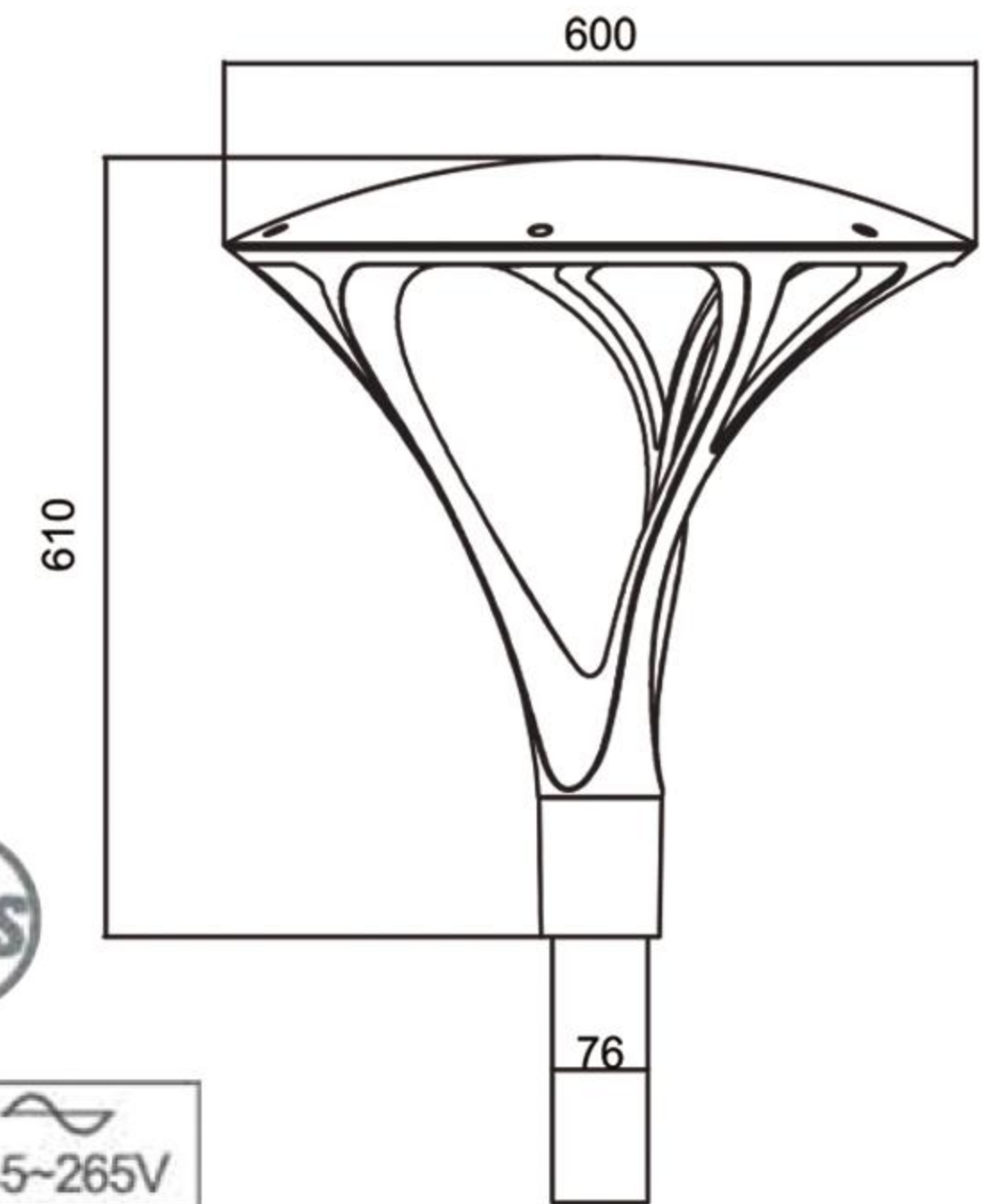


Landscape Garden Lights

DDK-GL107



CRI >75	PF >0.95	AC85~265V
+50°C -35°C	10%~ 90%	50,000h



Specification

Power:	30-100w
Supply voltage range:	90-305VAC
Temperature range:	-25°C / +55°C
Light guiding system:	PC lenses
Light source:	Luxeon 3030-2D Line
Luminous intensity class:	Symmetrical: G2
Glare index class:	D6
Colour temperature:	2700-6500K
Colour Rendering Index:	CRI>80
Luminous efficiency:	115lm/w
LED Lifetime:	MIN 60000 hours at 25°C
Power Efficiency:	≥ 88%
Lightning protection:	10KV
Service life:	MIN 50000 hours
Housing material:	Die-cast aluminium
Sealing material:	Silicone rubber
Cover material:	Tempered glass
Wind resistance:	0.23 m²
Protection class:	IP 66
Safety class:	Class II
Shock protection:	IK 09
Corrosion resistance:	C5
Dimension (L x W x H):	600x600x610mm

