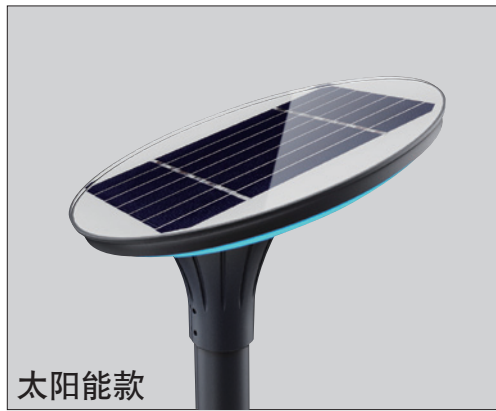


鼎凯

— 庭院

DDK TECH



太阳能款

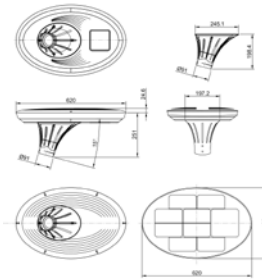
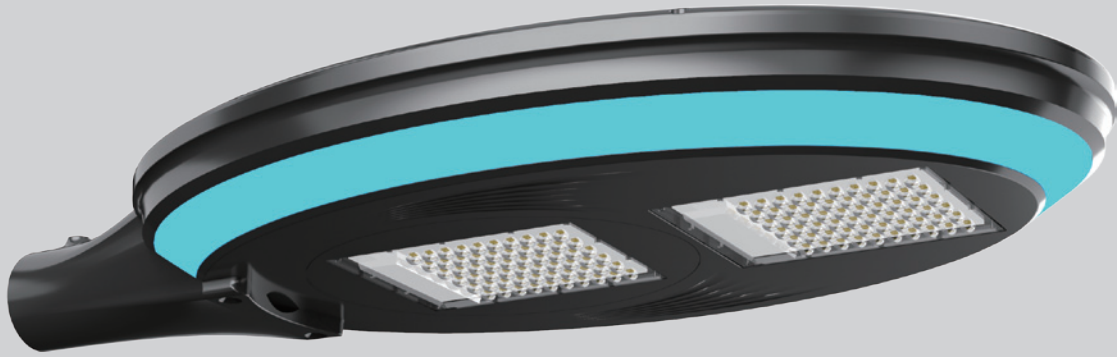


市电款



路灯 — 鼎凯

DDK TECH



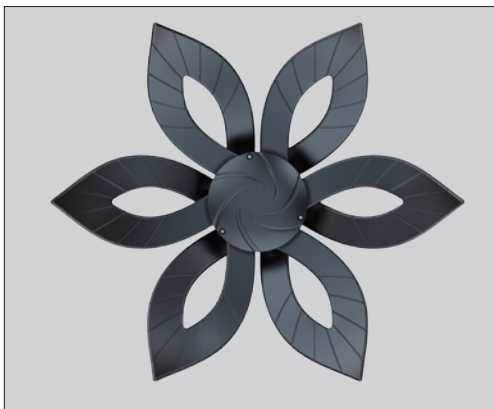
庭院灯系列灯饰是园林景区、文化休闲娱乐广场、步行街、商业街、住宅小区、行车道两侧等场所普遍使用的装饰及照明光源配置形式，是装饰性照明灯饰产品。

灯体材质多样，光源运用灵活多变，结构形态千姿百态，是美化、亮化、绿化有机结合，光与影、灯与艺术的完美结合。

Lawn lamp lighting is a scenic garden, cultural and recreational square, pedestrian street, commercial street, residential lane on both sides and other places in the widespread use of decoration and illumination light source configuration is decorative lighting products.

Light body material diversity, the role of light source flexible, varied structure form is landscaping, lighting, green organic combination, light and shadow, light and art of the perfect crystallization.

金枝玉叶



庭院灯系列灯饰是园林景区、文化休闲娱乐广场、步行街、商业街、住宅小区、行车道两侧等场所普遍使用的装饰及照明光源配置形式，是装饰性照明灯饰产品。

灯体材质多样，光源运用灵活多变，结构形态千姿百态，是美化、亮化、绿化有机结合，光与影、灯与艺术的完美结晶。

Lawn lamp lighting is a scenic garden, cultural and recreational square, pedestrian street, commercial street, residential lane on both sides and other places in the widespread use of decoration and illumination light source configuration is decorative lighting products.

Light body material diversity, the role of light source flexible, varied structure form is landscaping, lighting, green organic combination, light and shadow, light and art of the perfect crystallization.



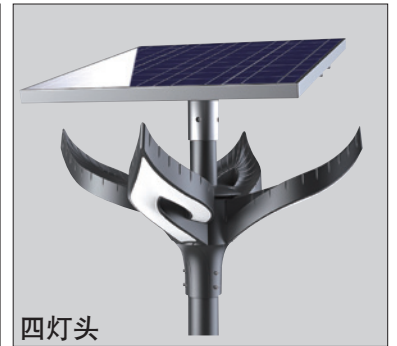
单灯头



双灯头



三灯头



四灯头



DDK-0501

DDK-0502

DDK-0503

DDK-0504

DDK-0505

中国之光



中国之光



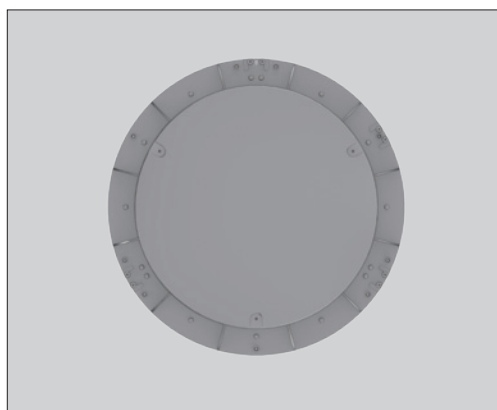
庭院灯系列灯饰是园林景区、文化休闲娱乐广场、步行街、商业街、住宅小区、行车道两侧等场所普遍使用的装饰及照明光源配置形式，是装饰性照明灯饰产品。

灯体材质多样，光源运用灵活多变，结构形态千姿百态，是美化、亮化、绿化有机结合，光与影、灯与艺术的完美结晶。

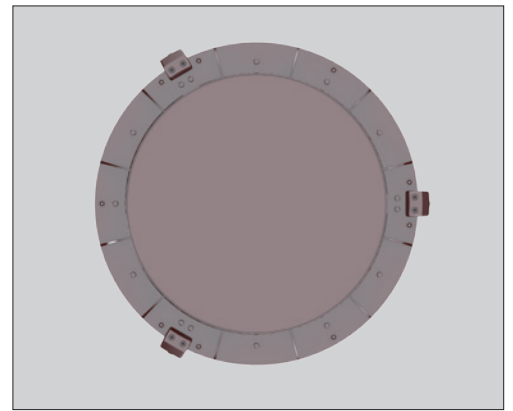
Lawn lamp lighting is a scenic garden, cultural and recreational square, pedestrian street, commercial street, residential lane on both sides and other places in the widespread use of decoration and illumination light source configuration is decorative lighting products.

Light body material diversity, the role of light source flexible, varied structure form is landscaping, lighting, green organic combination, light and shadow, light and art of the perfect crystallization.

亚洲之光



晨源之星





DDK-1001
尺寸: $\Phi 420 \times H120$



DDK-1002
尺寸: $\Phi 460 \times H440$



DDK-1003
尺寸: $\Phi 520 \times H420$



DDK-1004
尺寸: $\Phi 500 \times H400$



DDK-1005
尺寸: $\Phi 500 \times H400$



DDK-1006
尺寸: $\Phi 500 \times H460$



DDK-1007
尺寸: $\Phi 500 \times H580$



DDK-1008
尺寸: $\Phi 500 \times H530$



DDK-1009
尺寸: $\Phi 500 \times H450$



DDK-1101
尺寸: $\Phi 500 \times H550$



DDK-1102
尺寸: $\Phi 560 \times H430$



DDK-1103
尺寸: $\Phi 450 \times H500$



DDK-1104
尺寸: $\Phi 460 \times H460$



DDK-1105
尺寸: $\Phi 520 \times H420$



DDK-1106
尺寸: $\Phi 500 \times H550$



DDK-1107
尺寸: $\Phi 500 \times H560$



DDK-1108
尺寸: $\Phi 500 \times H680$



DDK-1109
尺寸: $\Phi 500 \times H580$



DDK-1201
尺寸: $\Phi 530 * H515$



DDK-1202
尺寸: $\Phi 530 * H640$



DDK-1203
尺寸: $\Phi 530 * H480$



DDK-1204
尺寸: $\Phi 530 * H480$



DDK-1205
尺寸: $\Phi 530 * H490$



DDK-1206
尺寸: $\Phi 460 * H450$



DDK-1207
尺寸: $\Phi 530 * H480$



DDK-1208
尺寸: $\Phi 530 * H480$



DDK-1209
尺寸: $\Phi 530 * H440$



DDK-1301



DDK-1302



DDK-1303



DDK-1304



DDK-1305



DDK-1306



DDK-1307



DDK-1308



DDK-1309



DDK-1401

产品特点：

- * 灯体材质：优质铝合金铸造成型，经防腐处理后，采用防 UV 静电粉末喷涂；
- * 透光罩：玻璃灯罩 / PC 灯罩；
- * 紧固件：不锈钢材质，强度高，防腐能力强；
- * 适用光源：LED、金卤灯、钠灯。

Product features:

- * Lamp body material: quality aluminum alloy casting molding, after anti-corrosion treatment, mining Anti-uv electrostatic powder spraying;
- * Light transmittance: bell glass / PC lamp shade;
- * Fasteners: stainless steel, high strength, strong corrosion resistance;
- * Applicable light source: LED, metal halide lamp, sodium lamp.



DDK-1402



DDK-1501



DDK-1502

产品特点：

- * 灯体材质：优质铝合金铸造成型，经防腐处理后，采用防 UV 静电粉末喷涂；
- * 透光罩：玻璃灯罩 /PC 灯罩；
- * 紧固件：不锈钢材质，强度高，防腐能力强；
- * 适用光源：LED、金卤灯、钠灯。

Product features:

- * Lamp body material: quality aluminum alloy casting molding, after anti-corrosion treatment, mining Anti-uv electrostatic powder spraying;
- * Light transmittance: bell glass /PC lamp shade;
- * Fasteners: stainless steel, high strength, strong corrosion resistance;
- * Applicable light source: LED, metal halide lamp, sodium lamp.



DDK-1601

产品特点：

- * 灯体材质：优质铝合金铸造成型，经防腐处理后，采用防 UV 静电粉末喷涂；
- * 透光罩：玻璃灯罩 / PC 灯罩；
- * 紧固件：不锈钢材质，强度高，防腐能力强；
- * 适用光源：LED、金卤灯、钠灯。

Product features:

- * Lamp body material: quality aluminum alloy casting molding, after anti-corrosion treatment, mining Anti-uv electrostatic powder spraying;
- * Light transmittance: bell glass / PC lamp shade;
- * Fasteners: stainless steel, high strength, strong corrosion resistance;
- * Applicable light source: LED, metal halide lamp, sodium lamp.



DDK-1602



DDK-1701



DDK-1702

产品特点:

- * 灯体材质: 优质铝合金铸造成型, 经防腐处理后, 采用防 UV 静电粉末喷涂;
- * 透光罩: 玻璃灯罩 /PC 灯罩;
- * 紧固件: 不锈钢材质, 强度高, 防腐蚀能力强;
- * 适用光源: LED、金卤灯、钠灯。

Product features:

- * Lamp body material: quality aluminum alloy casting molding, after anti-corrosion treatment, mining Anti-uv electrostatic powder spraying;
- * Light transmittance: bell glass /PC lamp shade;
- * Fasteners: stainless steel, high strength, strong corrosion resistance;
- * Applicable light source: LED、metal halide lamp、sodium lamp.



DDK-1801



18
DDK-1802



DDK-1803



DDK-1901

DDK-1902

选配杆型



1903

1904

1905

1906

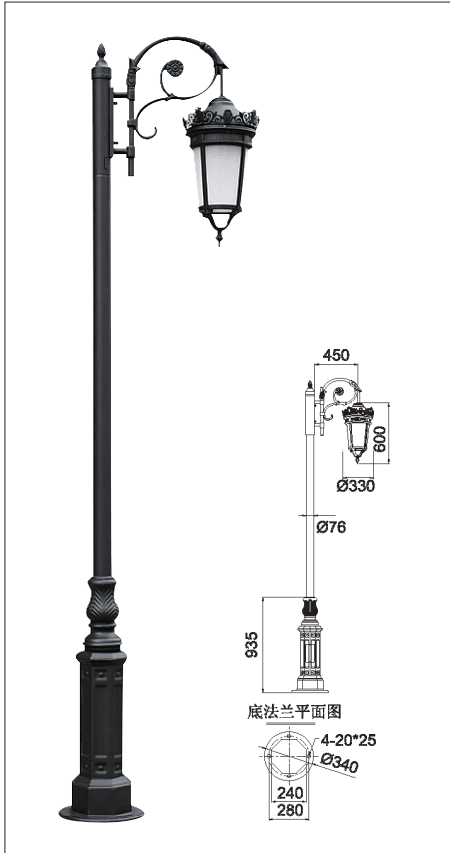
1907

1908

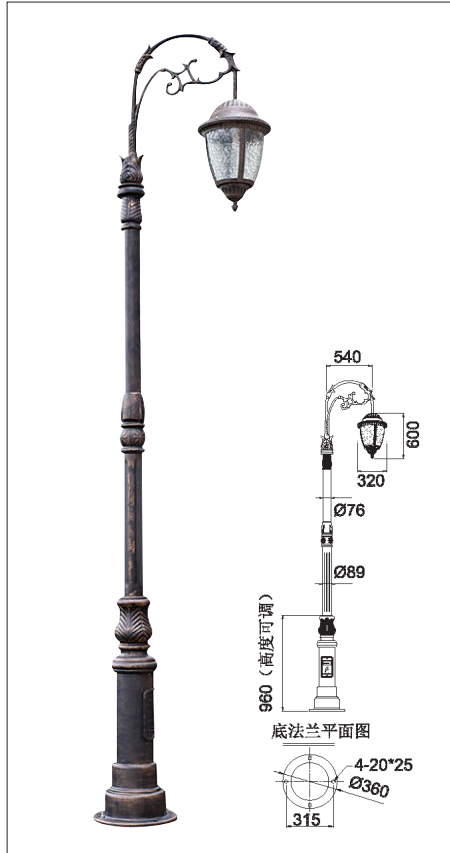
1909

1910

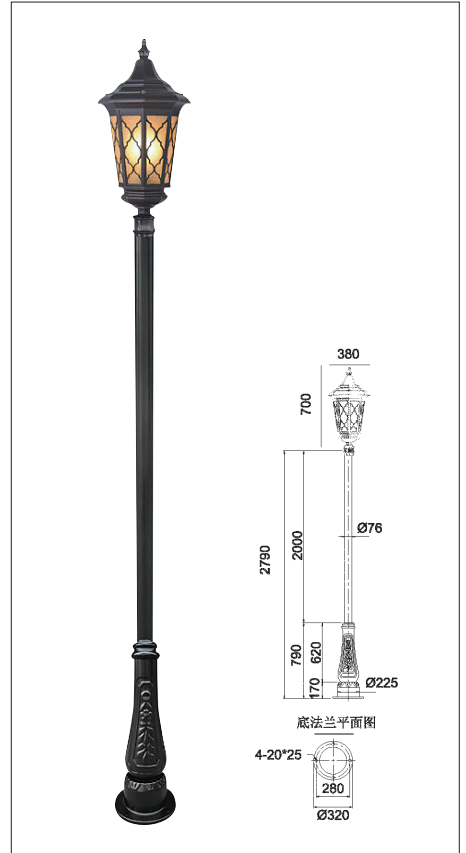
1911



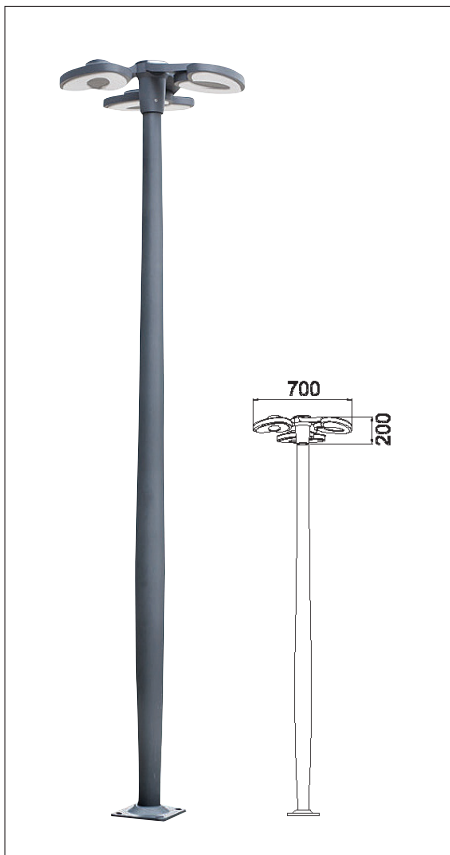
DDK-2001



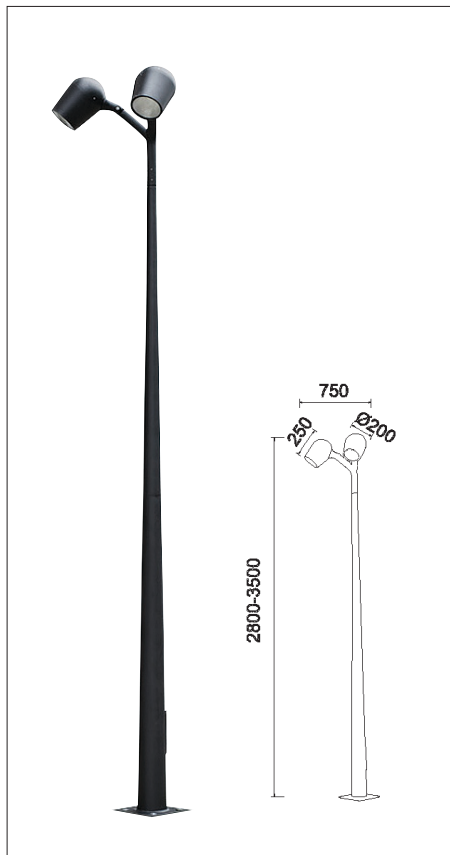
DDK-2002



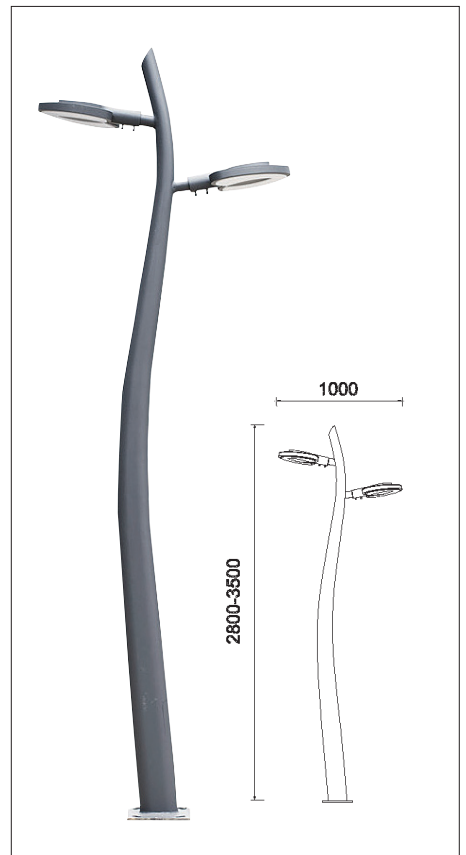
DDK-2003



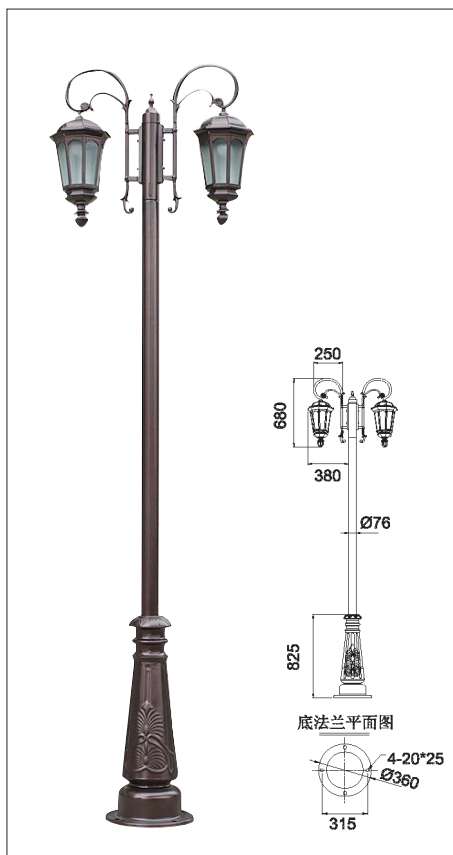
DDK-2004



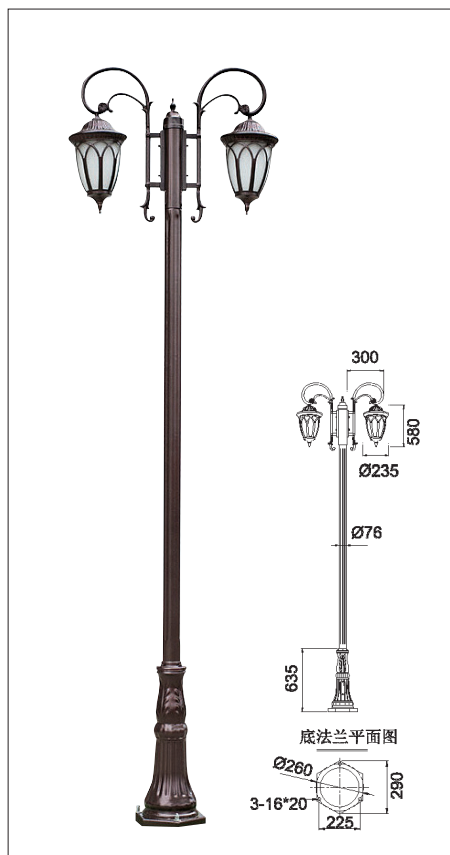
DDK-2005



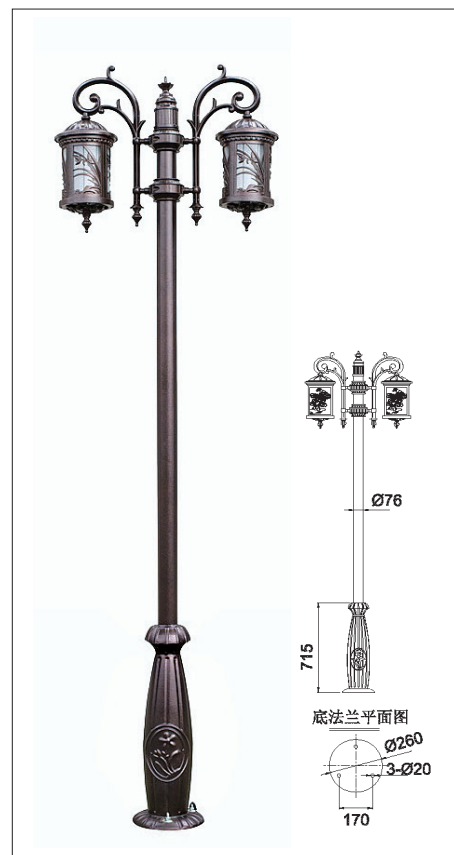
DDK-2006



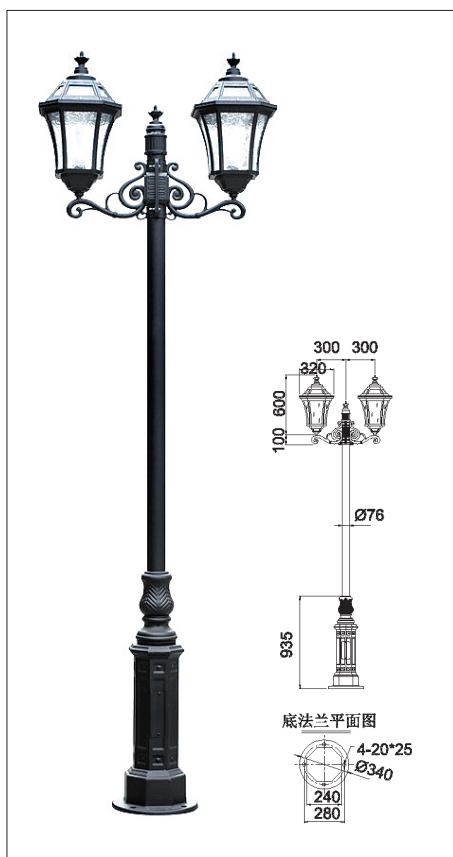
DDK-2101



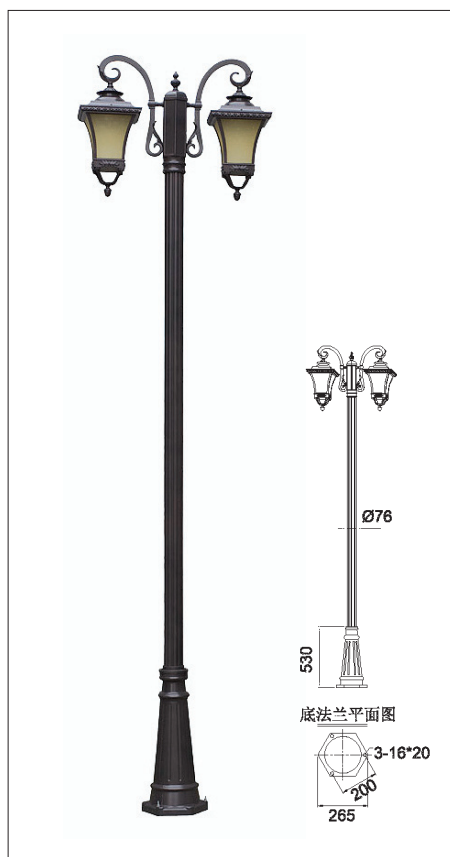
DDK-2102



DDK-2103



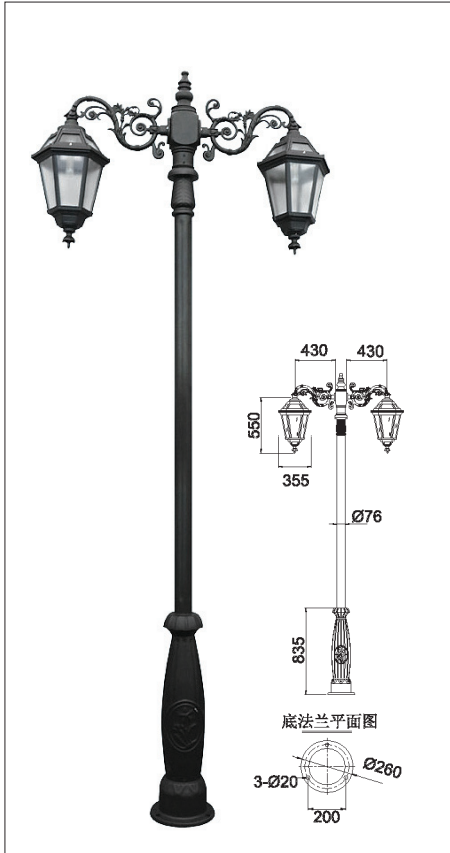
DDK-2104



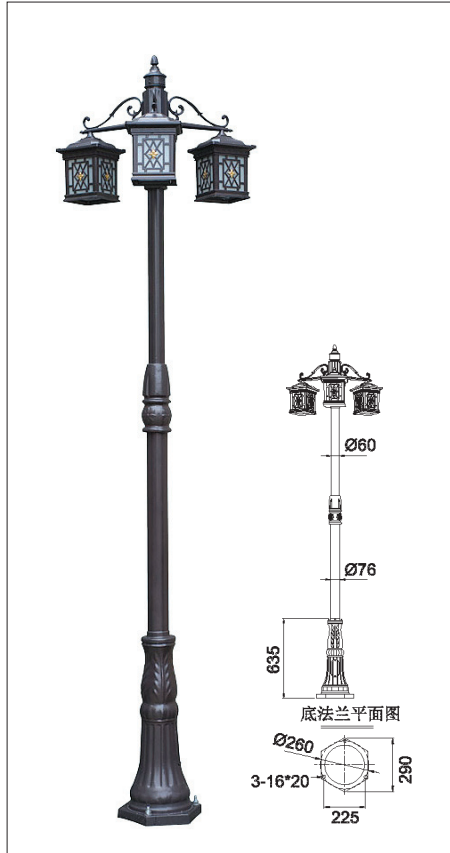
DDK-2105



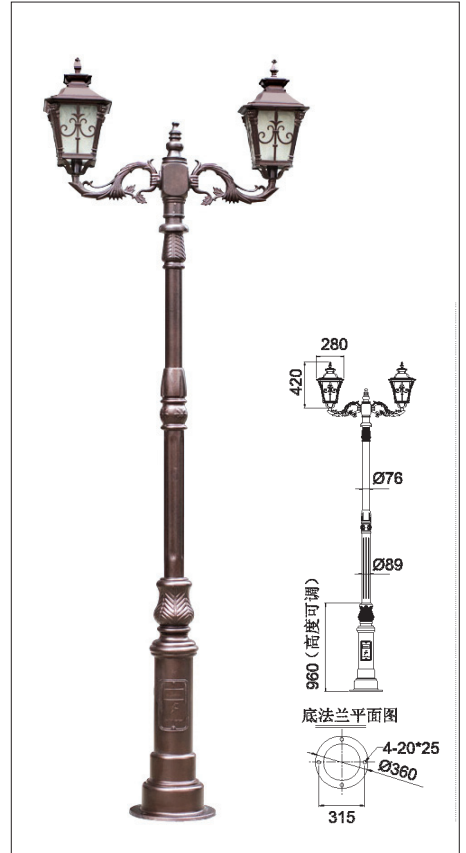
DDK-2106



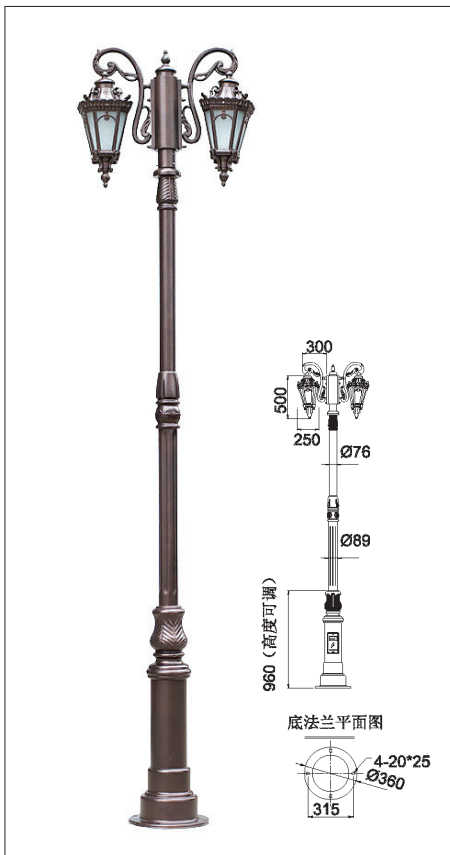
DDK-2201



DDK-2202



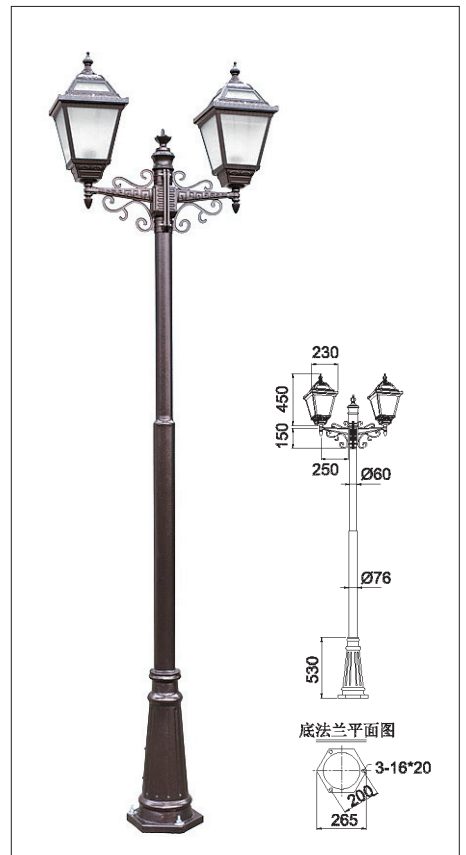
DDK-2203



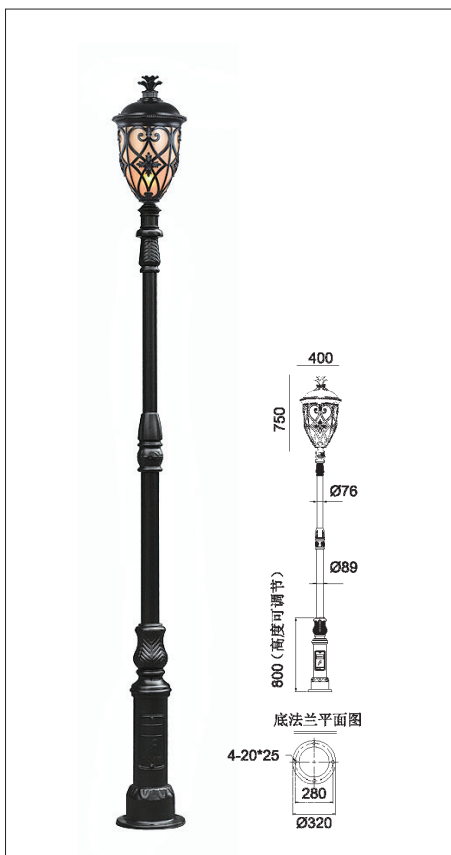
DDK-2204



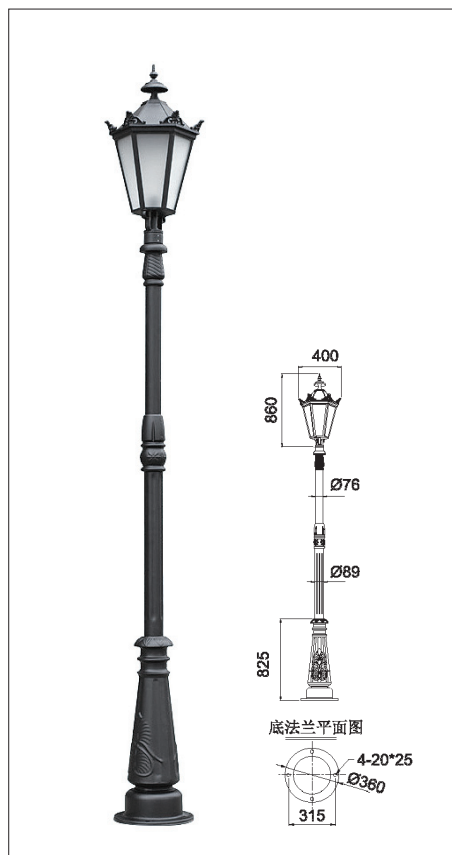
DDK-2205



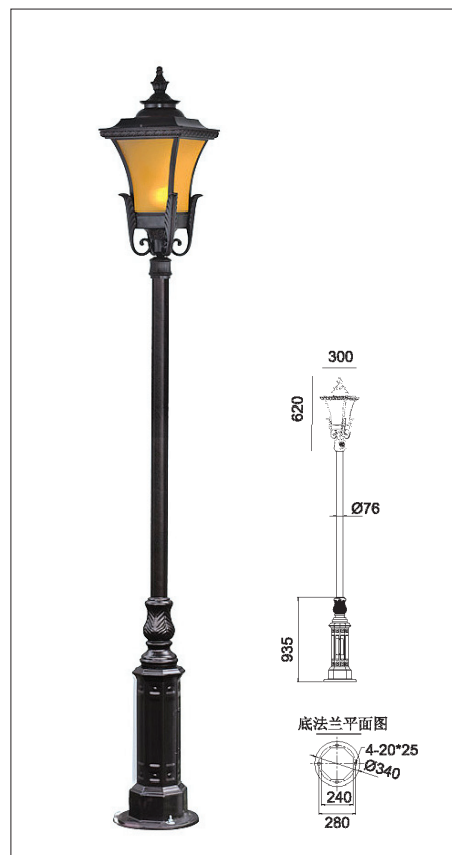
DDK-2206



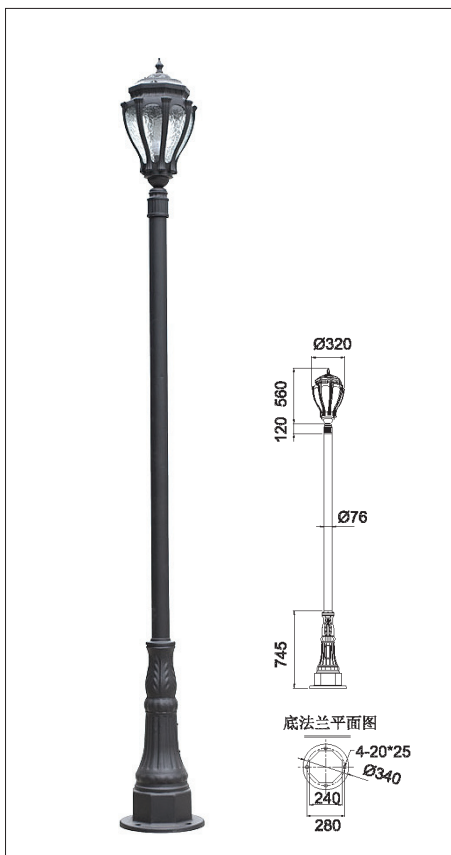
DDK-2301



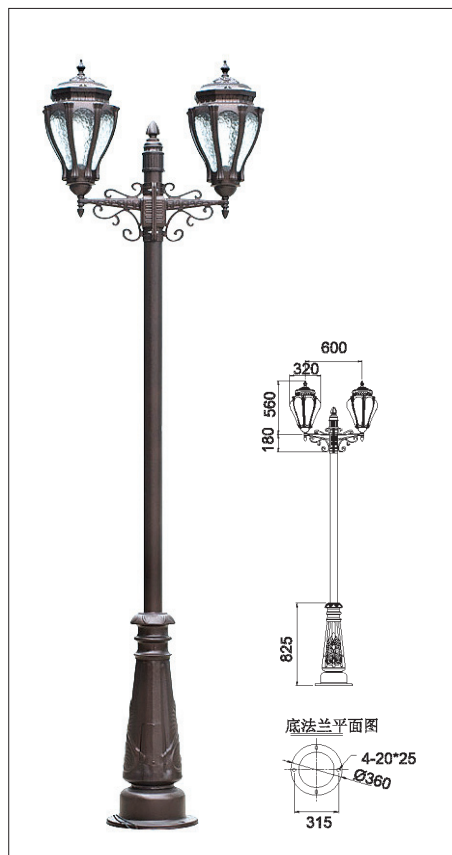
DDK-2302



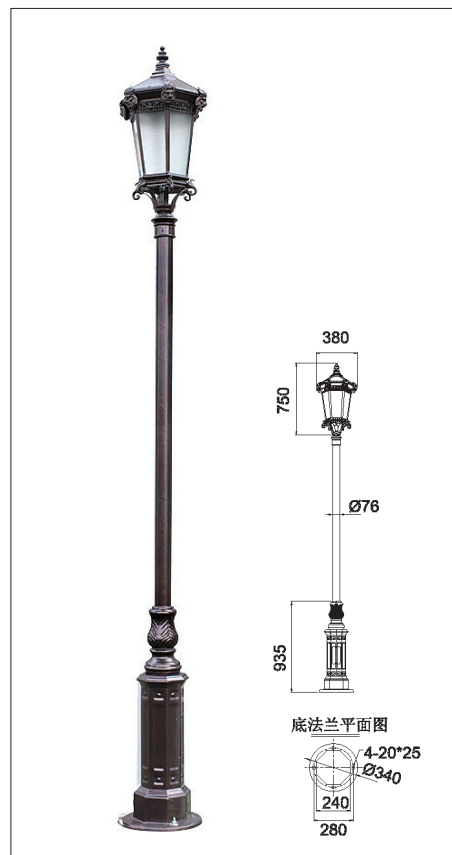
DDK-2303



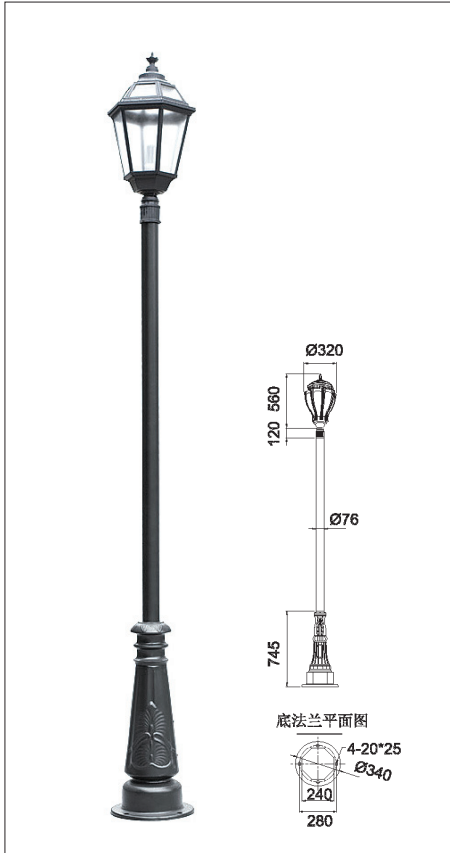
DDK-2304



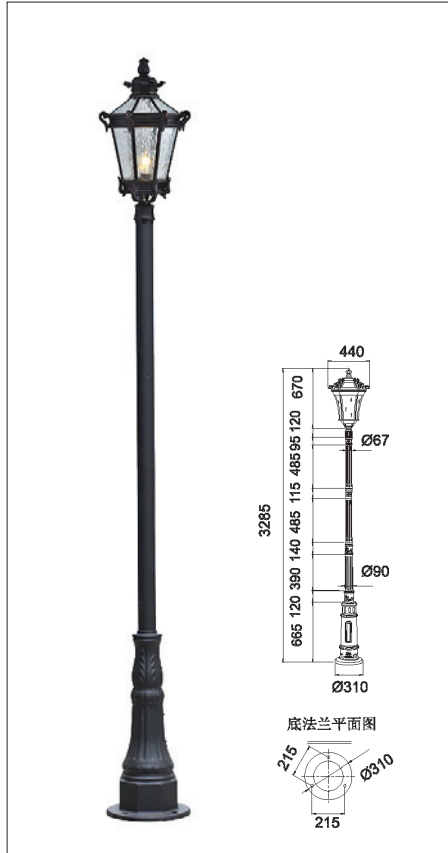
DDK-2305



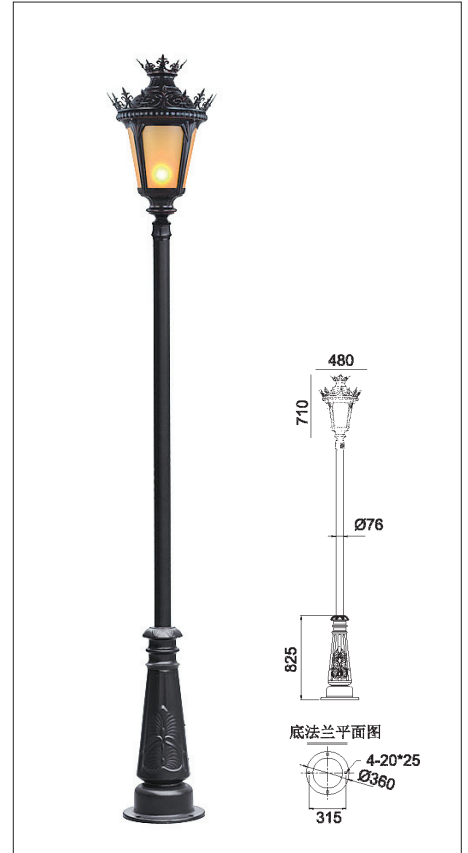
DDK-2306



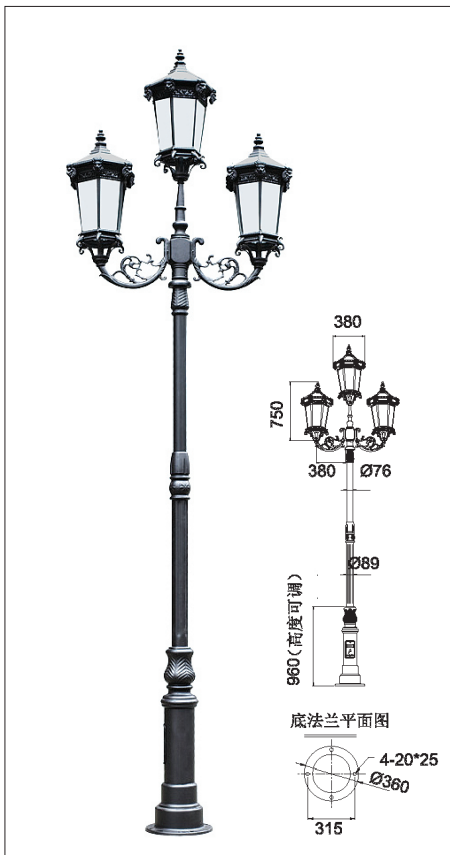
DDK-2401



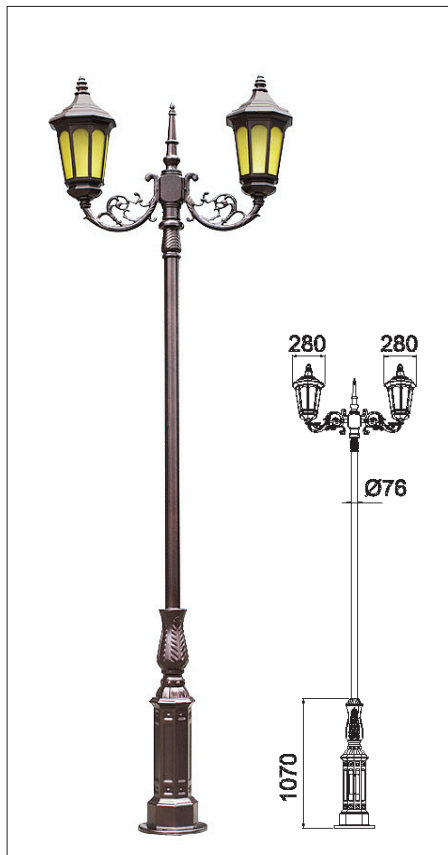
DDK-2402



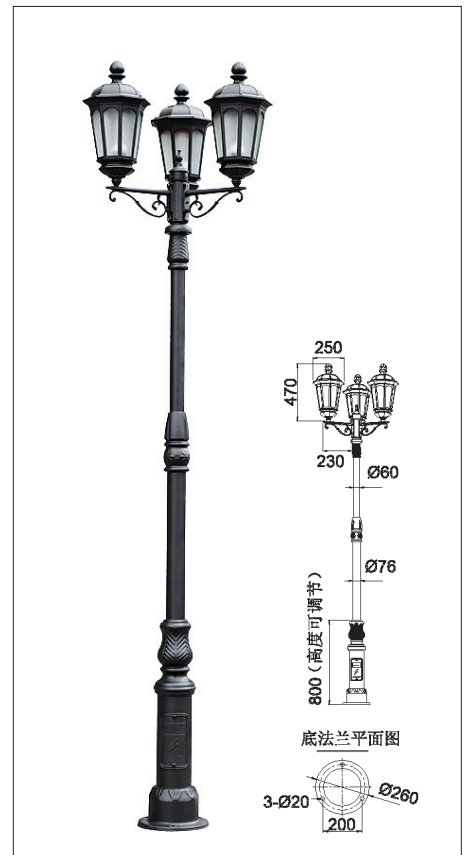
DDK-2403



DDK-2404



DDK-2405



DDK-2406



DDK-2501



DDK-2502



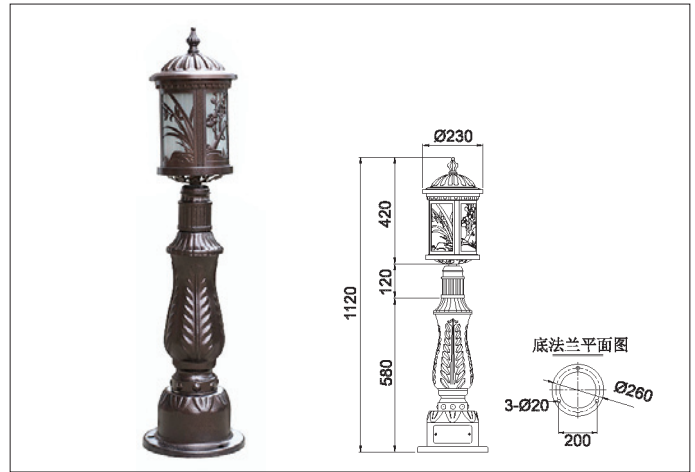
DDK-2503



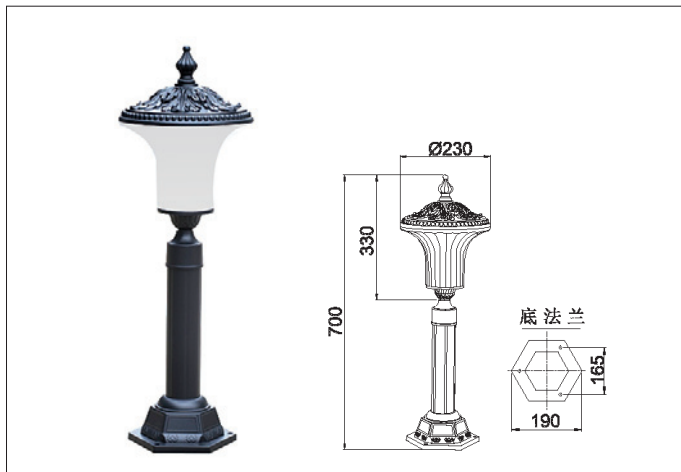
DDK-2504



DDK-2601



DDK-2602



DDK-2603



DDK-2604

产品特点:

- * 灯体材质: 优质铝合金铸造成型, 经防腐处理后, 采用防 UV 静电粉末喷涂;
- * 透光罩: 玻璃灯罩 / PC 灯罩;
- * 紧固件: 不锈钢材质, 强度高, 防腐蚀能力强;
- * 适用光源: LED、金卤灯、钠灯。

Product features:

- * Lamp body material: quality aluminum alloy casting molding, after anti-corrosion treatment, mining Anti-uv electrostatic powder spraying;
- * Light transmittance: bell glass / PC lamp shade;
- * Fasteners: stainless steel, high strength, strong corrosion resistance;
- * Applicable light source: LED, metal halide lamp, sodium lamp.



DDK-2605



DDK-2701



DDK-2702



DDK-2703



DDK-2704