

CZ1875 / CZ1876


D

描述 Descriptions

全塑防爆（应急）LED条形灯壳体由玻璃纤维增强聚酯压模成型，透明罩采用抗紫外线 PC 注塑成型，即适用于爆炸性环境，也适用于强腐蚀性的石化、化学场所和海洋环境等作为照明用。

全塑防爆（应急）LED条形灯采用模块化设计，带有机械联锁装置，可选配防爆行程开关、防爆熔断器。选配行程开关时，实现开盖断电功能，内装 LED 光源模块、电源模块Ex元件（U证），安装、维修和更换方便快捷。

全塑防爆应急 LED 条形灯，在全塑防爆LED条形灯基础上加装独立应急电池箱，实现应急照明功能，应急电池箱内置机械联锁开关，实现开盖断电功能。

全塑防爆LED条形灯通过调光控制系统对灯具的照明需求进行改变，达到绿色节能照明。

全塑防爆（应急）LED条形灯安装型式分为标准型和杆式安装型。

- 全塑防爆（应急）LED条形灯标准型选装安装附件实现吸顶式、吊链式、吊杆式、壁式和夹管式安装。
- 全塑防爆（应急）LED条形灯杆式安装型选装安装附件实现平台灯、墙壁灯。
- 应急照明设有故障信号指示、充电信号指示、放电信号指示。
- LED光源模块有两种光学设计，发光角度分别为55°和110°。
- LED电源模块有过温保护、过压保护、短路保护功能。
- 永不变形的结构设计，防护等级高达IP66。
- IECEx 国际认证，ATEX 欧洲认证。
- 可定制高光效光源，光效≥135lm/W（符合中国一级能效标准）
- LED条形灯具具备0-10V可调光。

The full plastic explosion-proof (emergency) LED linear light fittings shell is molded by glass fiber reinforced polyester, and the transparent cover is molded by UV resistant PC injection. It is not only suitable for explosive environment, but also suitable for highly corrosive petrochemical, chemical places and marine environment as lighting.

The full plastic explosion-proof (emergency) LED linear light fittings adopts modular design, mechanical interlocking device, and optional isolation switch and fuse module. The isolation switch realize the function of cover opening and power off. The inner is equipped with LED light source module, power module and other ex components (U certificate), and they can be installed, maintained and replaced quite easily.

The full plastic explosion-proof emergency LED linear light fittings is equipped with a separate emergency battery box to realize the emergency lighting function. The emergency battery box has a built-in mechanical interlock switch to realize the function of opening the cover and cutting off power.

The full plastic explosion-proof LED linear light fittings can change the lighting demand through the dimming control system, so as to achieve green energy-saving lighting.

The installation type of all plastic explosion-proof (emergency) LED linear light fittings are divided into standard type and pole mounting type.

- The standard type optional installation accessory can realize ceiling type, chain type, pendant type installation.
- The pole mounting type optional installation accessory can realize platform type and wall type installation.
- Emergency ones have indicators of fault, charging and discharging.
- LED light source module available two optical design, which beam angle is 55° and 110°
- LED power module has the protection of high temperature, over voltage and short circuit.
- The structural design is never distortion and its protection degree is up to IP66.
- IECEx and ATEX certified.
- Can be customized high lighting effect light source, which over 135lm/W (comply to China level 1 energy efficiency standard)
- LED linear lighting with dimming range 0-10V.

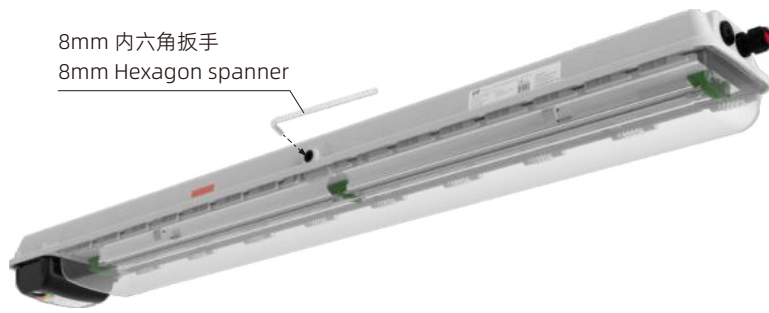
2 区

21 区和 22 区

Zone 2

Zone 21 and zone 22

示意图 Diagram

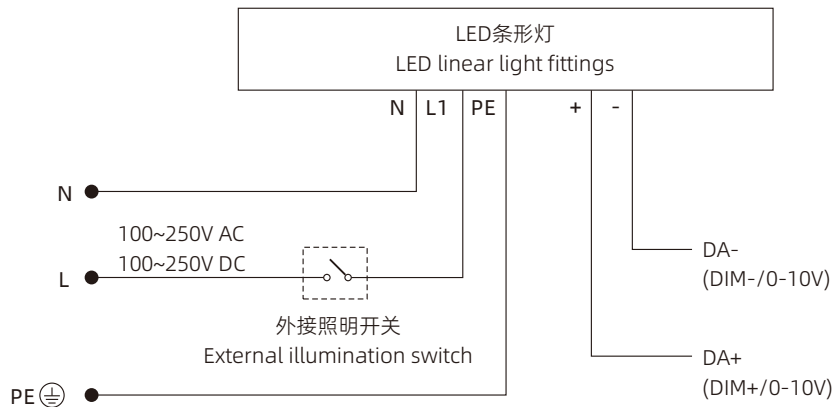


灯具设有机械联锁压紧装置和自动断电功能。用内六角打开时，自动切断正常照明和应急电源；闭合时，锁紧密封和自动送电。

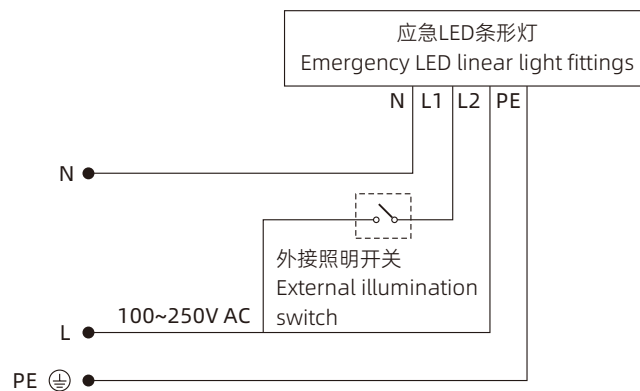
The light fitting is equipped with mechanical interlocking pressing device and automatic power off function. Either the normal lighting or emergency power supply are automatically cut off when it is opened with a hexagon spanner. The power will be automatically transmitted when the light fitting is locked and sealed well.

D

灯具安装线路图 Wiring diagram for light fittings



应急灯具安装线路图 Wiring diagram for emergency light fittings



主要数据 Main technical data

认证 Certification	防爆标志 Ex mark	符合标准 Meet the standard
China	Ex ec II C T5/T4 Gc Ex tb IIIC T80°C Db Ex db ec II C T5/T4 Gc Ex tb IIIC T80°C Db 配置行程开关 With limit switch Ex db ec mb II C T5/T4 Gc Ex tb IIIC T80°C Db 配置行程开关和熔断器 With limit switch and fuse	GB/T3836
IECEX	Ex ec II C T5/T4 Gc Ex tb IIIC T80°C Db Ex db ec II C T5/T4 Gc Ex tb IIIC T80°C Db 配置行程开关 With limit switch Ex db ec mb II C T5/T4 Gc Ex tb IIIC T80°C Db 配置行程开关和熔断器 With limit switch and fuse	IEC60079
ATEX	ⓂII 3G2D Ex ec II C T5/T4 Gc Ex tb IIIC T80°C Db ⓂII 3G2D Ex db ec II C T5/T4 Gc Ex tb IIIC T80°C Db 配置行程开关 With limit switch ⓂII 3G2D Ex db ec mb II C T5/T4 Gc Ex tb IIIC T80°C Db 配置行程开关和熔断器 With limit switch and fuse	EN60079

适用范围：用于 2 区，21 区和 22 区	Intended use: Can be used in zone 2, zone 21 and zone 22
使用环境温度：-40°C≤Ta≤+40°C (T5) -40°C≤Ta≤+55°C (T4)	Ambient temperature use: -40°C≤Ta≤+40°C (T5) -40°C≤Ta≤+55°C (T4)
防护等级：IP66 (IP64 配呼吸阀 CZ0527)	Degree of protection: IP66 (IP64 with breather CZ0527)
额定电压：AC100 ~ 250V 50/60Hz、DC 100~250V	Rated voltage: AC100 ~ 250V 50/60Hz, DC 100~250V
光源：LED	Light source: LED
色温：标配5000K, (可选3000K、4000K、6500K)	Colour temperature: Standard 5000K, (Optional 3000K, 4000K, 6500K)
功率因数：λ>0.9	Power factor: λ>0.9
适用安装高度：宽光型：≤3m；窄光型：3~6m	Applicable installation height: Wide beam: ≤3M, Narrow beam: 3~6M
接线端子：L1、L2、L、N、PE，每个端子 2×1.5-10mm ²	Terminals: L1, L2, L, N, PE, each terminal 2×1.5-10mm ²
电气配置：可选防爆行程开关、防爆熔断器	Electrical configuration: Optional Explosion-proof limit switch Explosion-proof fuse
电缆入口：标配M25 (可选M20)	Cable entry: Standard M25 (Optional M20)
标准型：	Standard type:
塑制 1-M25×1.5，电缆外径：Φ9-17mm	Moulded plastic 1-M25×1.5 cable gland, outside diameter of cable: Φ9-17mm
塑制 2-M25×1.5 空塞堵头	Moulded plastic 2-M25×1.5 stopping plugs
杆式安装型：	Pole mounting:
塑制 1-M25×1.5，电缆外径：Φ9-17mm	Moulded plastic 1-M25×1.5 cable gland, outside diameter of cable: Φ9-17mm

订购规格 Order specifications

图样 Illustration	配光 Light distribution	光源功率 Power of light source	光通量 Luminous flux	重量(kg) Weight	订购号 Order No.
	宽光型 Wide beam	1×LED 26W	3117 lm	3.8	CZ1875/211S-LED0026WWB5B-17-□-B2+□
		2×LED 26W	6301 lm	6.4	CZ1876/211S-LED2026WWB5B-17-□-B2+□
	窄光型 Narrow beam	1×LED 26W	2984 lm	3.8	CZ1875/211S-LED0026WNB5B-17-□-B2+□
		2×LED 26W	5962lm	6.4	CZ1876/211S-LED2026WNB5B-17-□-B2+□
	宽光型 Wide beam	1×LED 26W	3117 lm	5.5	CZ1875/211P-LED0026WWB5B-17-□-A2+□
		2×LED 26W	6301 lm	8.0	CZ1876/211P-LED2026WWB5B-17-□-A2+□
	窄光型 Narrow beam	1×LED 26W	2984 lm	5.5	CZ1875/211P-LED0026WNB5B-17-□-A2+□
		2×LED 26W	5962 lm	8.0	CZ1876/211P-LED2026WNB5B-17-□-A2+□

S-标准型 Standard type 安装型式 Mounting Type

P-杆式安装型 Pole mounting type

3-3000K 4-4000K 色温 Colour temperature

5-5000K 6-6500K

K: 防爆行程开关模块 不配不注 Optional

Explosion-proof limit switch module

KF: 防爆行程开关模块、防爆熔断器模块

Explosion-proof limit switch module, Explosion-proof fuse module

电缆引入装置编码 Code of cable gland

安装附件订购号 (不配不注) 见 D/11 页

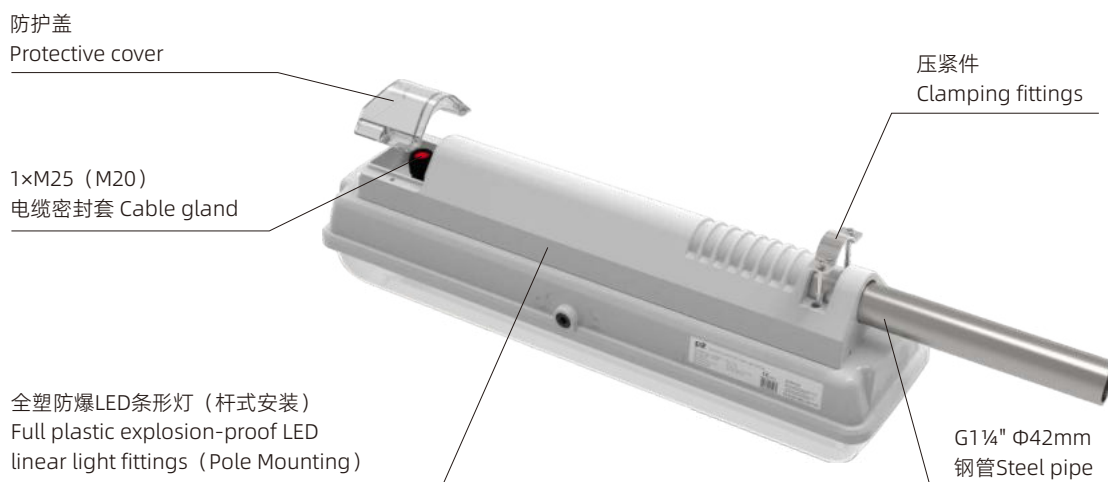
Order No.of mounting accessories (Optional) , see page D/11

标准型灯具电缆引入装置编码 Code of cable entry for standard type

编码 Code	规格 Specifications	电缆直径 Cable diameter
B1	塑制 1 个 M20×1.5 电缆密封套，塑制 2 个 M20×1.5 空塞堵头 One moulded plastic M20×1.5 cable gland, two moulded plastic M20×1.5 stopping plugs	Φ6-13mm
C1	铜制 1 个 CZ0221/M20×1.5 金属电缆密封套，塑制 2 个 M20×1.5 空塞堵头 One brass CZ0221/M20×1.5 metal cable gland, two moulded plastic M20×1.5 stopping plugs	Φ6-13mm
D1	塑制 2 个 M20×1.5 电缆密封套，塑制 1 个 M20×1.5 空塞堵头 Two moulded plastic M20×1.5 cable glands, one moulded plastic M20×1.5 stopping plug	Φ6-13mm
E1	铜制 2 个 CZ0221/M20×1.5 金属电缆密封套，塑制 1 个 M20×1.5 空塞堵头 Two brass CZ0221/M20×1.5 metal cable glands, one moulded plastic M20×1.5 stopping plug	Φ6-13mm
H1	铜制 1 个 CZ0226/M20×1.5(G01) 增安型金属电缆密封套，塑制 2 个 M20×1.5 空塞堵头 One brass CZ0226/M20×1.5(G01) increased safety metal cable gland, two moulded plastic M20×1.5 stopping plugs	Φ8-13.5mm
I1	铜制 2 个 CZ0226/M20×1.5(G01) 增安型金属电缆密封套，塑制 1 个 M20×1.5 空塞堵头 Two brass CZ0226/M20×1.5(G01) increased safety metal cable glands, one moulded plastic M20×1.5 stopping plug	Φ8-13.5mm
B2	塑制 1 个 M25×1.5 电缆密封套，塑制 2 个 M25×1.5 空塞堵头 One moulded plastic M25×1.5 cable gland, two moulded plastic M25×1.5 stopping plugs	Φ9-17mm
C2	铜制 1 个 CZ0221/M25×1.5 金属电缆密封套，塑制 2 个 M25×1.5 空塞堵头 One brass CZ0221/M25×1.5 metal cable gland, two moulded plastic M25×1.5 stopping plugs	Φ9-17mm
D2	塑制 2 个 M25×1.5 电缆密封套，塑制 1 个 M25×1.5 空塞堵头 Two moulded plastic M25×1.5 cable glands, one moulded plastic M25×1.5 stopping plug	Φ9-17mm
E2	铜制 2 个 CZ0221/M25×1.5 金属电缆密封套，塑制 1 个 M25×1.5 空塞堵头 Two brass CZ0221/M25×1.5 metal cable glands, one moulded plastic M25×1.5 stopping plug	Φ9-17mm
H2	铜制 1 个 CZ0226/M25×1.5(G02) 增安型金属电缆密封套，塑制 2 个 M25×1.5 空塞堵头 One brass CZ0226/M25×1.5(G02) increased safety metal cable gland, two moulded plastic M25×1.5 stopping plugs	Φ11.5-16mm
I2	铜制 2 个 CZ0226/M25×1.5(G02) 增安型金属电缆密封套，塑制 1 个 M25×1.5 空塞堵头 Two brass CZ0226/M25×1.5(G02) increased safety metal cable glands, one moulded plastic M25×1.5 stopping plug	Φ11.5-16mm

D
杆式安装型灯具电缆引入装置编码 Code of cable entry for pole mounting type

编码 Code	规格 Specifications	电缆直径 Cable diameter
A1	塑制 1 个 M20×1.5 电缆密封套 One moulded plastic M20×1.5 cable gland	Φ6-13mm
A2	塑制 1 个 M25×1.5 电缆密封套 One moulded plastic M25×1.5 cable gland	Φ9-17mm

全塑防爆LED条形灯杆式安装示意图 Diagram of pole mounting


主要数据 Main technical data

认证 Certification	防爆标志 Ex mark	符合标准 Meet the standard
China	Ex db ec II C T5/T4 GC Ex tb IIIC T80°C Db Ex db ec mb II C T5/T4 GC Ex tb IIIC T80°C Db 配置熔断器 With fuse	GB/T3836
IECEX	Ex db ec II C T5/T4 GC Ex tb IIIC T80°C Db Ex db ec mb II C T5/T4 GC Ex tb IIIC T80°C Db 配置熔断器 With fuse	IEC60079
ATEX	ⒺII 3G2D Ex db ec II C T5/T4 Gc Ex tb IIIC T80°C Db ⒺII 3G2D Ex db ec mb II C T5/T4 Gc Ex tb IIIC T80°C Db 配置熔断器 With fuse	EN60079

适用范围：用于 2 区, 21 区和 22 区 使用环境温度：-40°C≤T _a ≤+40°C (T5) -40°C≤T _a ≤+55°C (T4)	Intended use: Can be used in zone 2, zone 21 and zone 22 Ambient temperature use: -40°C≤T _a ≤+40°C (T5) -40°C≤T _a ≤+55°C (T4)
防护等级：IP66 (IP64 配呼吸阀 CZ0527)	Degree of protection: IP66 (IP64 with breather CZ0527)
额定电压：AC100 ~ 250V 50/60Hz, DC 100~250V	Rated voltage: AC100 ~ 250V 50/60Hz, DC 100~250V
色温：标配5000K, (可选3000K、4000K、6500K)	Colour temperature: Standard 5000K, (Optional 3000K, 4000K, 6500K)
功率因数：λ > 0.9	Power factor: λ > 0.9
充电时间：24 h	Recharging time: 24 h
电池充电环境温度：0°C ~ +55°C	Battery charging ambient temperature: 0°C ~ +55°C
电池放电环境温度：-20°C ~ +70°C	Battery discharge ambient temperature: -20°C ~ +70°C
应急启动时间：0.1 s	Emergency starting time: 0.1 s
应急照明时间：> 180 min	Emergency illuminating time: > 180 min
适用安装高度：宽光型：≤3m；窄光型：3 ~ 6m	Applicable installation height: wide beam: ≤ 3M, Narrow beam: 3 ~ 6M
接线端子：L1、L2、L、N、PE, 每个端子 2×1.5-10mm ²	Terminals: L1, L2, L, N, PE, each terminal 2×1.5-10mm ²
电气配置：标配防爆行程开关 (可选防爆熔断器)	Electrical configuration: Standard explosion-proof limit switch (Optional explosion-proof fuse)
电缆入口：标配M25 (可选M20)	Cable entry: Standard M25 (Optional M20)
标准型： 塑制 1-M25×1.5, 电缆外径：Φ9-17mm 塑制 2-M25×1.5 空塞堵头	Sandard type: Moulded plastic 1-M25×1.5 cable gland, outside diameter of cable: Φ9-17mm Moulded plastic 2-M25×1.5 stopping plugs
杆式安装型： 塑制 1-M25×1.5, 电缆外径：Φ9-17mm	Pole mounting: Moulded plastic 1-M25×1.5 cable gland, outside diameter of cable: Φ9-17mm

订购规格 Order specifications

图样 Illustration	配光 Light distribution	光源功率 Power of light source	光通量 Luminous flux		重量(kg) Weight	订购号 Order No.
			正常照明 Normal illumination	应急照明 Emergency illumination		
	宽光型 Wide beam	1×LED 26W	3113lm	880lm	6.5	CZ1875/221S-LED0026WWB5B-17-M-K□-B2+□
		2×LED 26W	6340lm	1221lm	9.2	CZ1876/221S-LED2026WWB5B-17-M-K□-B2+□
	窄光型 Narrow beam	1×LED 26W	2961lm	721lm	6.5	CZ1875/221S-LED0026WNB5B-17-M-K□-B2+□
		2×LED 26W	6260lm	1161lm	9.2	CZ1876/221S-LED2026WNB5B-17-M-K□-B2+□
	宽光型 Wide beam	1×LED 26W	3113lm	880lm	8.2	CZ1875/221P-LED0026WWB5B-17-M-K□-A2+□
		2×LED 26W	6340lm	1221lm	11.0	CZ1876/221P-LED2026WWB5B-17-M-K□-A2+□
	窄光型 Narrow beam	1×LED 26W	2961lm	721lm	8.2	CZ1875/221P-LED0026WNB5B-17-M-K□-A2+□
		2×LED 26W	6260lm	1161lm	11.0	CZ1876/221P-LED2026WNB5B-17-M-K□-A2+□

S-标准型 Standard type **安装型式 Mounting Type**

P-杆式安装型 Pole mounting type

3-3000K **4**-4000K **色温 Colour temperature**

5-5000K **6**-6500K

M-持续型 Maintained **应急型式 Type of emergency**

F: 防爆熔断器模块 (不配不注) Explosion-proof fuse module (Optional)

电缆引入装置编码 Code of cable gland

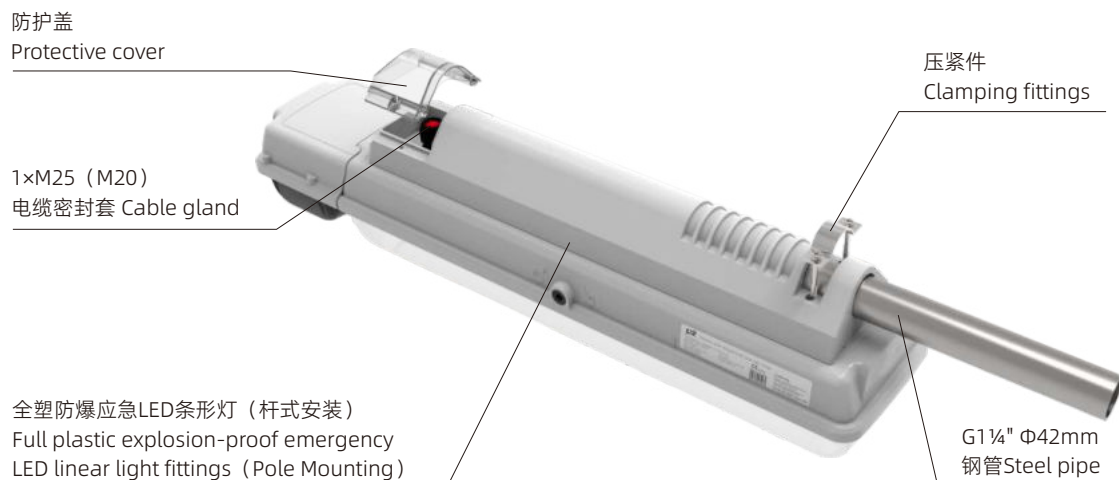
安装附件订购号 (不配不注) 见 D/11 页
Order No.of mounting accessories (Optional), see page D/11

标准型灯具电缆引入装置编码 Code of cable entry for standard type

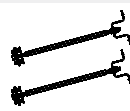
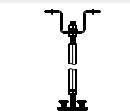
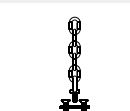
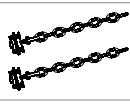
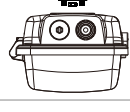

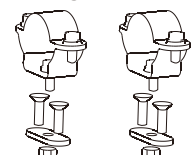
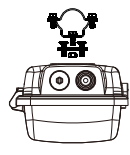

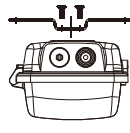

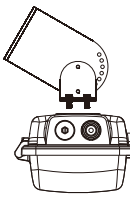
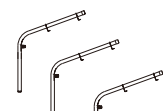
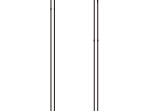
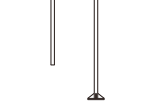
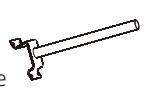
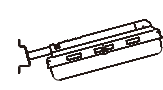

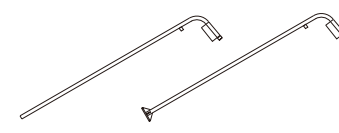
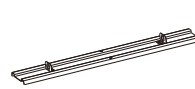
编码 Code	规格 Specifications	电缆直径 Cable diameter
B1	塑制 1 个 M20×1.5 电缆密封套，塑制 2 个 M20×1.5 空塞堵头 One moulded plastic M20×1.5 cable gland, two moulded plastic M20×1.5 stopping plugs	Φ6-13mm
C1	铜制 1 个 CZ0221/M20×1.5 金属电缆密封套，塑制 2 个 M20×1.5 空塞堵头 One brass CZ0221/M20×1.5 metal cable gland, two moulded plastic M20×1.5 stopping plugs	Φ6-13mm
D1	塑制 2 个 M20×1.5 电缆密封套，塑制 1 个 M20×1.5 空塞堵头 Two moulded plastic M20×1.5 cable glands, one moulded plastic M20×1.5 stopping plug	Φ6-13mm
E1	铜制 2 个 CZ0221/M20×1.5 金属电缆密封套，塑制 1 个 M20×1.5 空塞堵头 Two brass CZ0221/M20×1.5 metal cable glands, one moulded plastic M20×1.5 stopping plug	Φ6-13mm
H1	铜制 1 个 CZ0226/M20×1.5(G01) 增安型金属电缆密封套，塑制 2 个 M20×1.5 空塞堵头 One brass CZ0226/M20×1.5(G01) increased safety metal cable gland, two moulded plastic M20×1.5 stopping plugs	Φ8-13.5mm
I1	铜制 2 个 CZ0226/M20×1.5(G02) 增安型金属电缆密封套，塑制 1 个 M20×1.5 空塞堵头 Two brass CZ0226/M20×1.5(G02) increased safety metal cable glands, one moulded plastic M20×1.5 stopping plug	Φ8-13.5mm
B2	塑制 1 个 M25×1.5 电缆密封套，塑制 2 个 M25×1.5 空塞堵头 One moulded plastic M25×1.5 cable gland, two moulded plastic M25×1.5 stopping plugs	Φ9-17mm
C2	铜制 1 个 CZ0221/M25×1.5 金属电缆密封套，塑制 2 个 M25×1.5 空塞堵头 One brass CZ0221/M25×1.5 metal cable gland, two moulded plastic M25×1.5 stopping plugs	Φ9-17mm
D2	塑制 2 个 M25×1.5 电缆密封套，塑制 1 个 M25×1.5 空塞堵头 Two moulded plastic M25×1.5 cable glands, one moulded plastic M25×1.5 stopping plug	Φ9-17mm
E2	铜制 2 个 CZ0221/M25×1.5 金属电缆密封套，塑制 1 个 M25×1.5 空塞堵头 Two brass CZ0221/M25×1.5 metal cable glands, one moulded plastic M25×1.5 stopping plug	Φ9-17mm
H2	铜制 1 个 CZ0226/M25×1.5(G02) 增安型金属电缆密封套，塑制 2 个 M25×1.5 空塞堵头 One brass CZ0226/M25×1.5(G02) increased safety metal cable gland, two moulded plastic M25×1.5 stopping plugs	Φ11.5-16mm
I2	铜制 2 个 CZ0226/M25×1.5(G02) 增安型金属电缆密封套，塑制 1 个 M25×1.5 空塞堵头 Two brass CZ0226/M25×1.5(G02) increased safety metal cable glands, one moulded plastic M25×1.5 stopping plug	Φ11.5-16mm

杆式安装型灯具电缆引入装置编码 Code of cable entry for pole mounting type

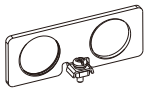
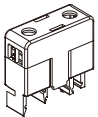

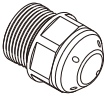
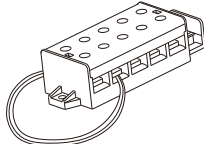

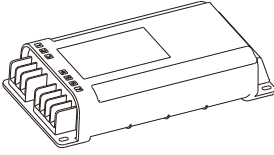
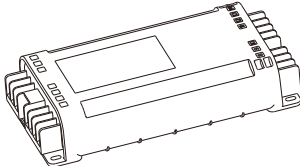
编码 Code	规格 Specifications	电缆直径 Cable diameter
A1	塑制 1 个 M20×1.5 电缆密封套 One moulded plastic M20×1.5 cable gland	Φ6-13mm
A2	塑制 1 个 M25×1.5 电缆密封套 One moulded plastic M25×1.5 cable gland	Φ9-17mm

全塑防爆应急LED条形灯杆式安装示意图 Diagram of pole mounting


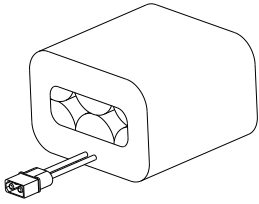
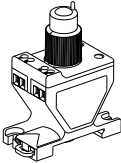
安装附件 Accessories of mounting

图样 Illustration	描述 Descriptions		单位 Unit	订购号 Order No.
吊杆式附件 Accessories for pendant type 			套 Set	D622
吊链式附件 Accessories for chain type 			套 Set	D623
夹管附件M8螺钉安装 Accessories for clamp type M8 bolt mounting 		G1 1/4" Φ42mm 不锈钢 Stainless steel	套 Set	J200/304
		G1 1/2" Φ48mm 不锈钢 Stainless steel	套 Set	J300/304
		G2" Φ60mm 不锈钢 Stainless steel	套 Set	J400/304
吸顶式支架 Support for ceiling type 		不锈钢 Stainless steel	套 Set	D621/304
可调安装支架 Adjustable mounting bracket 			套 Set	D8738
壁式灯杆 Lamp pole of wall type		用于CZ1875 LED条形灯 Used for CZ1875 LED linear light fittings	套 Set	D8709/1A
		用于CZ1876 LED条形灯 Used for CZ1876 LED linear light fittings	套 Set	D8709/2A
护栏式灯杆 Lamp pole of fence type		用于CZ1875 LED条形灯 Used for CZ1875 LED linear light fittings	套 Set	D8710/1A
		用于CZ1876 LED条形灯 Used for CZ1876 LED linear light fittings	套 Set	D8710/2A
法兰式灯杆 Lamp pole of flange type		用于CZ1875 LED条形灯 Used for CZ1875 LED linear light fittings	套 Set	D8711/1A
		用于CZ1876 LED条形灯 Used for CZ1876 LED linear light fittings	套 Set	D8711/2A
杆式墙壁安装支架 Wall mounting bracket of pole type 		用于杆式安装条形灯 Use for pole mounting linear light fittings	套 Set	D8739
护栏式灯杆 Lamp pole of fence type		用于杆式安装条形灯 Use for pole mounting linear light fittings	套 Set	D8740
法兰式灯杆 Lamp pole of flange type		用于杆式安装条形灯 Use for pole mounting linear light fittings	套 Set	D8741
护栏式灯杆 Lamp pole of fence type			套 Set	D8705
法兰式灯杆 Lamp pole of flange type			套 Set	D8706
安装支架 Mounting bracket		用于CZ1875 LED 条形灯 Used for CZ1875 LED linear light fittings	套 Set	D8742/1
		用于CZ1876 LED 条形灯 Used for CZ1876 LED linear light fittings	套 Set	D8742/2

备件 Spare parts

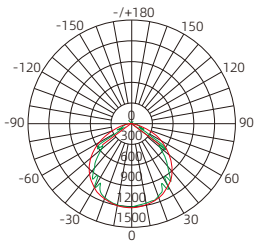
图样 Illustration	描述 Descriptions	单位 Unit	订购号 Order No.
接地螺母 Earthing nut 	金属接地螺母 2-M20×1.5 Metal earthing nut 2-M20×1.5	套 Set	D8714/2-M20
	金属接地螺母 2-M25×1.5 Metal earthing nut 2-M25×1.5	套 Set	D8714/2-M25
防爆熔断器模块 Explosion-proof fuse module 	防爆型式 Type of protection Ⅱ 2G Ex e mb II C Gb	0.8A 只 Piece	CZ0804 / T0.8A
		1.25A 只 Piece	CZ0804 / T1.25A
		6.3A 只 Piece	CZ0804 / T6.3A
防爆行程开关模块 Explosion-proof limit switch module 	防爆型式 Type of protection Ⅱ 2G Ex db eb IIC Gb 触点二常闭 (2NC) Contact: 2NC	只 Piece	CZ0207-1
增安型呼吸、排流阀 Increased safety breathing, drainage valve 	防爆型式 Type of protection Ⅱ 2GD Ex eb IIC Gb Ex tb IIIC Db	只 Piece	CZ0527 2515 e001
带导线端子板 Terminal board with cable 	3P 端子, 导线 3×2.5mm ² , max16A, L1+N+PE 3P terminal, Conductor 3×2.5mm ²	套 Set	305/1A
	4P 端子, 导线 4×2.5mm ² , max16A, L1+L2+N+PE 4P terminal, Conductor 4×2.5mm ²	套 Set	305/3A
LED 光源模块 LED light source module 	功率 Power: Max30W / 4240 lm / 5000K 宽光型 (发光角度110°) Wide beam (Luminous angle 110°)	只 Piece	CZ1718/11B-LED30WWB5B
	功率 Power: Max30W / 4240 lm / 5000K 窄光型 (发光角度55°) Narrow beam (Luminous angle 55°)	只 Piece	CZ1718/11B-LED30WNB5B
电源可调光模块 (0-10V) Power supply module with lighting dimming (0-10V) 	功率: 最大30W, 用于 1×LED26W 条形灯 Power: Max30W, Used for 1×LED26W linear light fittings AC/DC 100~250V 50/60Hz	只 Piece	CZ1718/57B-LED30W
	功率: 最大60W, 用于 2×LED26W 条形灯 Power: Max60W, Used for 2×LED26W linear light fittings AC/DC 100~250V 50/60Hz	只 Piece	CZ1718/57B-LED60W
应急照明电源模块 Emergency lighting power module 	正常功率: 最大30W, 应急功率: 7W, 用于1×26W应急LED条形灯 Normal power: Max 30W, Emergency power: 7W, Used for 1×26W emergency LED linear light fittings AC/DC 100~250V 50/60Hz	只 Piece	CZ1718/58B-LED30W-07
	正常功率: 最大60W, 应急功率: 10W, 用于2×26W应急LED条形灯 Normal power: Max 60W, Emergency power: 10W, Used for 2×26W emergency LED linear light fittings AC/DC 100~250V 50/60Hz	只 Piece	CZ1718/58B-LED60W-10

备件 Spare parts

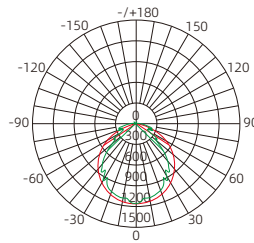
图样 Illustration	描述 Descriptions	单位 Unit	订购号 Order No.
 防爆电池模块 Explosion-proof battery module	规格 Specifications: 4.5Ah/7.2V	套 Set	CZ0819/4.5Ah 7.2V-B
 防爆信号灯带按钮模块 Explosion-proof signal lamp with push button module	防爆型式 Type of protection $\text{Ex II 2G Ex db eb IIC Gb}$ 信号灯: DC2.0V (红、黄)、DC3.0V (绿) 按钮开关: DC 30V 5A Signal lamp: DC 2.0V (red, yellow), DC3.0V (green) Push button switch: DC 30V 5A	只 Piece	CZ0212-6405L

配光曲线 Luminous intensity distribution curve — C0/180 — C90/270

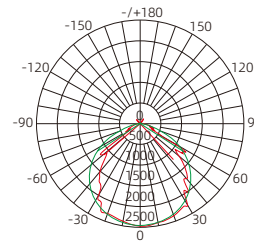
光强单位 luminous intensity unit: cd

CZ1875、CZ1876 全塑防爆LED条形灯 Full plastic explosion-proof LED linear light fittings

 平均光束角 (50%) : 110.2度
 The average beam angle (50%) : 110.2 Degree

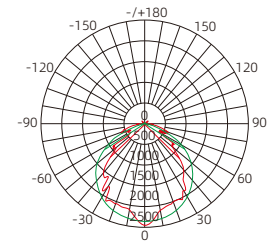
CZ1875/211□-LED0026WWB5□-17


 平均光束角 (50%) : 103.2度
 The average beam angle (50%) : 103.2 Degree

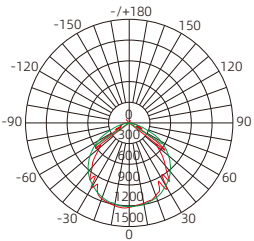
CZ1875/211□-LED0026WNB5□-17

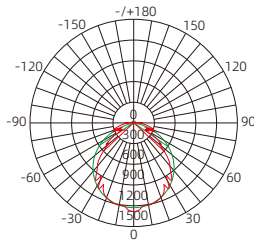

 平均光束角 (50%) : 108.9度
 The average beam angle (50%) : 108.9 Degree

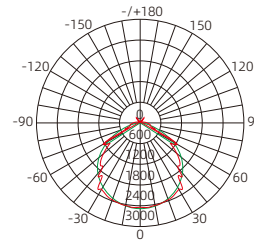
CZ1876/211□-LED2026WWB5□-17

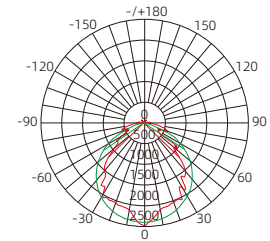

 平均光束角 (50%) : 103.0度
 The average beam angle (50%) : 103.0 Degree

CZ1876/211□-LED2026WNB5□-17

CZ1875、CZ1876 全塑防爆应急LED条形灯 Full plastic explosion-proof emergency LED linear light fittings

 平均光束角 (50%) : 109.6度
 The average beam angle (50%) : 109.6 Degree

 CZ1875/211□-LED0026WWB5□-17-M
 正常照明 Normal illumination

 平均光束角 (50%) : 102.5度
 The average beam angle (50%) : 102.5 Degree

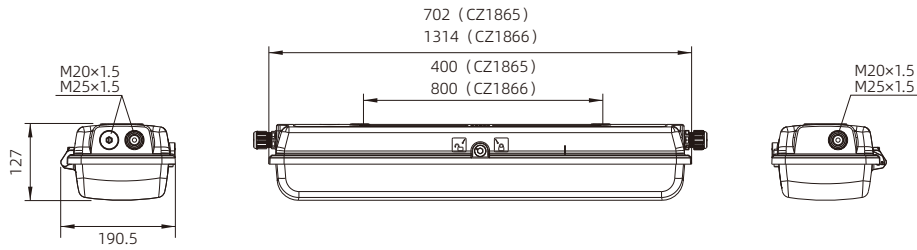
 CZ1875/211□-LED0026WNB5□-17-M
 正常照明 Normal illumination

 平均光束角 (50%) : 108.6度
 The average beam angle (50%) : 108.6 Degree

 CZ1876/211□-LED2026WWB5□-17-M
 正常照明 Normal illumination

 平均光束角 (50%) : 101.9度
 The average beam angle (50%) : 101.9 Degree

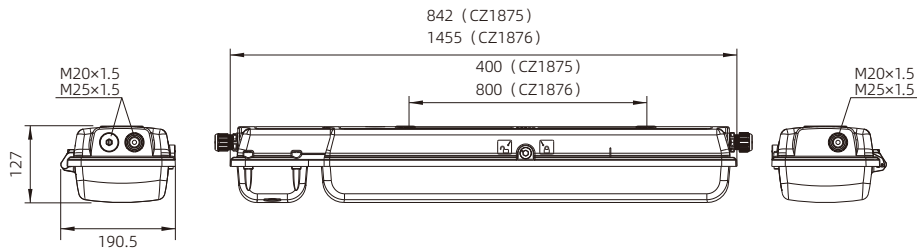
 CZ1876/211□-LED2026WNB5□-17-M
 正常照明 Normal illumination

安装形式和外形尺寸 Mounting types and outline dimensions

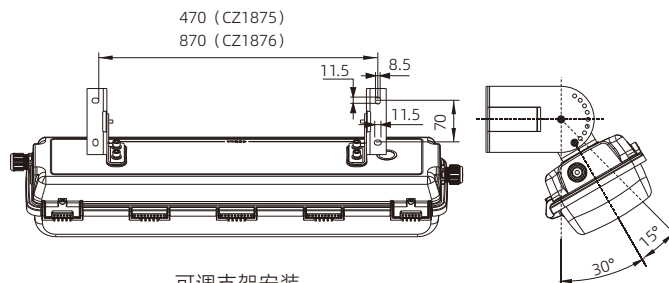
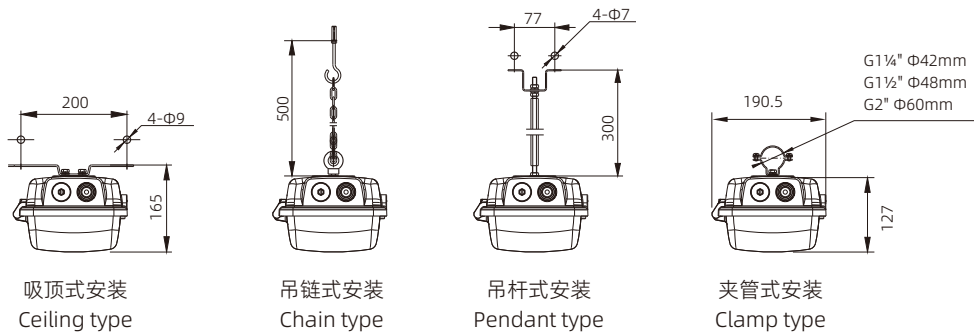
单位 Unit: mm



全塑防爆LED条形灯
Full plastic explosion-proof LED linear light fittings



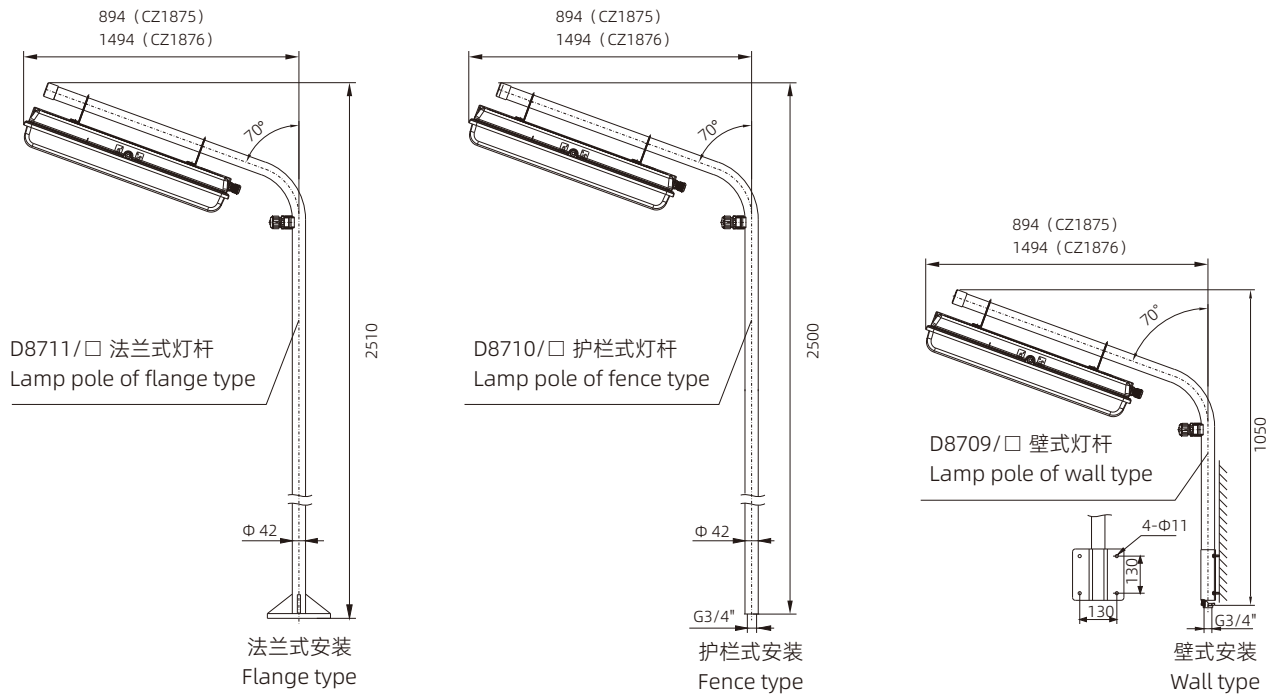
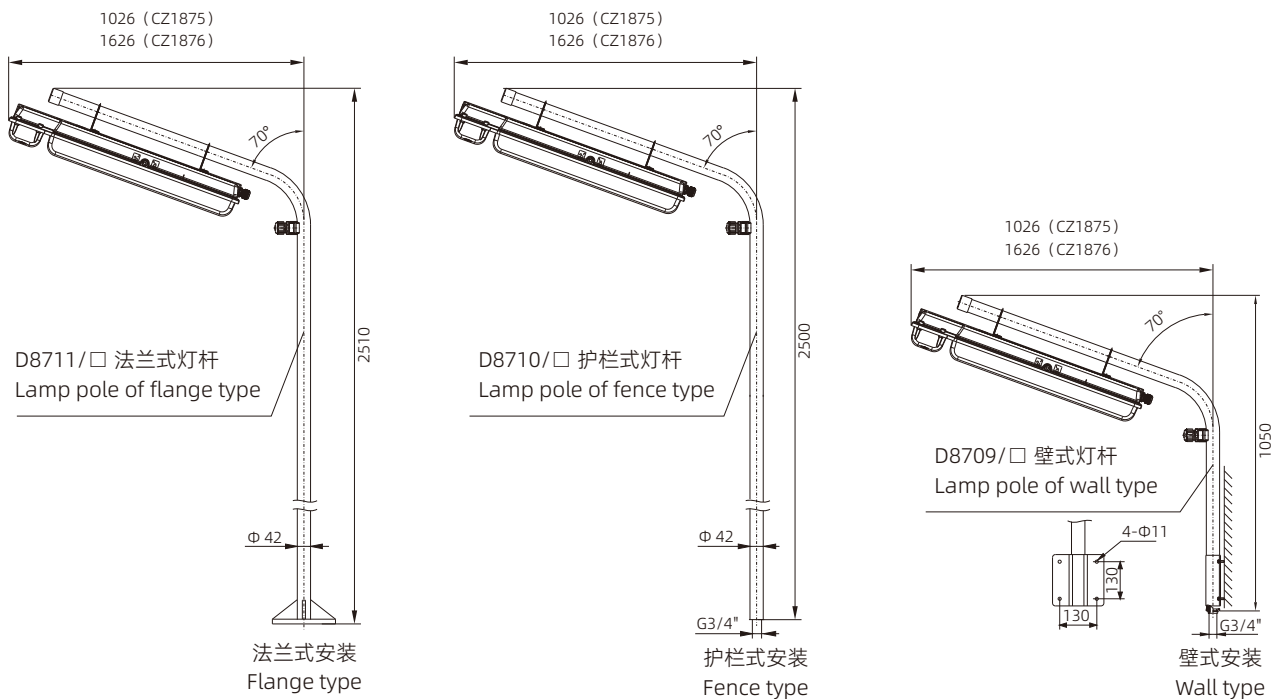
全塑防爆应急LED条形灯
Full plastic explosion-proof emergency LED linear light fittings



可调支架安装
Adjustable mounting bracket

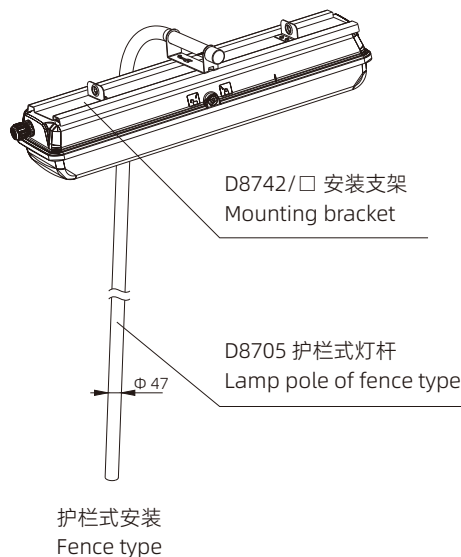
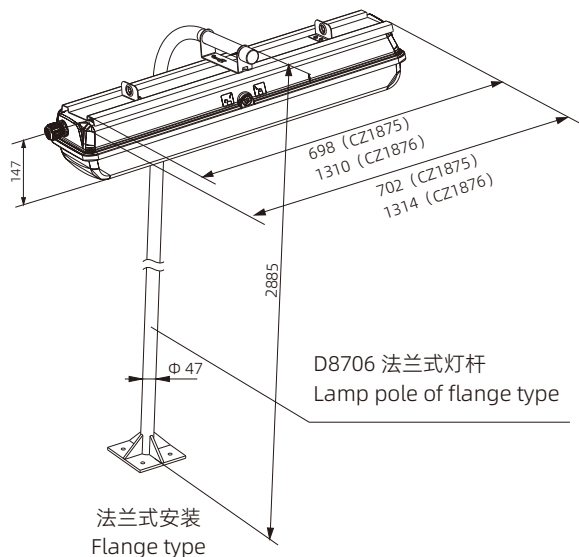
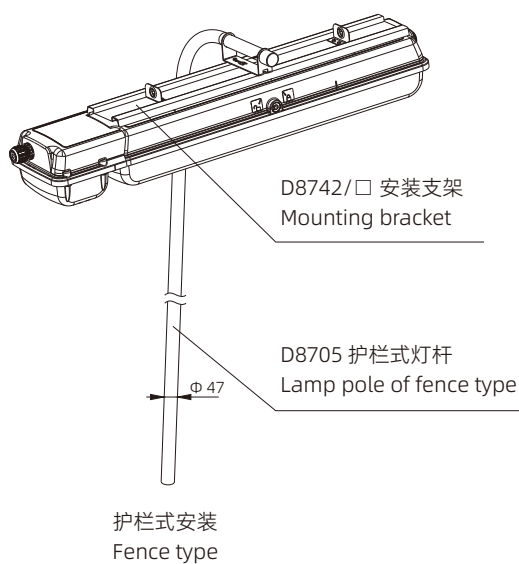
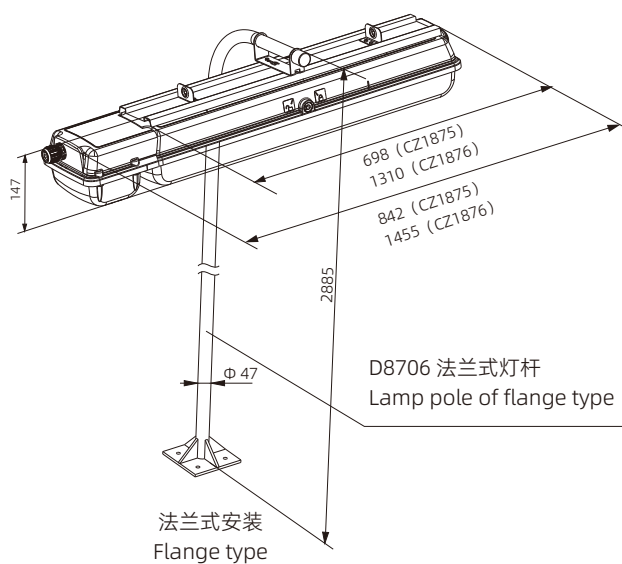
安装形式和外形尺寸 Mounting types and outline dimensions

单位 Unit: mm

 全塑防爆LED条形灯
 Full plastic explosion-proof LED linear light fittings

 全塑防爆应急LED条形灯
 Full plastic explosion-proof emergency LED linear light fittings


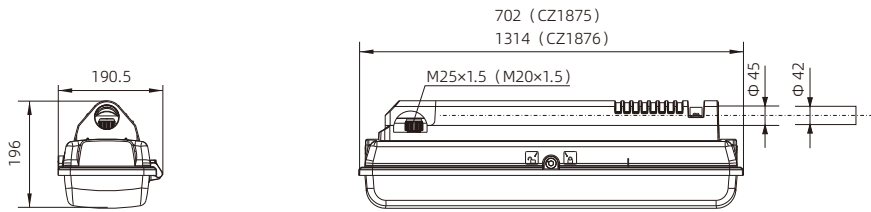
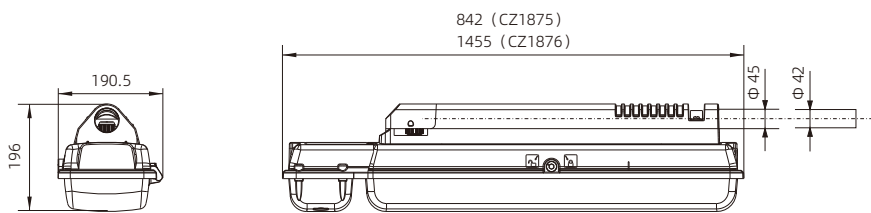
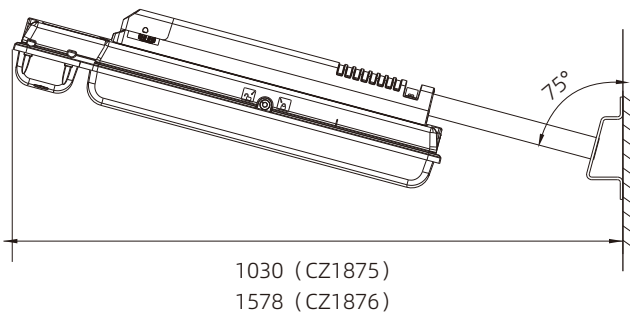
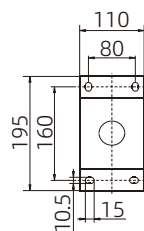
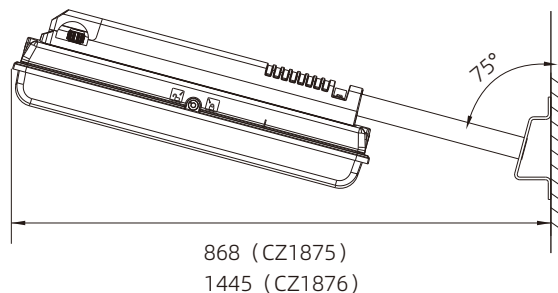
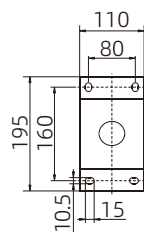
安装形式和外形尺寸 Mounting types and outline dimensions

单位 Unit: mm

 全塑防爆LED条形灯
 Full plastic explosion-proof LED linear light fittings

 全塑防爆应急LED条形灯
 Full plastic explosion-proof emergency LED linear light fittings


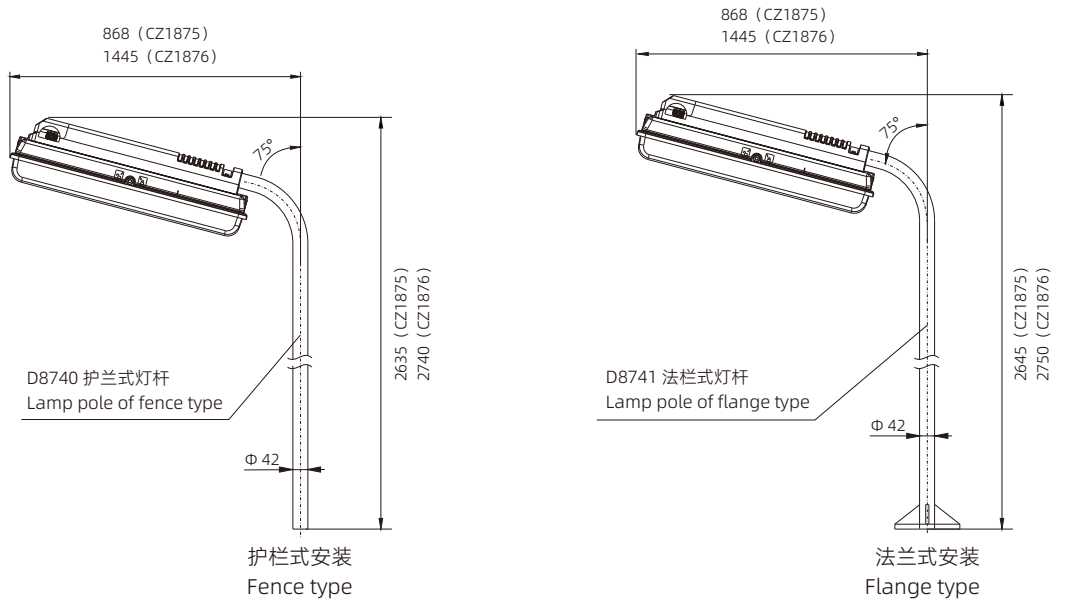
安装形式和外形尺寸 Mounting types and outline dimensions

单位 Unit: mm


 CZ187□/2□1P 全塑防爆LED条形灯（杆式安装）
 Full plastic explosion-proof LED linear light fittings (Pole Mounting)

 CZ187□/2□1P 全塑防爆应急LED条形灯（杆式安装）
 Full plastic explosion-proof emergency LED linear light fittings (Pole Mounting)

 D8739 杆式墙壁安装支架
 Wall mounting bracket of pole type

安装形式和外形尺寸 Mounting types and outline dimensions

单位 Unit: mm

 全塑防爆LED条形灯
 Full plastic explosion-proof LED linear light fittings

 全塑防爆应急LED条形灯
 Full plastic explosion-proof emergency LED linear light fittings
