



Vertical Solar PV Poles

MORELUX POLES

ALL RIGHTS RESERVED



China Office: 17/F Guangbo Mansion, #1357, Yinxian Avenue Yinzhou District, Ningbo, China 315100

China Factory: No.399 Longfei Road, Yunlong Town, Yinzhou District, Ningbo, China 315137

Malaysia Factory: No.14, Jalan Anggerik Mokara 31/50, Seksyen 31, Kota Kemuning, 40460 Shah Alam, Selangor

Tel: +86-574-87715000 / Fax: +86-574-87717000

Email: info@moreluxpole.com Web: www.moreluxpole.com

2025 Edition





THE CAPABILITIES OF MORELUX POLE FACTORY

CERTIFICATIONS



PLASMA CUTTING MACHINE



MAX LEN GTH = 14M
 MAX THICKNE SS = 12MM
 MAX SHEET WI DTH = 2400MM
 MOSTLY FOR CUTTING STEEL
 POLE RAW MATERIAL

GAS CUTTING MACHINE



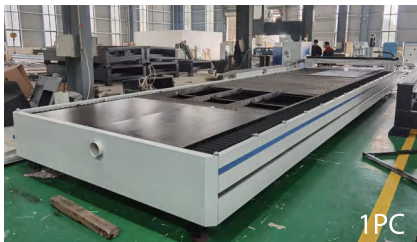
MAX LEN GTH = 6M
 MAX THICKNE SS = 40MM
 MAX SHEET WI DTH = 2400MM
 MOSTLY FOR CUTTING STEEL
 POLE RAW MATERIAL

LASER CUTTING MACHINE 2000W



MAX LEN GTH = 6M
 MAX THICKNE SS = 20MM FOR STEEL SHEET
 4MM FOR ALUMINUM SHEET
 MAX SHEET WI DTH = 2400MM
 MOSTLY FOR CUTTING STEEL POLE RAW MATERIAL

LASER CUTTING MACHINE 4000W



MAX LEN GTH = 6M
 MAX THICKNE SS = 25MM FOR STEEL SHEET
 8MM FOR ALUMINUM SHEET
 MAX SHEET WI DTH = 2400MM
 MOSTLY FOR CUTTING STEEL POLE RAW MATERIAL

1600T 14M PRESS MACHINE



SHAPE = ROUND/O CT & PO LYGONAL
 TAPER = 11%-13%
 MIN O/D = 60MM
 MAX O/D = 500MM
 THICKNE SS = 3, 4, 5, 6, 8, 10, 12mm, MATERIAL
 MAX LEN GTH = UP TO 14MM
 MOSTLY FOR ROLLING STEEL POLE RAW MATERIAL

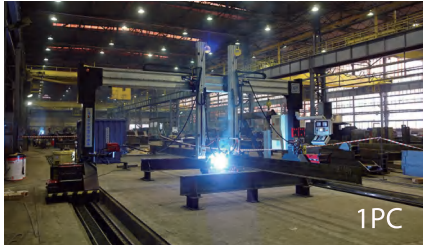
170T 4M PRESS MACHINE



MAX LEN GTH = 6M
 MAX THICKNE SS = 40MM
 MAX SHEET WI DTH = 2400MM
 MOSTLY FOR ROLLING STEEL
 POLE RAW MATERIAL



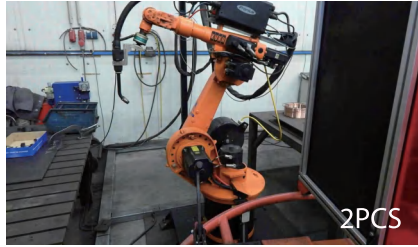
14M SINGLE WELDING MACHINE



1PC

SHAPE = ROUND/O CT & PO LYGONAL
 MIN OD = 60MM
 MAX OD = 500MM
 MAX LEN GTH = 14M
 THICKNE SS = 3,4,5,6,8,10,12MM M ATRIAL
 FOR BOTH STEEL AND ALUMINUM

KUKA ROBERT WELDING MACHINE



2PCS

SHAPE = NORMAL WELDING
 FOR BOTH STEEL AND ALUMINUM

AUTOMATIC WELDING MACHINE



1PC

SHAPE = FLANGE BASE WELDING
 FOR BOTH STEEL AND ALUMINUM

CNC MACHINE



6PCS

FOR DRILLING, ENGRAVING, SCREW
 THREAD AND ETC.

13.5M ALUMINUM SPINNING MACHINE(FOR ALUMINUM TAPPED POLE)



3PCS

SHAPE = ROUND TAPPED(BASIC)
 & CUS TOM DESIGNED SHAPE
 MIN OD = 100MM
 MAX OD = 250MM
 MAX LEN GTH = 13.5M
 THICKNE SS = 4,4.8,6.35MM A LUMINUM M ATRIAL
 FOR ALUMINUM POLE RAW MATERIAL

6M ALUMINUM SPINNING MACHINE(FOR ALUMINUM TAPPED POLE)



1PC

SHAPE = ROUND TAPPED(BASIC)
 & CUS TOM DESIGNED SHAPE
 MIN OD = 30MM
 MAX OD = 114MM
 MAX LEN GTH = 6M
 THICKNE SS = 3,4,5,6MM A LUMINUM M ATRIAL
 FOR ALUMINUM POLE RAW MATERIAL

T6 HEAT TREATMENT OVEN



1PC

T6 TRE ATMENT OVEN FOR
 ALUMINUM POLE MAX LEN GTH = 13.5M POLES
 OVEN LEN GTH = 20M
 OVEN WI DTH: = 3M
 FOR SURFACE TREATMENT. UP TO 13HW

13.5M AUTOMATIC ANODIZED POOL



1PC

MAX LEN GTH = 13.5M
 THICKNE SS = 3,4,5,6MM
 ALUMINUM M ATRIAL
 ANODIZED CO LOUR: = SILVER,LIGHT BR OWN,
 FOR SURFACE BRO WN,BL ACK
 TREATMENT

AUTOMATIC PAINTING LINE



1PC

FOR SURFACE TREATMENT
 WE HAVE SPECIAL CAPABILITY TO DO MARINE PAINT
 AS PER CUSTOMER REQUIREMENTS.



The Benefits of Solar Poles

Eco-friendly: Solar poles use solar energy, which is a clean, renewable and abundant source of power, reducing the reliance on fossil fuels and decreasing greenhouse gas emissions.

Cost-effective: Solar poles can significantly reduce the electricity bills, as they harness power directly from the sun. Solar poles also have low maintenance and operation costs, as they do not require wiring or grid connection. Solar poles can also last for more than 25 years, providing long-term savings.



Versatile: Solar poles can be installed in various locations, such as streets, parks, gardens, parking lots, etc., without the need for grid access or infrastructure. Solar poles can also be customized to fit different designs, styles, and functions, such as smart poles, decorative poles, security poles, etc.

Innovative: Solar poles can incorporate advanced technologies such as sensors, cameras, Wi-Fi, speakers, etc., to provide additional services and features such as traffic management, surveillance, communication, entertainment, etc. Solar poles can also be integrated with other smart devices and platforms such as smart grids, smart cities, etc., to create a connected and intelligent network.



A Complete Vertical Solar Powered Lighting System

Light Fixture

Long lifespan, high lumen output, solar optimized remote power supply.

Wireless Connectivity

Built in communication hardware to track system parameters and data online via software.

Modularized Solar Panels

Modular design, high efficiency, flexibility.

Aluminium/Steel Construction

Quality-proven materials to provide a strong and reliable pole.

MPPT Controller

Using cutting-edge controlling technology to achieve efficient energy saving.

LiFePO4 Battery

Long lasting, easy maintenance, large capacity, safe and reliable.

Customizable Surface Finish

Powder coating, anodizing, satin brushed available.





Advantages of Vertical Solar PV Poles

Space Efficiency

Vertical solar panels can be installed in areas with limited horizontal space, making them suitable for urban environments, small yards, or locations where traditional solar panels might not be feasible.

Aesthetics

Vertical solar panels can be integrated into architectural designs more seamlessly than traditional solar panels. The sleekness of the vertical panels creates an aesthetic appeal that harmonizes with urban landscapes.

Wind Resistance

Vertical solar panels have better wind resistance compared to traditional solar panels, as they present a smaller surface area to the wind. This can be advantageous in locations prone to strong winds or storms.

Dust Resistance

The vertical installation of the panel safeguards it from sand, dust, and snow. This orientation results in less accumulation of dust or snow on its surface, thereby reducing the need for frequent cleaning.

Sunlight Capture at Different Angles

Vertical solar panels can capture sunlight from different angles throughout the day, potentially improving energy production, and in partially shaded conditions. No onsite orientation is needed.

Modular Installation

The cylindrical solar module is based on a modular design concept for easy installation and disassembly. It can be quickly and easily mounted onto any suitable pole.

Cooling Effect

Some vertical solar panel designs allow for natural airflow around the panels, which can contribute to cooling. This can help improve the efficiency of the solar panels by preventing them from overheating.



The Future is Here







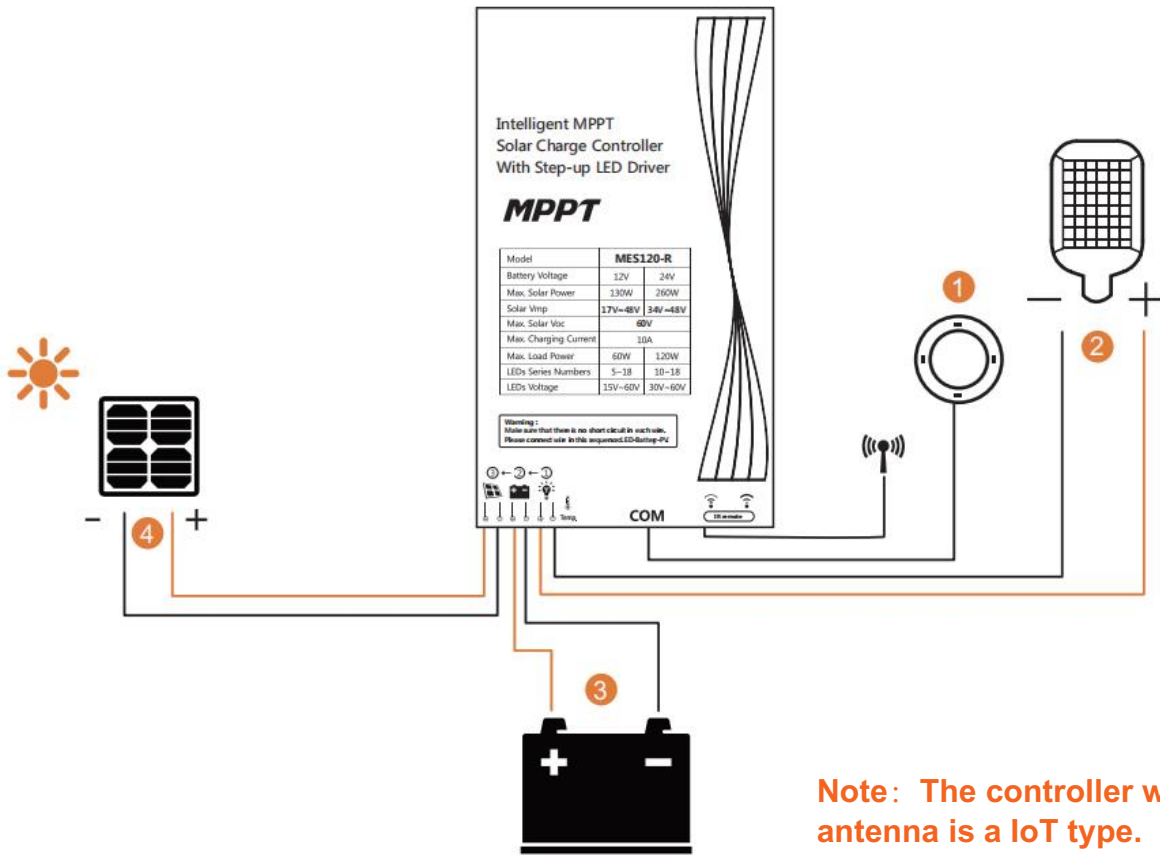
Morelux Unique Vertical Solar PV Solution

- Patent Design
- Modularization for Retrofit use
- Integrated Pack with Battery and MPPT Controller
- Available for Solar and Hybrid Solution
- Five Year Warranty for Whole Module





MPPT Controller Technology



MPPT

Using MovingTrack MPPT maximum power tracking technology, higher tracking efficiency and faster speed.



Intelligent

A variety of intelligent power modes are available for choice, with load power adjustable automatically according.



Communication

Infrared wireless communication, allowing for setting/reading parameters, reading status, etc;



Safety

Multiple protections such as battery/PV reverse polarity protection, LED short-circuit/open-circuit/limited.



Reliable

Battery charge and discharge high and low temperature protection, with operating temperature settable.



Waterproof

Full aluminum housing, IP67 waterproof rating, applicable to a variety of harsh environments.



Smart Control Solutions

An intelligent monitoring system for solar lighting is a network-based system that integrates sensors, controllers, and communication modules to collect, analyze, and control the status of the lights remotely. The system can perform various functions.

Single light control



Control street light switch, brightness adjustment, current collection, voltage acquisition, power calculation and power factor function

Energy management



Support energy consumption online monitoring and storage, support configuration energy saving strategy.

Wireless network



NB-IoT.GPRS is adopted from the device side to the cloud.cellular networks such as LTE, no wiring required.

Intelligent monitoring



Support remotely via PC web terminal and mobile APP process monitoring, remote control.

Fault management

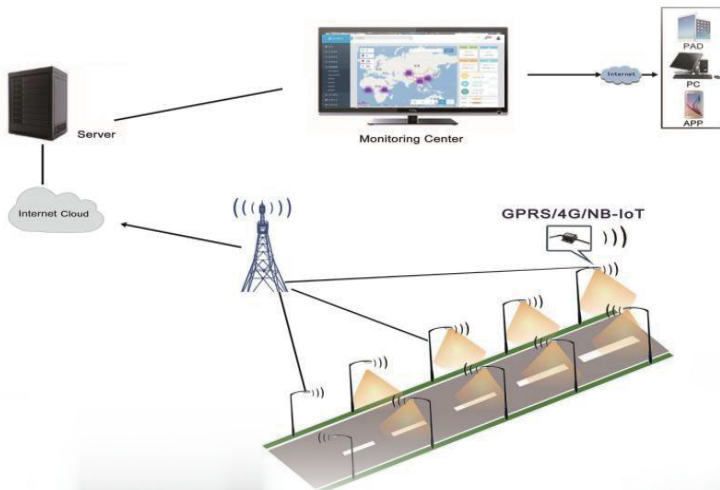


Support street lamp automatic. Report fault information, support communication troubleshoot through the platform and query historical fault functions

Big data analysis



Mass data based on the platform. Can carry out street lamp failure analysis. Energy consumption analysis provides a basis for the maintenance of street lamp equipment, energy saving and consumption reduction.





NEW COMPACT BATTERY PACK SERIES



MLB883



MLB576



MLB1331

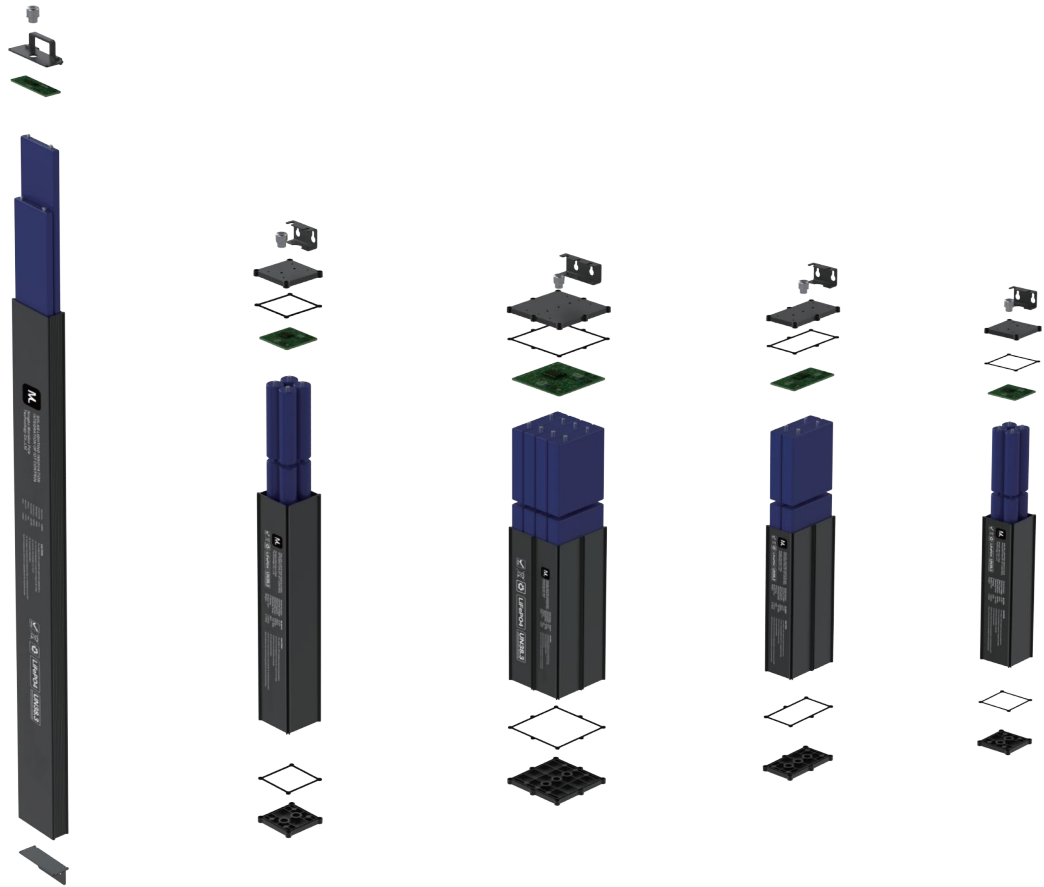


MLB666



MLB384

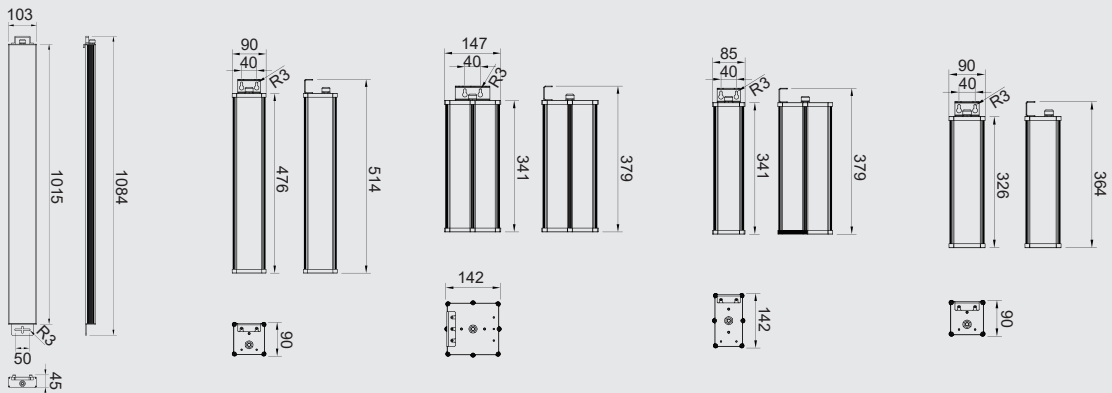
- Stable chemical structure and a low operating voltage, which makes it less prone to thermal runaway, fire, or explosion.
- Be able to start up at zero voltage when battery runs out.
- Last for more than 2000 cycles with 100% DOD (Depth of Discharge), has a low degradation rate and a high residual capacity after long-term use.
- Equip with shell of aluminum alloy, sealed and waterproof, with strong environmental protection.
- Low internal resistance, greatly improves the efficiency of the whole system.
- Operate in a wide range of temperatures from -20°C to 50°C without significant degradation.
- Built-in heating and insulation system which makes it work normally in cold and hot conditions.



Specification

Model Number	MLB883	MLB576	MLB1331	MLB666	MLB384
Nominal Voltage	6.4V	12.8V	25.6V	12.8V	12.8V
Rated Capacity	138AH	45AH	52AH	52AH	30AH
Rated Watt Hour	883WH	576WH	1331WH	666WH	384WH
Operating Temp	-20~50°C	-20~50°C	-20~50°C	-20~50°C	-20~50°C
IP Rating	IP67	IP67	IP67	IP67	IP67
Battery Cell	LiFePO4	LiFePO4	LiFePO4	LiFePO4	LiFePO4
Cell Shape	Blade Cell	Cylindrical Cell	Prismatic Cell	Prismatic Cell	Cylindrical Cell
Cell Size (MM)	960*90*13.5	φ32*140	148*115*27	148*115*27	φ32*140
Net Weight	6.55kg	4.90kg	10.45kg	5.38kg	3.40kg

Pack Dimensions(MM)





Flexible HJT Solar Panel Kits

Flexible solar panels, like traditional rooftop solar panels, utilize photovoltaic cells to produce electricity. The key distinction lies in the construction of their PV cells, which are mounted on a flexible substrate rather than a rigid frame of aluminum and glass.

Morelux solar poles use Flexible Heterojunction (HJT) solar panels which integrate the advantages of the Thin Film solar cell and Mono-crystalline cell.

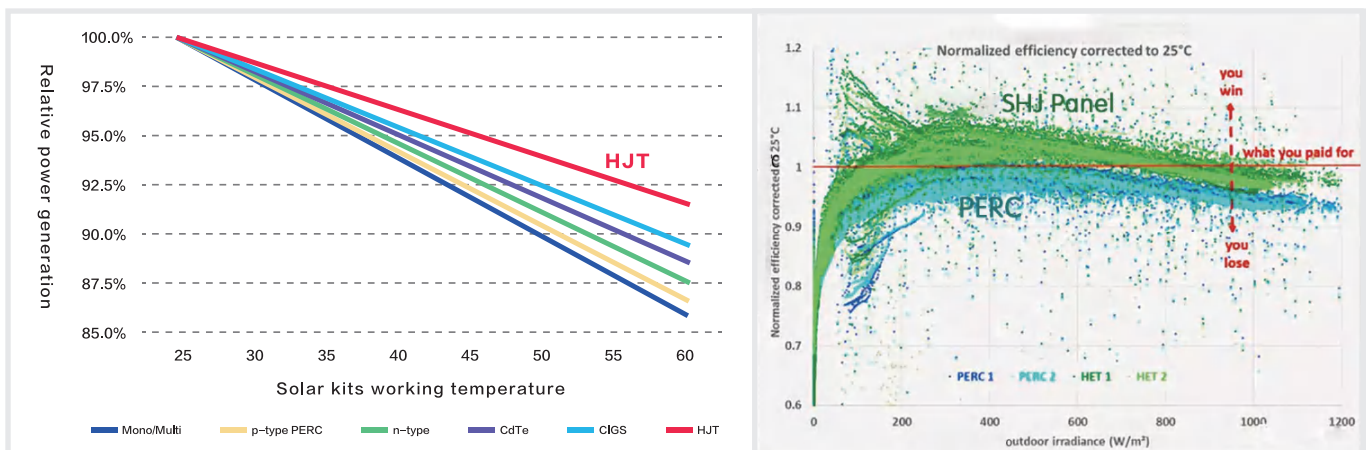
Irreplaceable advantages:

- Higher efficiency, and best performance

	Crystalline Silicon Type				Film Type	
	HJT	IBC by Sunpower, USA	BC, Ribbon-based	Poly & Mono Crystalline & TOPCON	CIGS	Amorphous silicon
Conversion Efficiency %	24-25.5	23-25	23-25	22-24	12-15	8-10
Weight (kg/m ²)	0.5-2.5	1.5-3	1.5-3	1.5-3	2.5	1.5-3
Thickness (mm)	0.5-1.5	2-3	2-3	2-3	3	1
Weak Light Performance (VOC@0.01sun/VOC@1sun)	84%	82%	82%	57%	75%	76%
Temperature Rate (%/°C)	-0.26	-0.3	-0.3	-0.42	-0.38	-0.23
Anti-cracking Performance	Good	Good	Bad	Bad	Best	Best
Flexible Performance	Good	Good	Bad	Bad	Best	Best

- 0.26%/°C Low Temp, Excellent Weak Light Performance

HJT solar panel has excellent weak light performance. When under cloudy, haze condition, weak light performance helps get more yield. A temperature coefficient rating of -0.26%/°C, helps generate greater electricity output on the hottest days, which supports HJT solar panels to generate up to 4% more power than mainstream PERC solar panels at high temperatures.





Great power generation capability. The output is 50-80% higher than CIGS Cylinder solar panel, 10-20% higher than IBC Cylinder solar panel.



Field Test

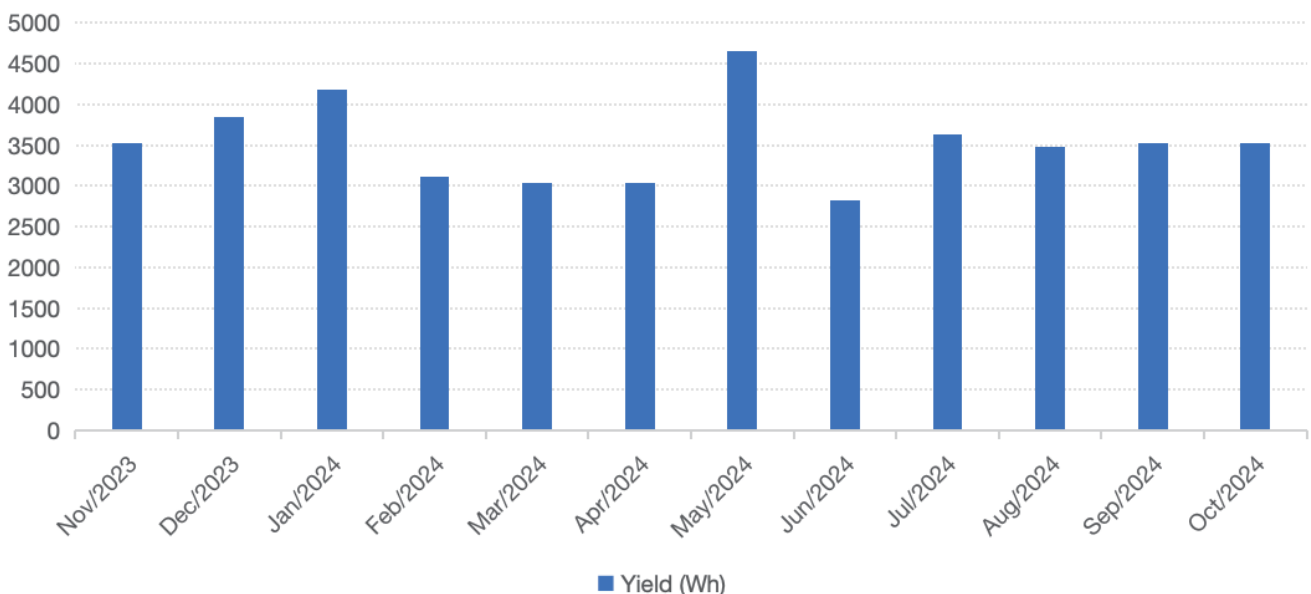
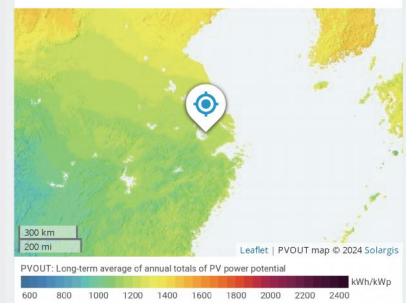
Cylinder HJT Solar Panel: 120W 17.7V
 Controller: Victron MPPT
 Battery: LiFePO4 12.8V, 36AH
 Output: Max 200-220Wh (Sunny day),
 40-170Wh (Cloudy day),
 20-70Wh (Rainy day)

Total Output (12 months): 42.396kWh
Effective Solar panel irradiation area: 0.198m²
Efficiency: $42.396 / 0.198 / 828.7 = 25\%$

Location: Suzhou, China 31.292423°, 120.45359°

Annual averages **828.7**
 Direct normal irradiation kWh/m² per year

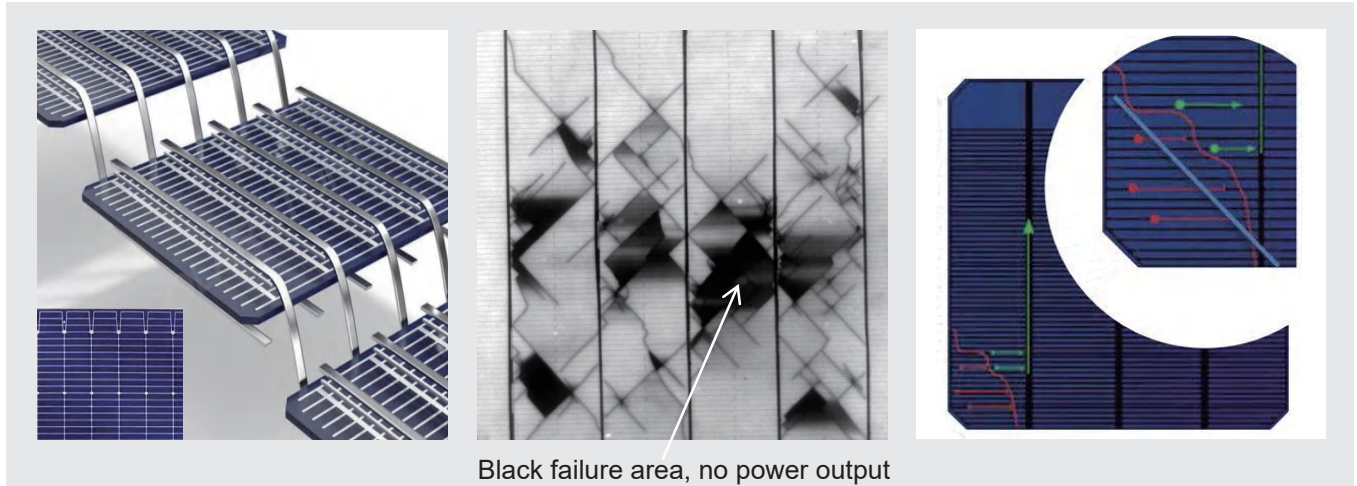
PVOUT map





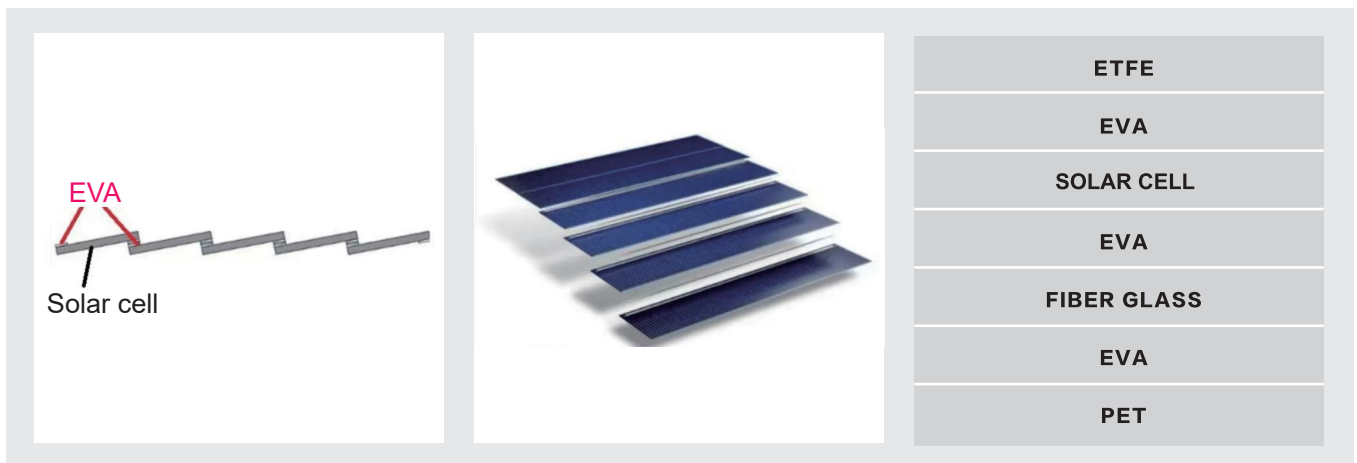
Conventional PV Ribbon Connection

The welding tape is welded to the main grid or pad on the surface of the battery to form an ohmic contact.



Tiled solar modules

Tiled modules overlap solar cells edge-to-edge in a "shingle-like" arrangement, creating a seamless and compact module structure. The cells are overlapped and connected with conductive adhesives or solder, forming a continuous electrical path.





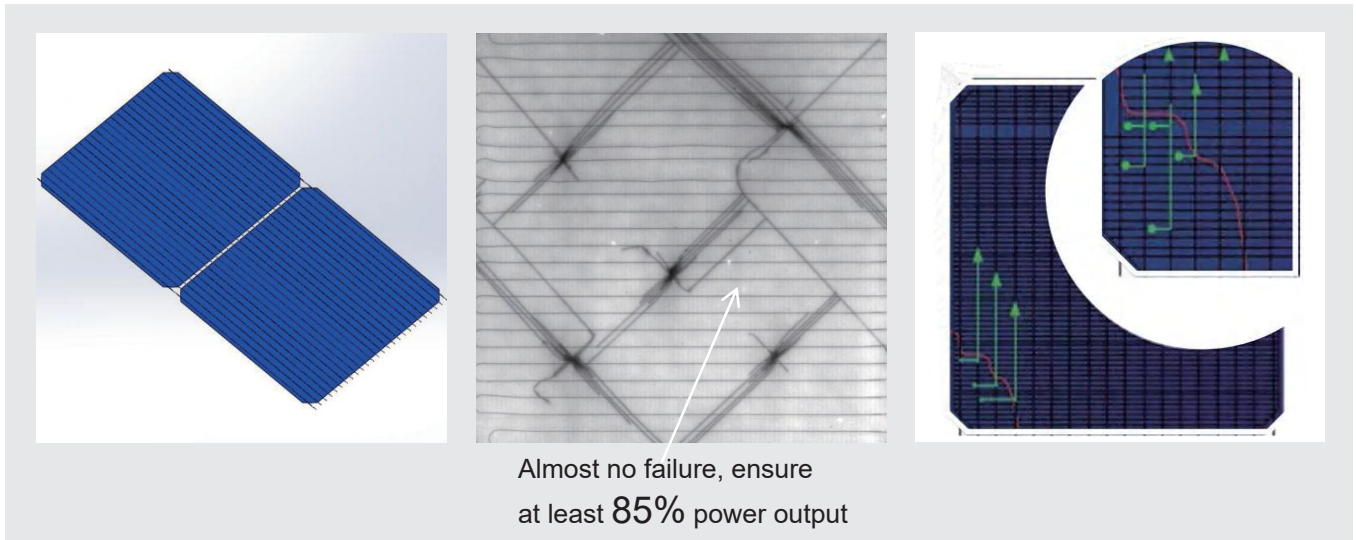
Unique Super-Wire Flexible Connection Technology

ensures an excellent ability to resist cell crack and impact force. Even under ex-treme conditions, solar cells and the panel still generate power as long as they are not destructively damaged.



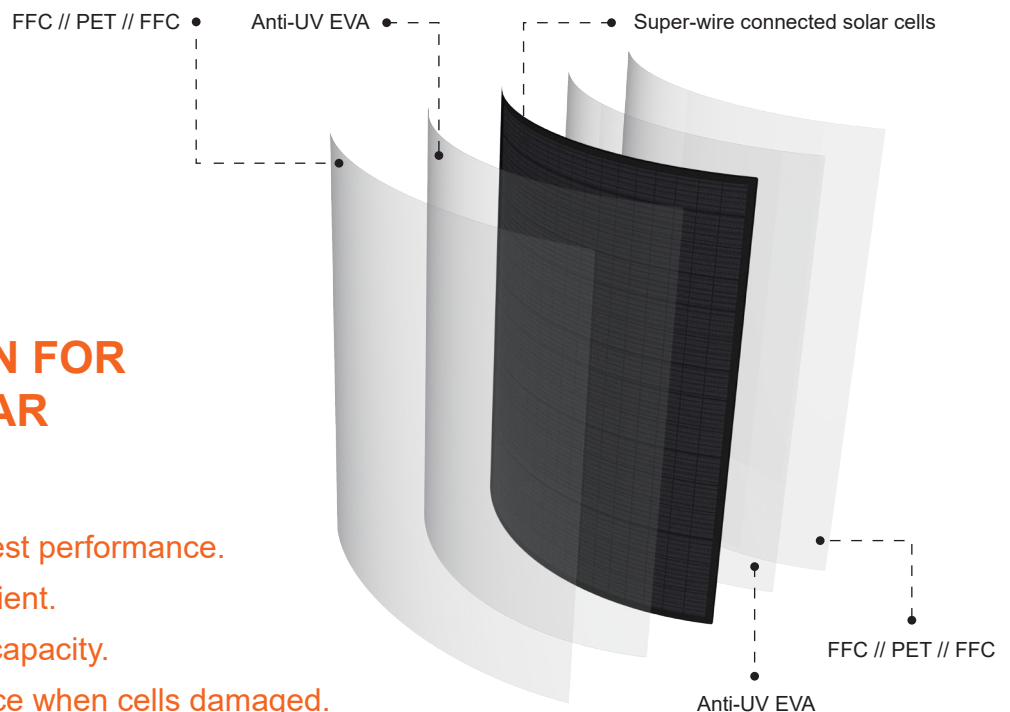
Patent No. CN 114283998B

The flexible wire and the TCO film on the battery surface form an ohmic contact.



BEST SOLUTION FOR VERTICAL SOLAR PV POLES

- Higher efficiency, and best performance.
- Low temperature coefficient.
- High power generation capacity.
- Great power maintenance when cells damaged.





LONGI



Vertical Solar Circular Module

100W 120W 160W 220W

The SolarX vertical solar module serves as a creative answer designed specifically for pole-based uses. Unlike standard solar panels, poles fitted with the modules boast remarkable visual charm. They blend smoothly into peaceful surroundings, keeping the look of traditional poles but with an added touch of elegance. This versatile product can be applied in a range of scenarios, such as solar light poles, solar camera poles, and solar traffic signs.



Circular Module (One-piece, Sleeved Type)

Specifications



Model Number	MLS-CIR220	MLS-CIR160	MLS-CIR100
Solar Cell	HJT		
Voltage/Total Power	18V/36V, 220W	18V/36V, 160W	18V, 100W
Efficiency	>24%		
Service Life	10 Years		
Diameter for Pole (MM)	φ140-219	φ140-219	φ60-140
Dimensions (MM)	φ260x1740	φ260x1370	φ170x1370
Weight	12kg	9.0kg	6.0kg



Circular Module (Two-pieces) for Retrofit Specifications



Model Number	MLS-CIR220 (Retro)	MLS-CIR160 (Retro)	MLS-CIR120 (Retro)
Solar Cell	HJT		
Voltage/Total Power	18V/36, 220W	18V/36, 160W	18V, 120W
Efficiency	>24%		
Service Life	10 Years		
Diameter for Pole (MM)	φ140-210	φ140x190	φ76x127
Dimensions (MM)	φ280x1820	φ260x1370	φ200x1370
Suitable Built-in Battery & Pole	MLB883x2sets,φ89-140 pole MLB883x2 or 4sets,φ89-101 pole	MLB883x2sets,φ89-121 pole MLB883x2 or 4sets,φ89-101 pole	
Weight	16.0kg	12.5kg	10.0kg



Vertical Solar Hexagonal Module

100W 160W 220W

The SolarX vertical solar hexagonal module functions as an innovative solution tailored specifically for pole-mounted applications. Unlike conventional solar panels, poles equipped with these modules feature impressive visual appeal. They integrate seamlessly into serene environments, retaining the appearance of traditional poles while adding a subtle touch of sophistication. This adaptable product finds use in various settings, including solar light poles, solar camera poles, and solar traffic sign poles.



Hexagonal Module (One-piece, Sleeved Type) Specifications



Model Number	MLS-HEX220	MLS-HEX160	MLS-HEX100
Solar Cell	Monocrystalline silicon		
Voltage/Total Power	18V/36V, 220W	18V/36V, 160W	18V, 100W
Efficiency	>22%		
Service Life	10 Years		
Diameter for Pole (MM)	φ140-230	φ100-165	φ100-165
Dimensions (MM) W x L	318 x 1564	228 x 1564	228 x 1024
Weight	15.0kg	10.5KG	8.5KG



Hexagonal Module (Sectional Type) for Retrofit Specifications



Model Number	MLS-HEX220 (Retro)	MLS-HEX160 (Retro)	MLS-HEX100 (Retro)
Solar Cell	Monocrystalline silicon		
Voltage/Total Power	18V/36, 220W	18V/36, 160W	18V, 100W
Efficiency	>22%		
Service Life	10 Years		
Diameter for Pole (MM)	φ140-230	φ100-152	φ100-152
Dimensions (MM) W x L	336x1570	246x1565	246x1025
Suitable Built-in Battery & Pole	MLB883x2sets,φ89-140 pole MLB883x2 or 4sets,φ89-101 pole	MLB883x2sets,φ76-101 pole	
Weight	18.0kg	13.5kg	11.5kg



Vertical Solar Octagonal Module

100W 160W 220W

The SolarX vertical solar octagonal module stands as an inventive solution engineered specifically for pole-based applications. Unlike regular solar panels, poles outfitted with these modules possess striking visual appeal. They integrate seamlessly into tranquil environments, maintaining the appearance of traditional poles while adding an extra hint of refinement. This flexible product is suitable for various scenarios, including solar light poles, solar camera poles, and solar traffic sign poles.



Octagonal Module (One-piece, Sleeved Type) Specifications



Model Number	MLS-OCT220	MLS-OCT160	MLS-OCT100
Solar Cell	Monocrystalline silicon		
Voltage/Total Power	18V/36V, 220W	18V/36V, 160W	18V, 100W
Efficiency	>22%		
Service Life	10 Years		
Diameter for Pole (MM)	φ 140-230	φ 140-230	φ 100-180
Dimensions (MM) W x L	290x1564	290x1234	239 x 994
Weight	16.5KG	11.5KG	9.5KG



Octagonal Module (Sectional Type) for Retrofit Specifications



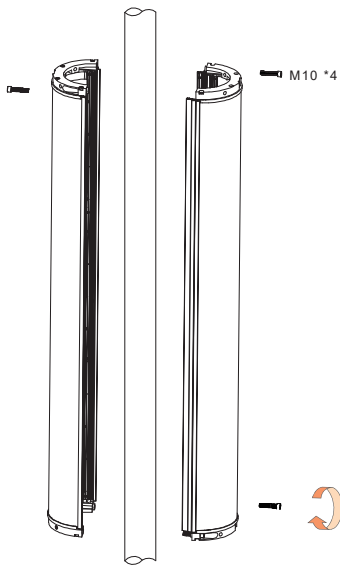
Model Number	MLS-OCT220 (Retro)	MLS-OCT160 (Retro)	MLS-OCT100 (Retro)
Solar Cell	Monocrystalline silicon		
Voltage/Total Power	18V/36, 220W	18V/36, 160W	18V, 100W
Efficiency	>22%		
Service Life	10 Years		
Diameter for Pole (MM)	φ140-230	φ140-230	φ100-194
Dimensions (MM) W x L	323x1570	322x1234	270x995
Suitable Built-in Battery & Pole	MLB883x2sets,φ89-140 pole MLB883x2 or 4sets,φ89-101 pole	MLB883x2sets,φ76-101 pole MLB883x2 or 4sets,φ76-89 pole	
Weight	19.0kg	14.5kg	12.5kg



Circular Module Installation Guide(Two-pieces Type)

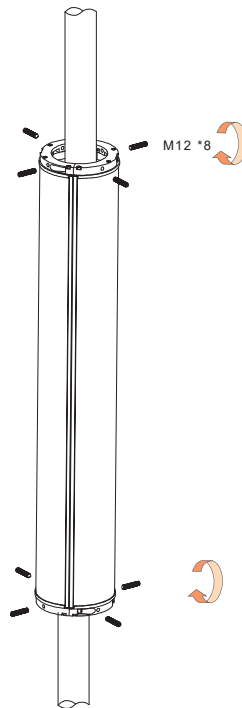
01

Attach the two semicircle solar kits to the pole by screws.



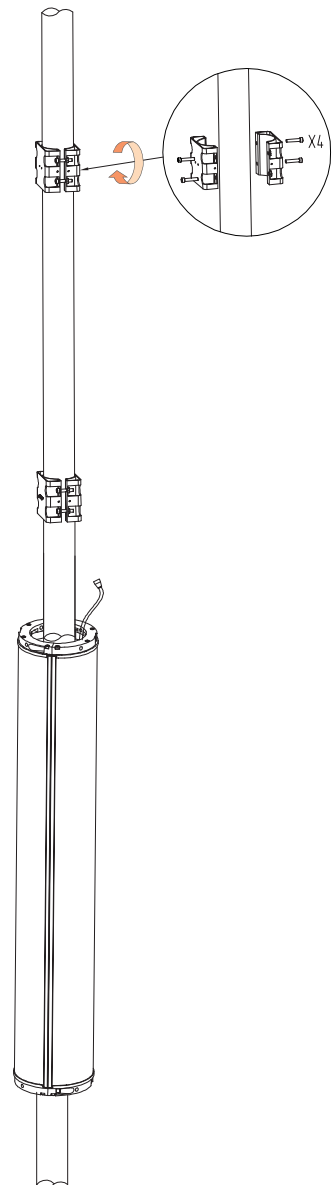
02

Fix the side fastening screws to the pole.



03

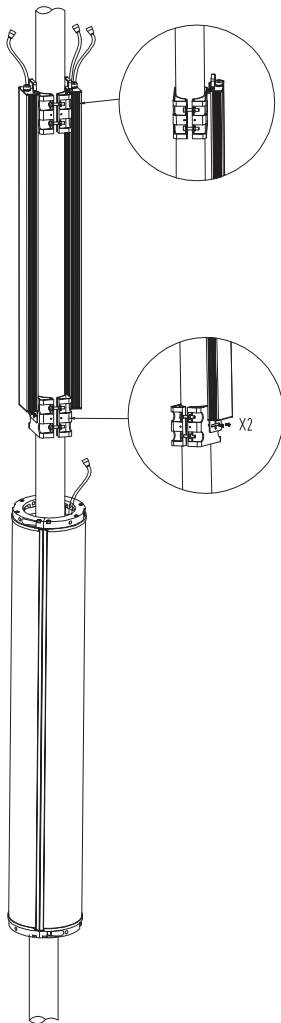
Fix the two hoops onto the pole.





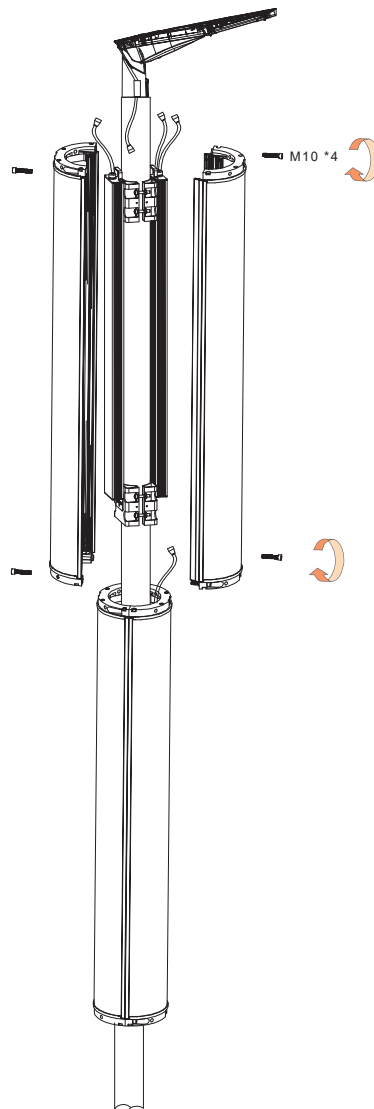
04

Attach the battery kit to the upper hoop by hanger, and fix the battery kit to the bottom hoop by screws.



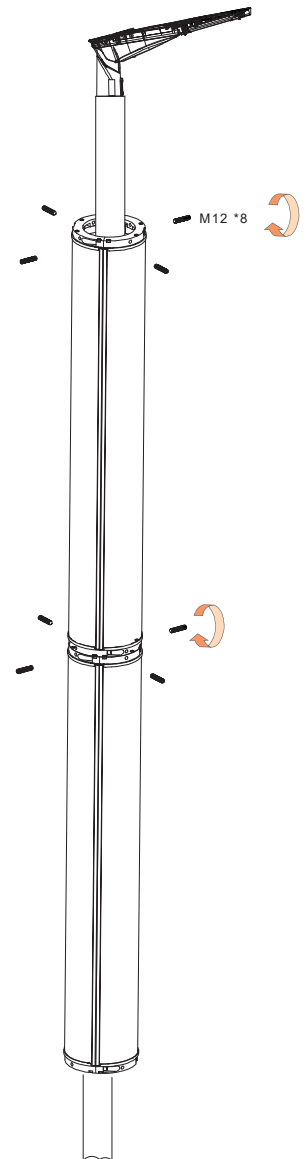
05

Install the solar panel kit to the pole according to step 1-3, and connect wires to the mains.



06

Check the six screws are firmly fixed to the hoops.

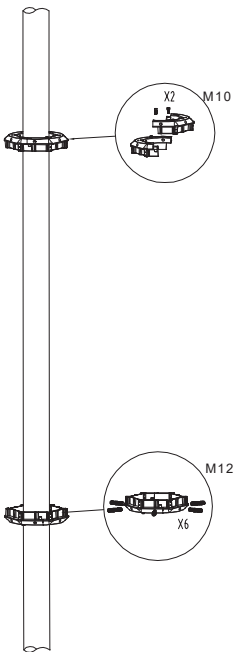




Polygonal Module Installation Guide(Sectional Type)

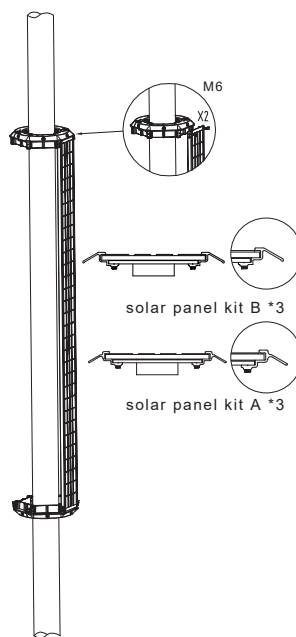
01

Fix the two hoops onto the pole by screws.



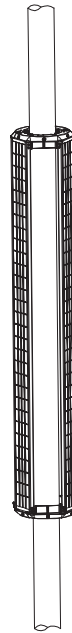
02

Install first solar panel kit A to the hoops by screws.



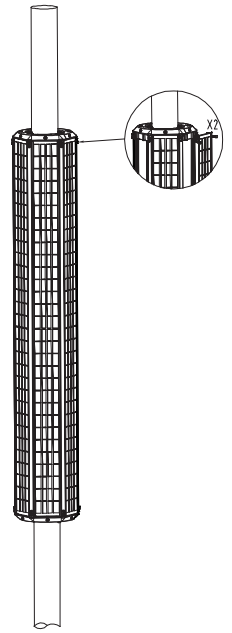
03

Install another two solar panel kit A to the hoops by screws.



04

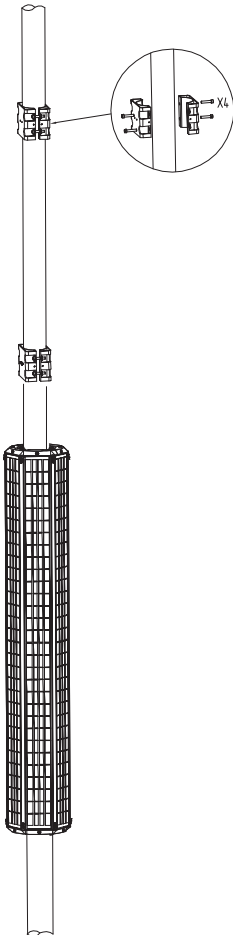
Install three solar panel kit B to the hoops.





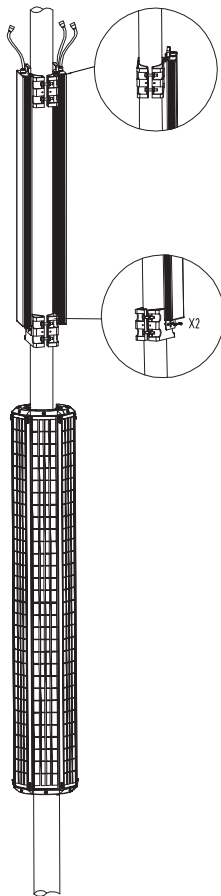
05

Fix the hoops onto the pole by screw.



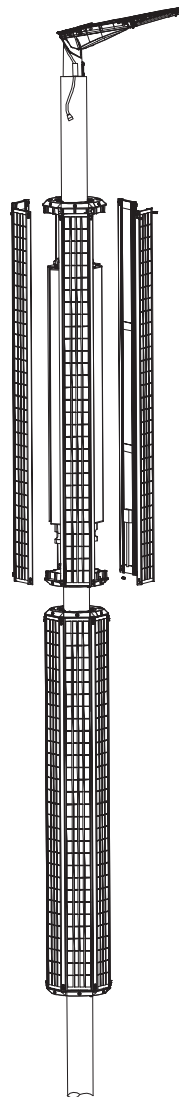
06

Attach the battery kit to the upper hoop by hanger, and fix the battery kit to the bottom hoop by screws.



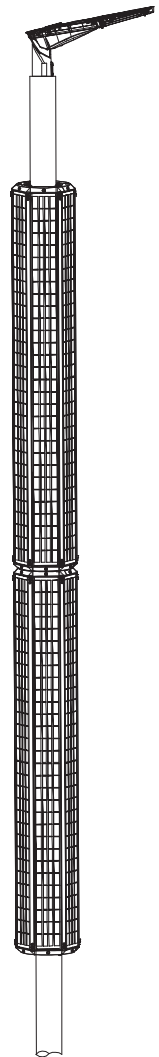
07

Install solar panel kits A/B according to steps 1-4, and connect wires to the mains.



08

Check the sie screws are firmlyfixed to the the hoops.

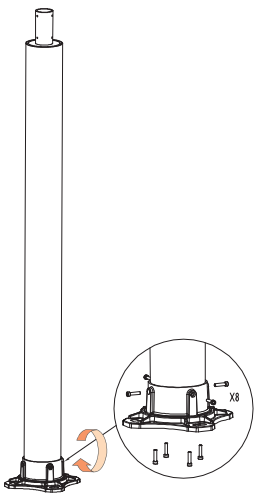




Polygonal Module Installation Guide (Sleeved Type)

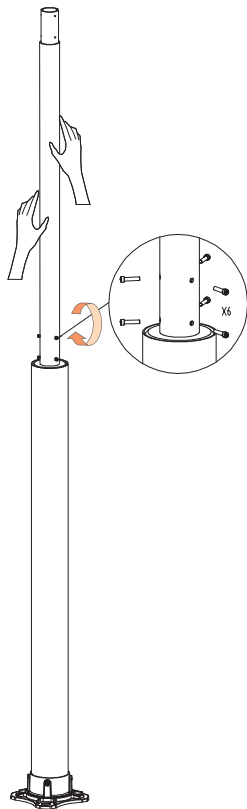
01

Install the flange base, fix the bottom and side screws firmly.



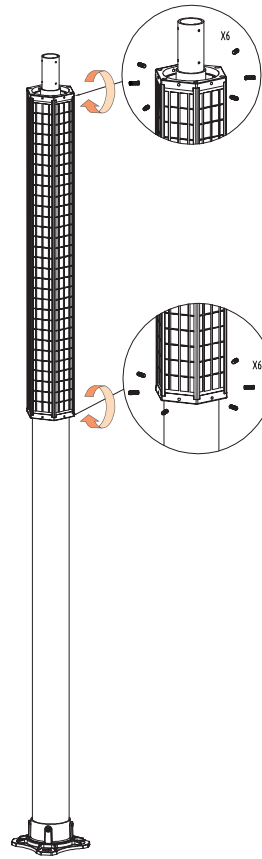
02

Install the first section tube and fix the screws.



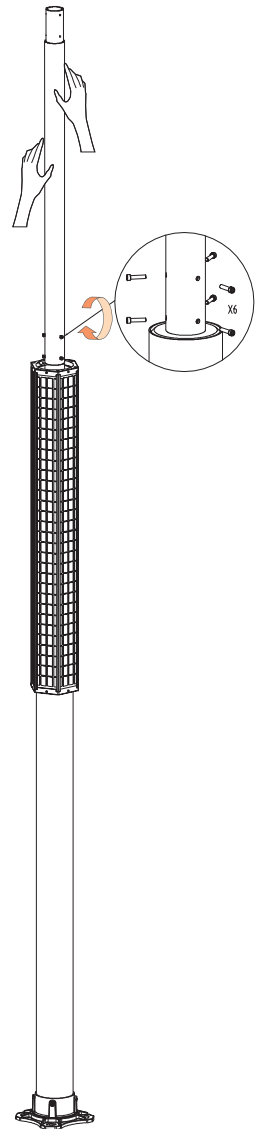
03

Insert the solar panel kit to the tube and fix the screws.



04

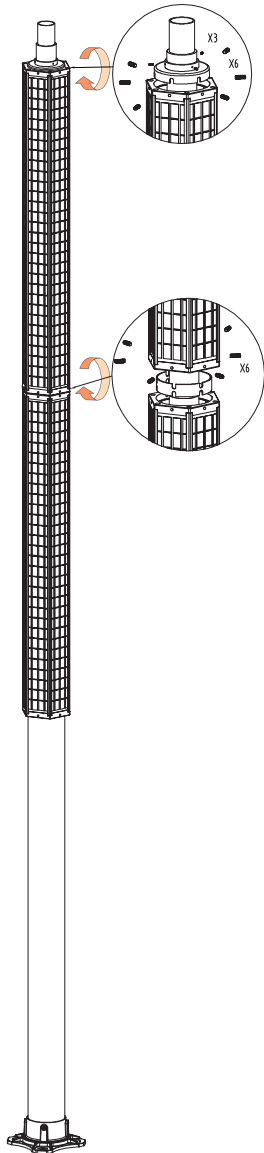
Install the second section tube and fix the screws, following step 2.





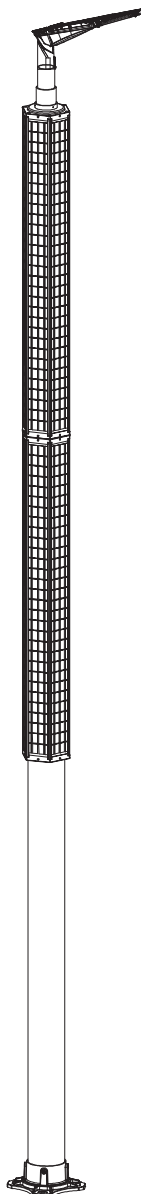
05

Insert the solar panel kit to the tube and fix the screws, following step 3. And install decorative cap



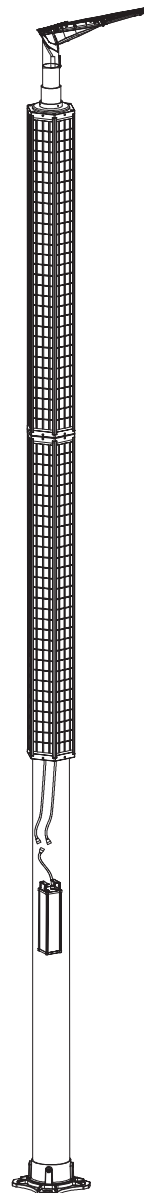
06

Install light fixture to the pole.



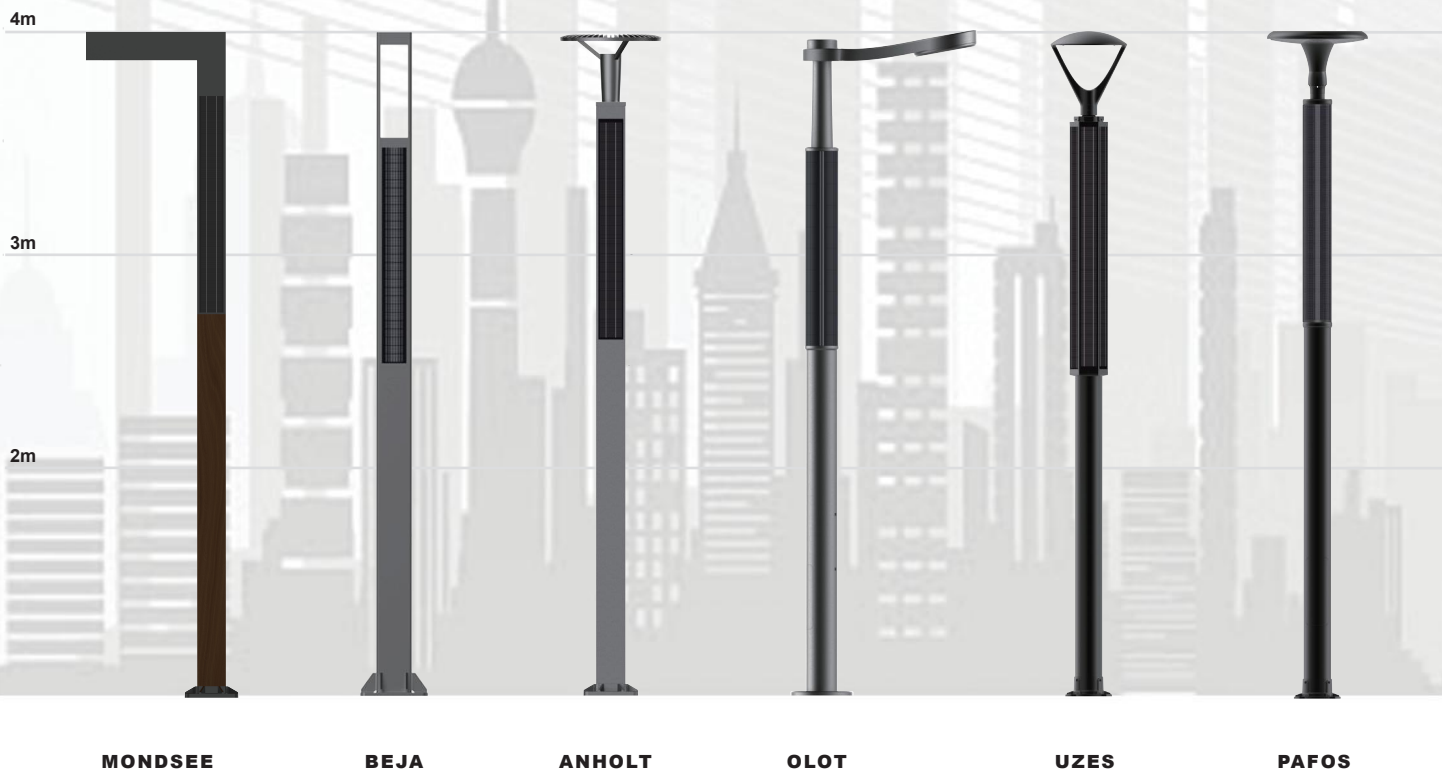
07

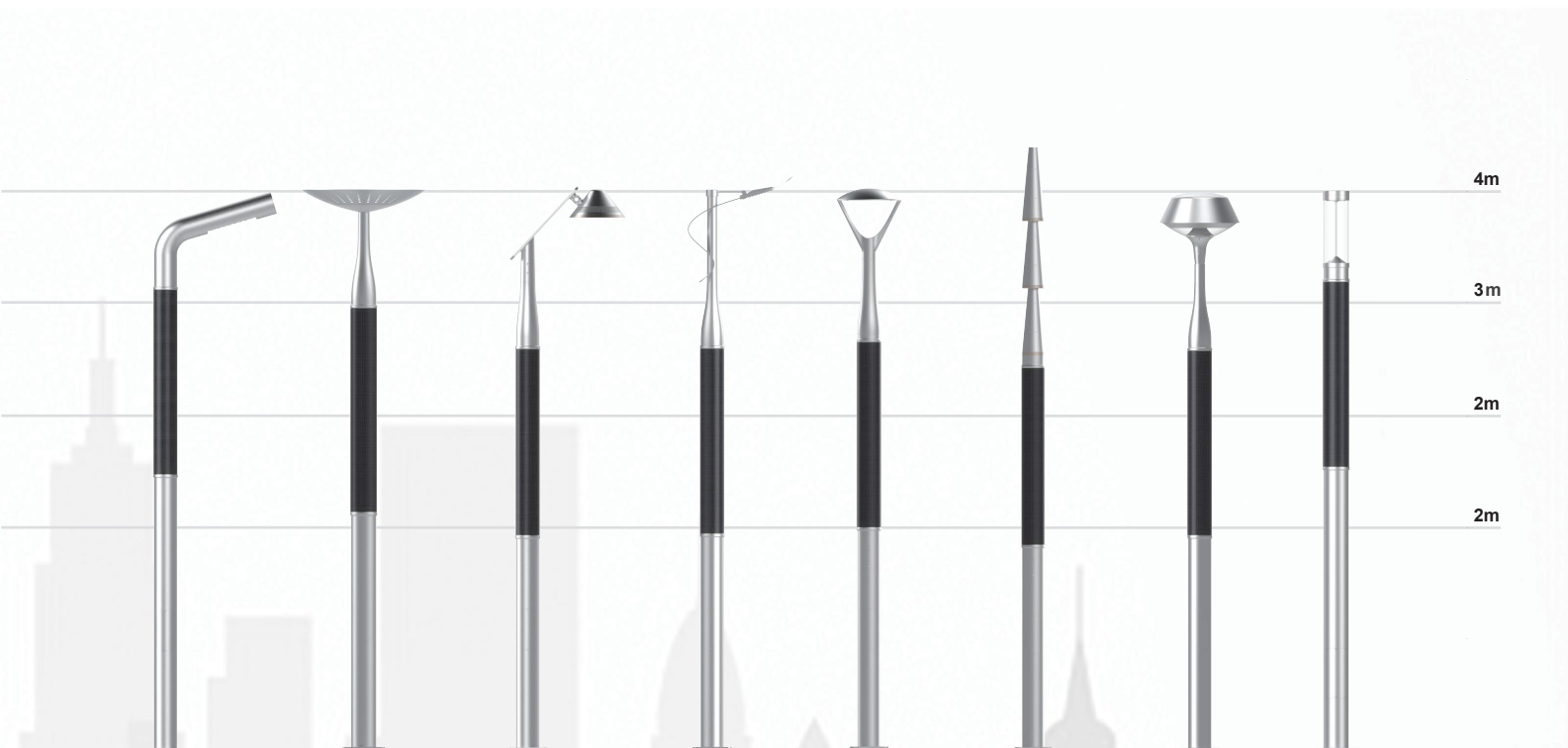
Connect wire to the mains.





Morelux Vertical Solar PV Poles Overview by Installation Height





LUGO

TABOR

MELK

ELDA

PAU

GANGI

MODICA

ABISKO



ORVIETO

RONDA

EMDEN

IONA

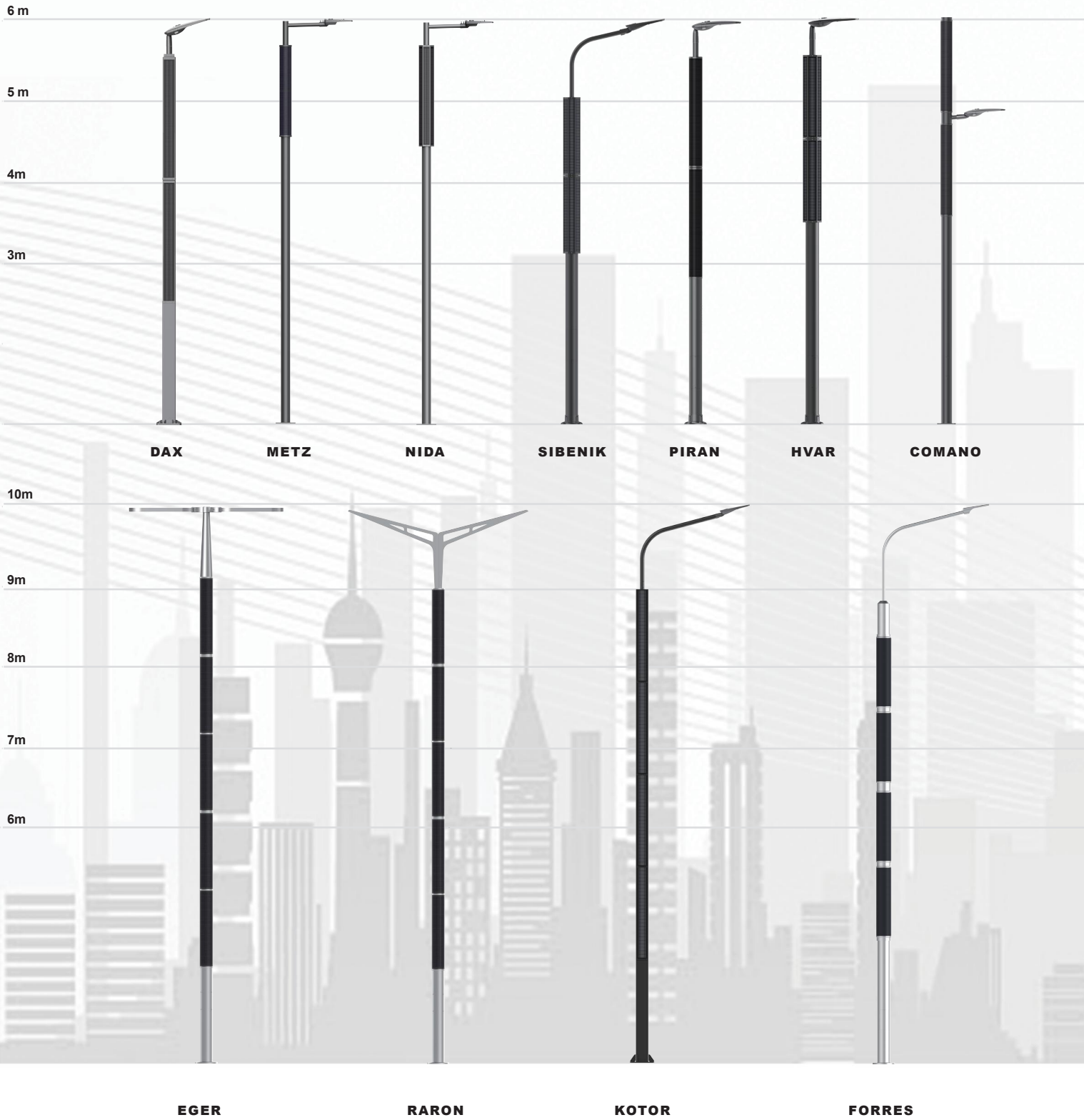
LIENZ

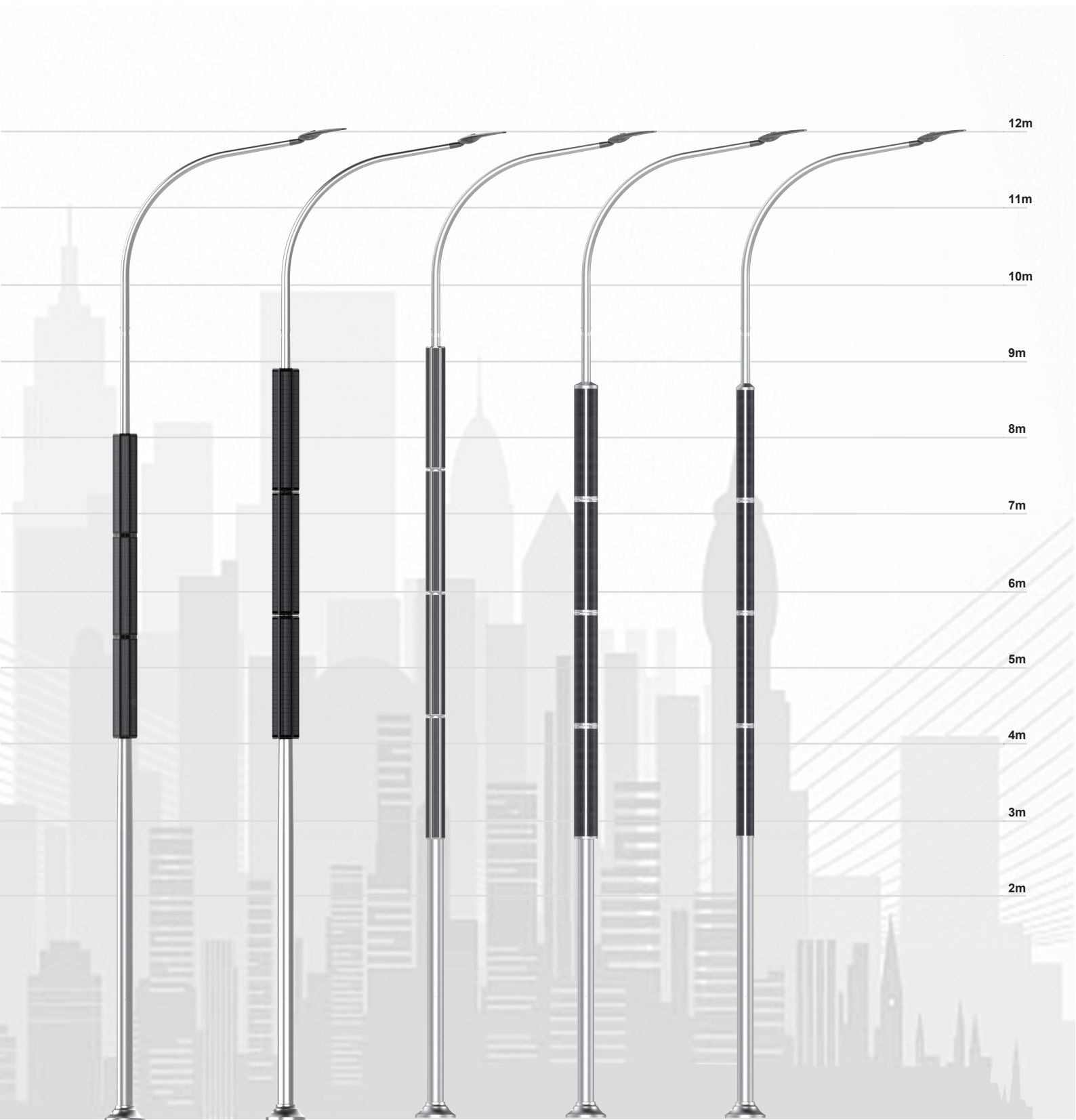
BOSA

ASSISI



Morelux Vertical Solar PV Poles Overview by Installation Height





KEMI

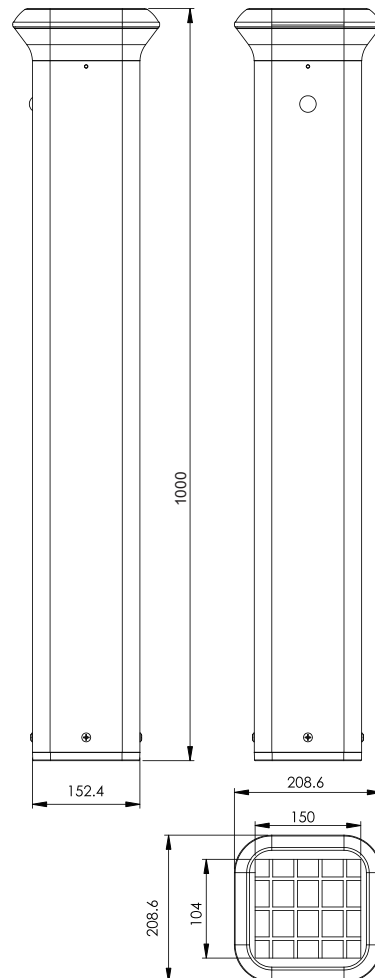
UDINE

IMOLA

IDAR

GYULA





Specifications

Total Height 1000 MM

BOLLARD

Pole Material Aluminium 6063-T6
 Surface Treatment Metal powder spraying
 Pole Dimension 152 X 152 MM
 Wall Thickness 3.2 MM
 Warranty 5 Years

LED LIGHT

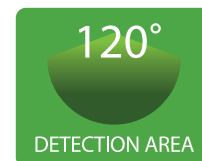
Luminaire Power 3W
 Efficacy 120LM/W
 Lumen Output 360LM
 LED Chips Lumileds 3030
 Colour Temperature 3000K/4000K/5000K
 Ingress Protection Rate IP65
 LED Lifespan 50,000Hrs
 Light Distribution 120°
 Operating Temperature -30~50C
 Warranty 5 Years

SOLAR MODULE

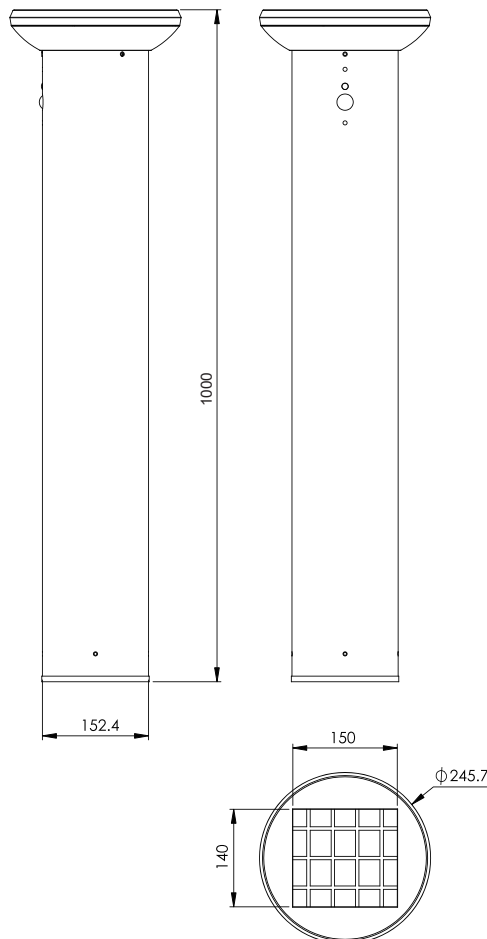
Module Qty 1 Module
 Technology Monocrystalline silicon
 Power 5V, 2.8W
 Efficiency >22%
 Dimensions 140 x 150MM
 Warranty 10 Years

BATTERY

Type NCM Lithium Battery
 Capacity 3.7V, 4Ah
 Cycle Life 500 Times @100% DOD
 Charging Time 8 Hrs
 Discharging Time 30Sec: 600 Times Activated
 60Sec: 300 Times Activated
 >3 Days @200 Times Activated Per Day







Specifications

Total Height 1000 MM

BOLLARD

Pole Material Aluminium 6063-T6
 Surface Treatment Metal powder spraying
 Pole Diameter ϕ 152 MM
 Wall Thickness 3.2 MM
 Warranty 5 Years

LED LIGHT

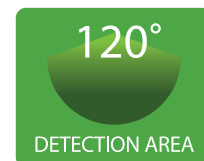
Luminaire Power 3W
 Efficacy 120LM/W
 Lumen Output 360LM
 LED Chips Lumileds 3030
 Colour Temperature 3000K/4000K/5000K
 Ingress Protection Rate IP65
 LED Lifespan 50,000Hrs
 Light Distribution 120°
 Operating Temperature -30~50C
 Warranty 5 Years

SOLAR MODULE

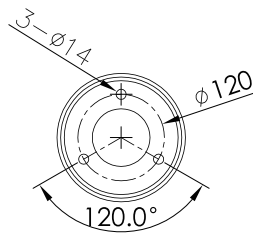
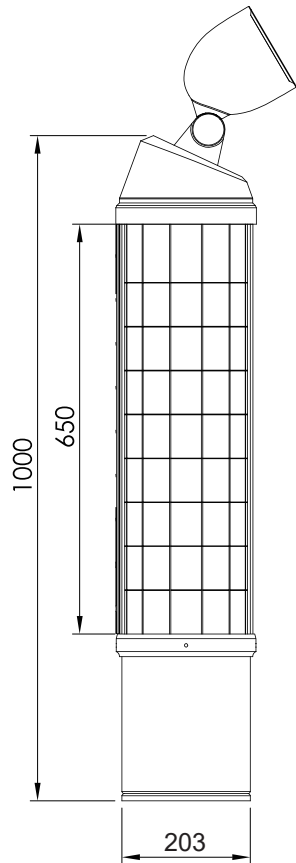
Module Qty 1 Module
 Technology Monocrystalline silicon
 Power 5V, 2.8W
 Efficiency >22%
 Dimensions 140 x 150MM
 Warranty 10 Years

BATTERY

Type NCM Lithium Battery
 Capacity 3.7V, 4Ah
 Cycle Life 500 Times @100% DOD
 Charging Time 8 Hrs
 Discharging Time 30Sec: 600 Times Activated
 60Sec: 300 Times Activated
 >3 Days @200 Times Activated Per Day







BASE PLATE

AVAILABLE HEADS



Specifications

Total Height 1000 MM

BOLLARD

Pole Material Aluminium 6063-T6
 Surface Treatment Metal powder spraying
 Pole Diameter $\phi 203$ MM
 Wall Thickness 4.8 MM
 Warranty 5 Years

LED LIGHT

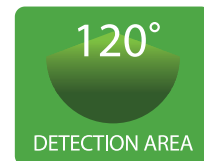
Luminaire Power 10W
 Efficacy 120LM/W
 Lumen Output 1200LM
 LED Chips Lumileds 3030
 Colour Temperature 3000K/4000K/5000K
 Ingress Protection Rate IP65
 LED Lifespan 50,000Hrs
 Light Distribution 120°
 Operating Temperature -30~50C
 Warranty 5 Years

SOLAR MODULE

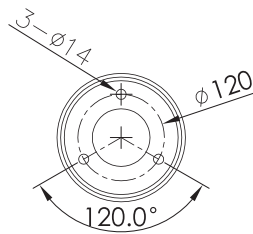
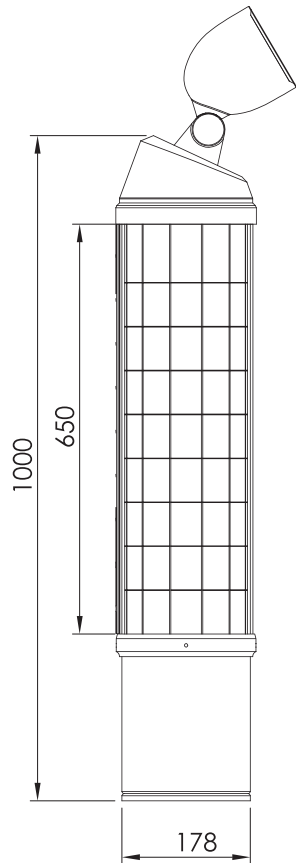
Module Qty 1 Module
 Technology Flexible HJT
 Power 5V, 58W
 Efficiency >24%
 Dimensions $\phi 203 \times 650$ MM
 Warranty 10 Years

BATTERY

Type NCM Lithium Battery
 Capacity 3.7V, 8Ah*4pcs
 Cycle Life 500 Times @100% DOD
 Charging Time 10 Hrs
 Discharging Time 30Sec: 2400 Times Activated
 60Sec: 1200 Times Activated
 >5 Days @200 Times Activated Per Day







BASE PLATE

AVAILABLE HEADS



Specifications

Total Height 1000 MM

BOLLARD

Pole Material Aluminium 6063-T6
 Surface Treatment Metal powder spraying
 Pole Diameter $\phi 178$ MM
 Wall Thickness 4 MM
 Warranty 5 Years

LED LIGHT

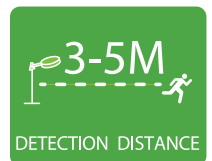
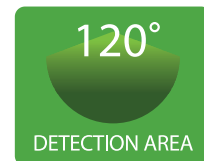
Luminaire Power 10W
 Efficacy 120LM/W
 Lumen Output 1200LM
 LED Chips Lumileds 3030
 Colour Temperature 3000K/4000K/5000K
 Ingress Protection Rate IP65
 LED Lifespan 50,000Hrs
 Light Distribution 120°
 Operating Temperature -30~50C
 Warranty 5 Years

SOLAR MODULE

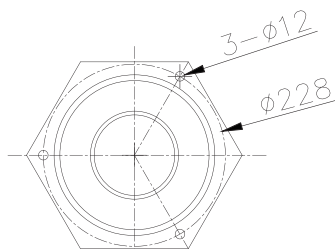
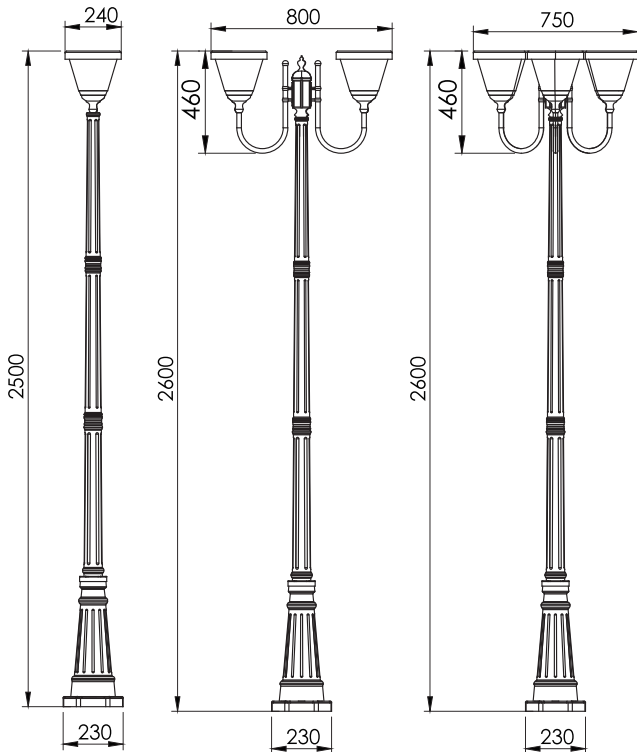
Module Qty 1 Module
 Technology Flexible HJT
 Power 5V, 58W
 Efficiency >24%
 Dimensions $\phi 178 \times 650$ MM
 Warranty 10 Years

BATTERY

Type NCM Lithium Battery
 Capacity 3.7V, 8Ah*4pcs
 Cycle Life 500 Times @100% DOD
 Charging Time 10 Hrs
 Discharging Time 30Sec: 2400 Times Activated
 60Sec: 1200 Times Activated
 >5 Days @200 Times Activated Per Day







Specifications

Total Height 2600 MM

POLE

Pole Material Aluminium
 Surface Treatment Metal powder spraying
 Warranty 10 Years

LED LIGHT

Luminaire Power 3W x 1
 Efficacy 100LM/W
 Lumen Output 300LM x 1
 LED Chips Lumileds 3030
 Colour Temperature 3000K/4000K/5000K
 Ingress Protection Rate IP65
 LED Lifespan 50,000Hrs
 Light Distribution 120°
 Operating Temperature -30~50C
 Warranty 5 Years

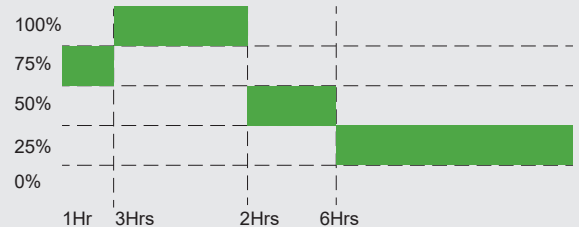
SOLAR MODULE

Module Qty 1 Module x 1
 Technology Monocrystalline silicon
 Power 5V, 4.5W x 1
 Efficiency > 22%
 Dimensions 205 x 195MM
 Warranty 10 Years

BATTERY

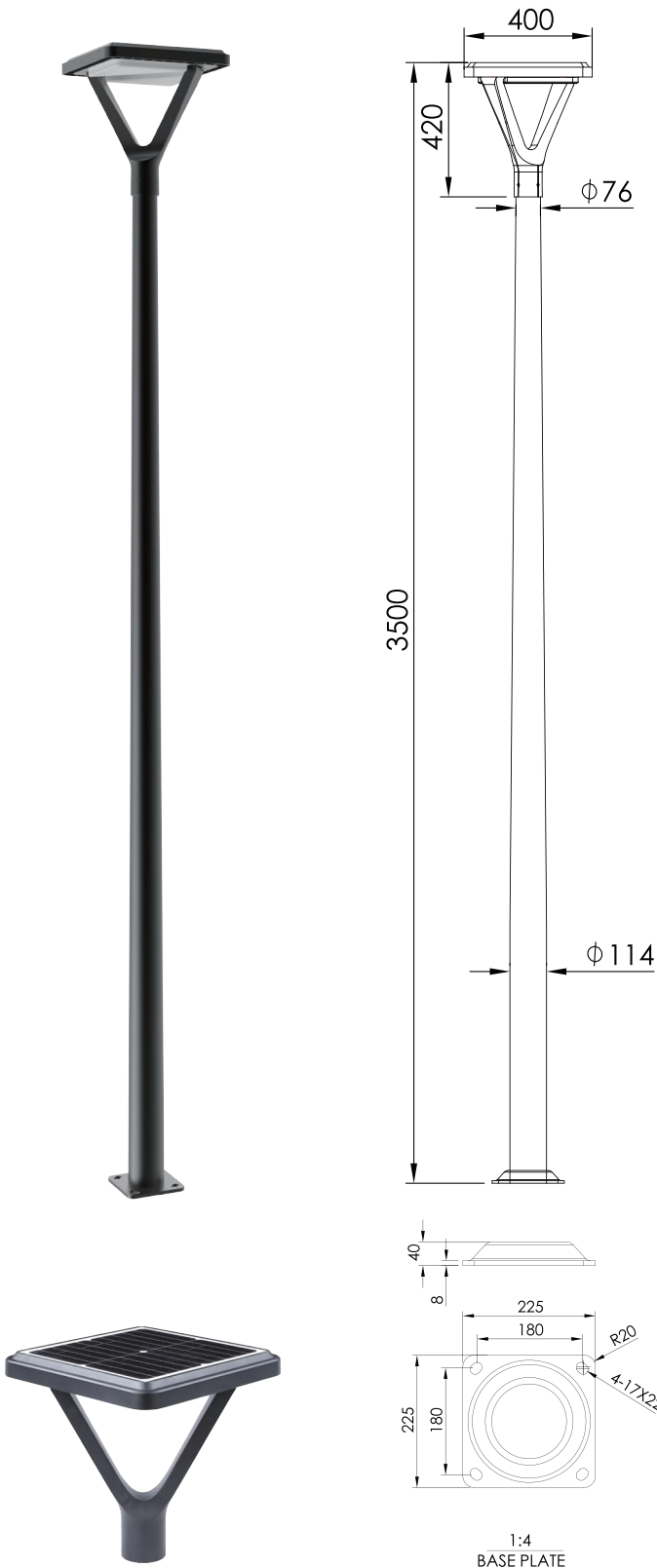
Type LiFePO4
 Capacity 3.2V, 8Ah x 1
 Cycle Life 2000 Times
 Charging Time Continuous 2 Sunny Days
 (Average 4Hrs Per Day)
 Discharging Time Continuous 3 Cloudy Days
 (Average 3Hrs Per Day)

WORKING MODE



Note: Working modes can be customized based on local environment.





Specifications

Total Height 3500 MM

POLE

Pole Material Aluminium 6063-T6
 Surface Treatment Metal powder spraying
 Pole Diameter $\phi 76$ -114 MM (Top-Bottom)
 Wall Thickness 3 MM
 Warranty 10 Years

LED LIGHT

Luminaire Power 7W
 Efficacy 150 LM/W
 Lumen Output 1050 LM
 LED Chips Lumileds 3030
 Colour Temperature 3000K/4000K/5000K
 Ingress Protection Rate IP65
 LED Lifespan 50,000Hrs
 Light Distribution 120°
 Operating Temperature -30~50C
 Warranty 5 Years

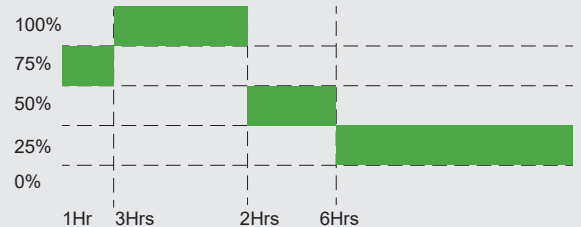
SOLAR MODULE

Module Qty 1 Module
 Technology Monocrystalline silicon
 Power 5V, 20 W
 Efficiency >22%
 Dimensions 340 x 340MM
 Warranty 10 Years

BATTERY

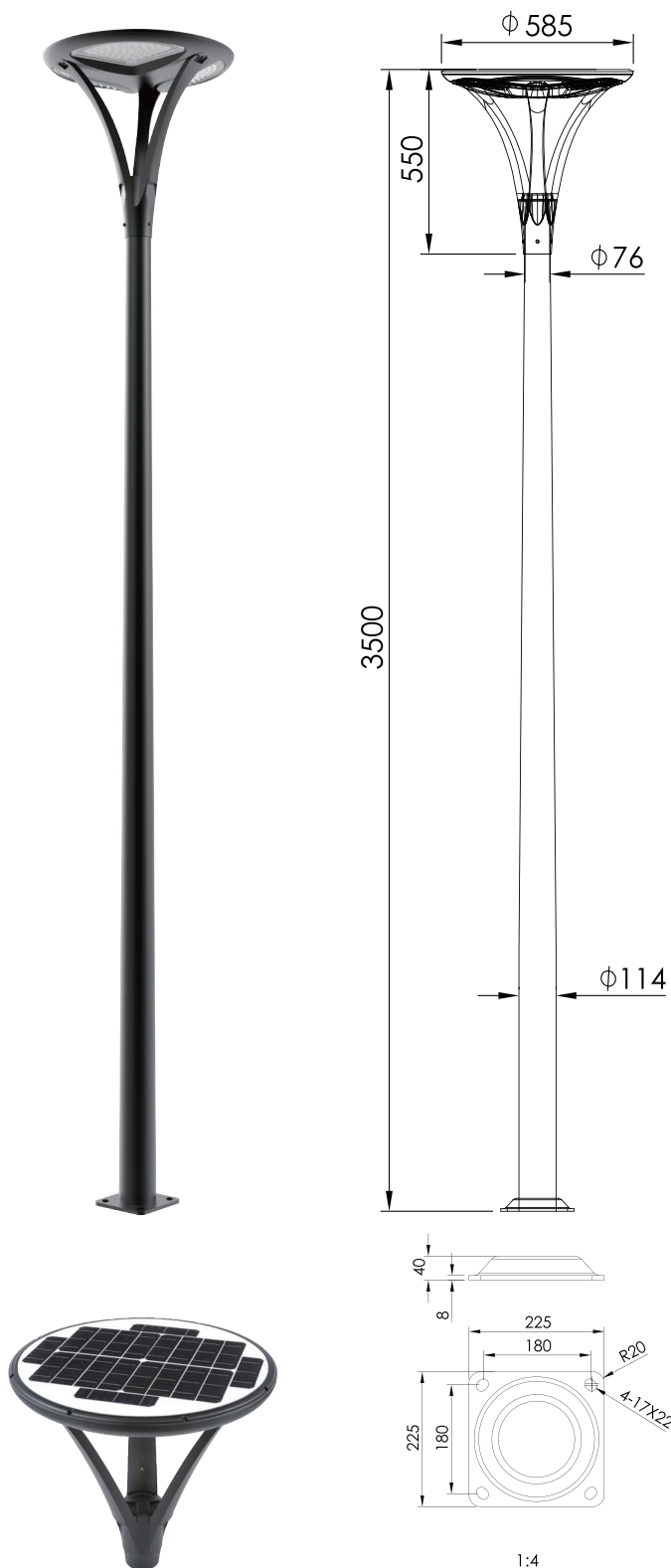
Type LiFePO4
 Capacity 3.2V, 20Ah
 Cycle Life 2000 Times
 Charging Time Continuous 2 Sunny Days
 (Average 6Hrs Per Day)
 Discharging Time Continuous 3 Cloudy Days
 (Average 12Hrs Per Day)

WORKING MODE



Note: Working modes can be customized based on local environment.





Specifications

Total Height 3500 MM

POLE

Pole Material Aluminium 6063-T6
 Surface Treatment Metal powder spraying
 Pole Diameter $\phi 76$ -114 MM (Top-Bottom)
 Wall Thickness 3 MM
 Warranty 10 Years

LED LIGHT

Luminaire Power 18W
 Efficacy 150 LM/W
 Lumen Output 2700 LM
 LED Chips Lumileds 3030
 Colour Temperature 3000K/4000K/5000K
 Ingress Protection Rate IP65
 LED Lifespan 50,000Hrs
 Light Distribution 120°
 Operating Temperature -30~50C
 Warranty 5 Years

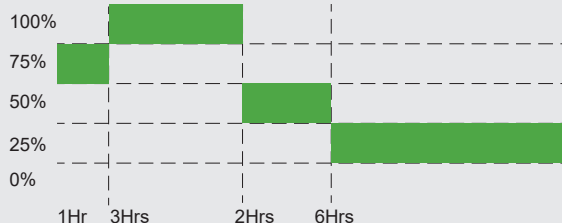
SOLAR MODULE

Module Qty 1 Module
 Technology Monocrystalline silicon
 Power 5V, 20 W
 Efficiency >22%
 Dimensions $\phi 550$ MM
 Warranty 10 Years

BATTERY

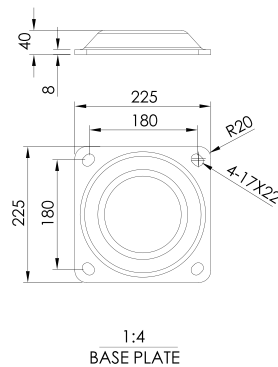
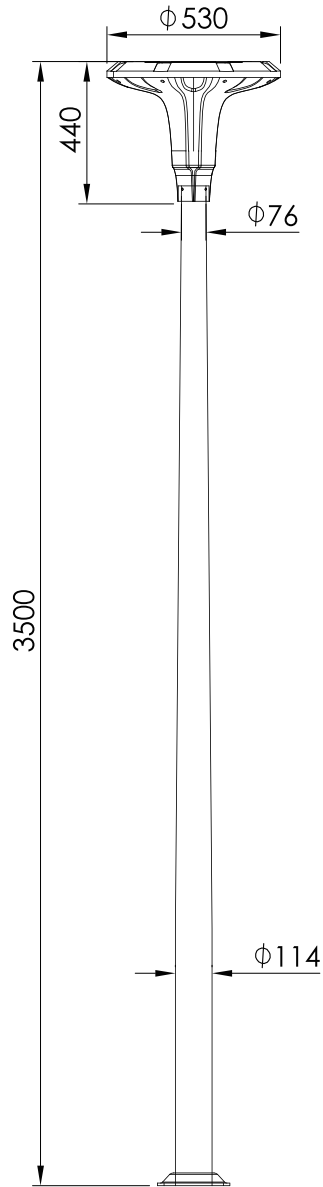
Type LiFePO4
 Capacity 3.2V, 45Ah
 Cycle Life 2000 Times
 Charging Time Continuous 2 Sunny Days (Average 6Hrs Per Day)
 Discharging Time Continuous 3 Cloudy Days (Average 12Hrs Per Day)

WORKING MODE



Note: Working modes can be customized based on local environment.





Specifications

Total Height 3500 MM

POLE

Pole Material Aluminium 6063-T6
 Surface Treatment Metal powder spraying
 Pole Diameter $\phi 76$ -114 MM (Top-Bottom)
 Wall Thickness 3 MM
 Warranty 10 Years

LED LIGHT

Luminaire Power 9W
 Efficacy 150 LM/W
 Lumen Output 1350 LM
 LED Chips Lumileds 3030
 Colour Temperature 3000K/4000K/5000K
 Ingress Protection Rate IP65
 LED Lifespan 50,000Hrs
 Light Distribution 120°
 Operating Temperature -30~50C
 Warranty 5 Years

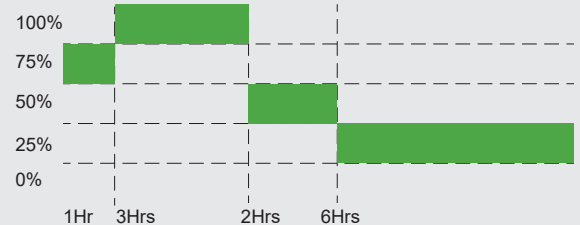
SOLAR MODULE

Module Qty 1 Module
 Technology Monocrystalline silicon
 Power 5V, 25W
 Efficiency >22%
 Dimensions $\phi 450$ MM
 Warranty 10 Years

BATTERY

Type LiFePO4
 Capacity 3.2V, 30Ah
 Cycle Life 2000 Times
 Charging Time Continuous 2 Sunny Days (Average 6Hrs Per Day)
 Discharging Time Continuous 3 Cloudy Days (Average 12Hrs Per Day)

WORKING MODE

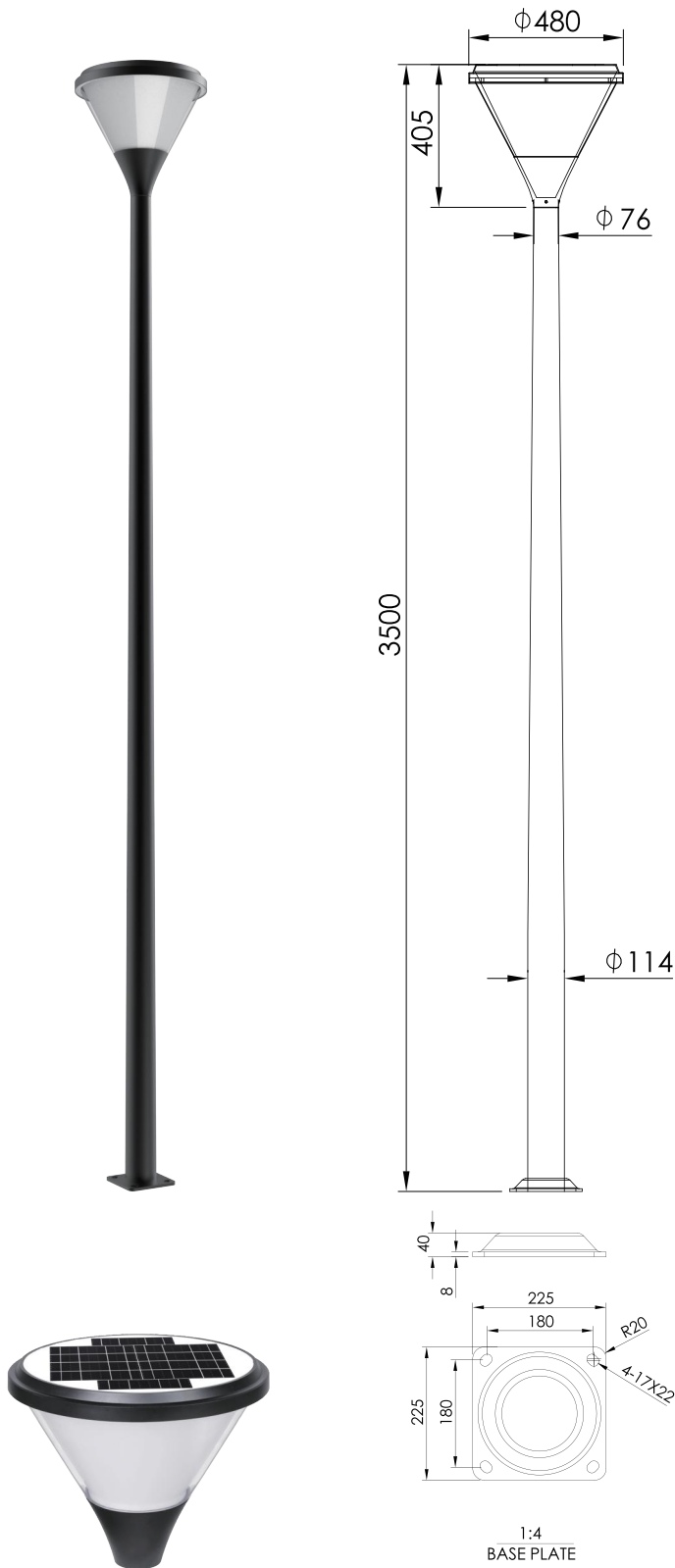


Note: Working modes can be customized based on local environment.



SORT

SOLAR GARDEN LIGHT



Specifications

Total Height 3500 MM

POLE

Pole Material Aluminium 6063-T6
 Surface Treatment Metal powder spraying
 Pole Diameter ϕ 76-114 MM (Top-Bottom)
 Wall Thickness 3 MM
 Warranty 10 Years

LED LIGHT

Luminaire Power 7W
 Efficacy 150 LM/W
 Lumen Output 1050 LM
 LED Chips Lumileds 3030
 Colour Temperature 3000K/4000K/5000K
 Ingress Protection Rate IP65
 LED Lifespan 50,000Hrs
 Light Distribution 120°
 Operating Temperature -30~50C
 Warranty 5 Years

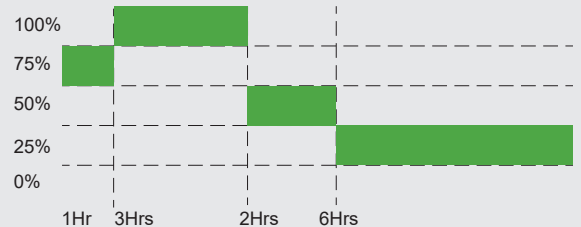
SOLAR MODULE

Module Qty 1 Module
 Technology Monocrystalline silicon
 Power 5V, 20 W
 Efficiency >22%
 Dimensions ϕ 400 MM
 Warranty 10 Years

BATTERY

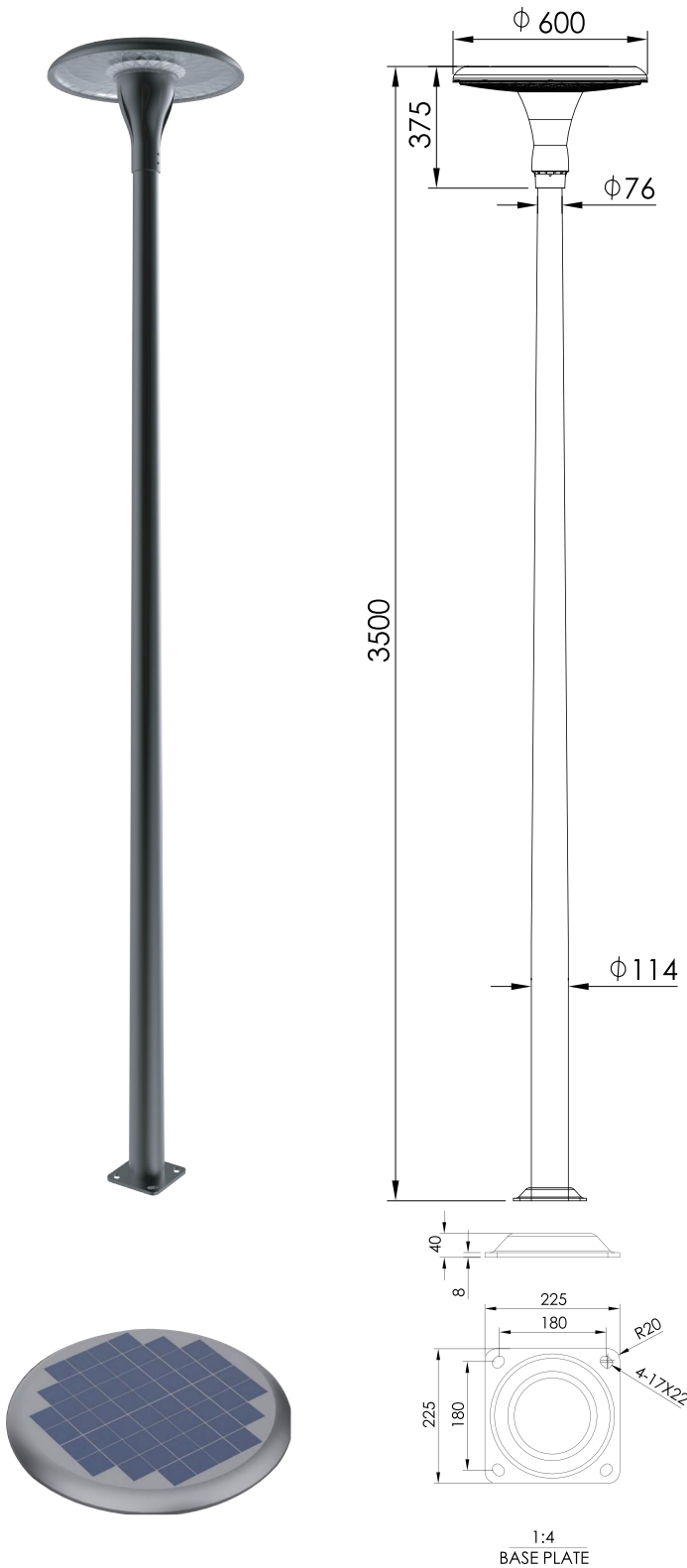
Type LiFePO4
 Capacity 3.2V, 20Ah
 Cycle Life 2000 Times
 Charging Time Continuous 2 Sunny Days
 (Average 6Hrs Per Day)
 Discharging Time Continuous 3 Cloudy Days
 (Average 12Hrs Per Day)

WORKING MODE



Note: Working modes can be customized based on local environment.





Specifications

Total Height 3500 MM

POLE

Pole Material Aluminium 6063-T6
 Surface Treatment Metal powder spraying
 Pole Diameter $\phi 76$ -114 MM (Top-Bottom)
 Wall Thickness 3 MM
 Warranty 10 Years

LED LIGHT

Luminaire Power 5W
 Efficacy 160 LM/W
 Lumen Output 800LM
 LED Chips Lumileds 3030
 Colour Temperature 3000K/4000K/5000K
 Ingress Protection Rate IP65
 LED Lifespan 50,000Hrs
 Light Distribution 120°
 Operating Temperature -30~50C
 Warranty 5 Years

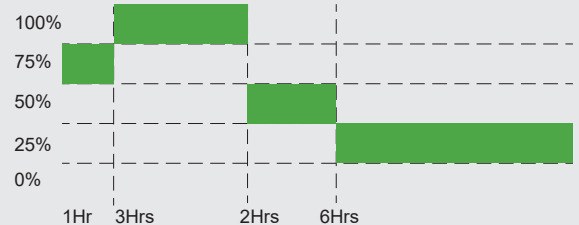
SOLAR MODULE

Module Qty 1 Module
 Technology Monocrystalline silicon
 Power 6V, 25W
 Efficiency >22%
 Dimensions $\phi 400$ MM
 Warranty 10 Years

BATTERY

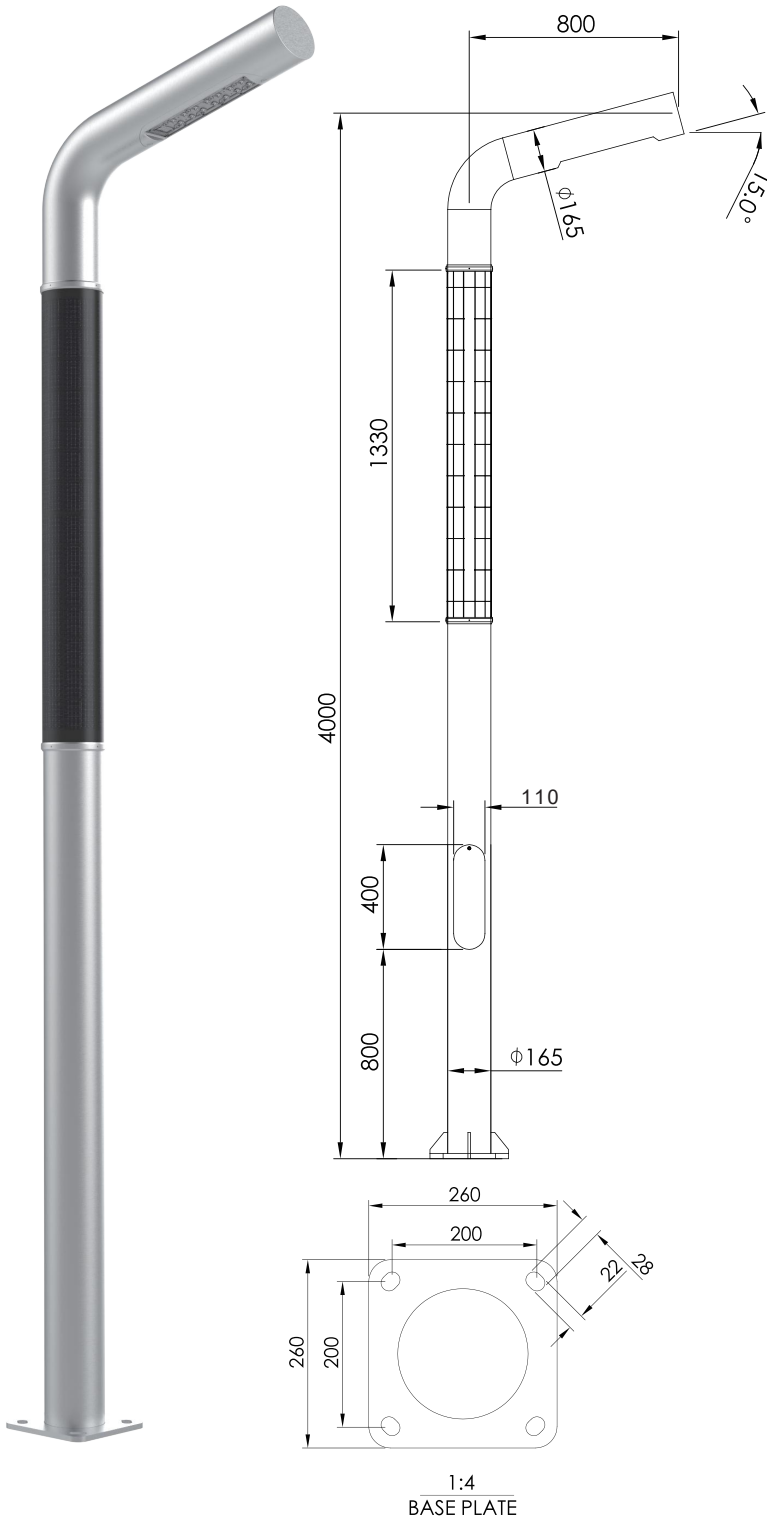
Type LiFePO4
 Capacity 3.2V, 30Ah
 Cycle Life 2000 Times
 Charging Time Continuous 2 Sunny Days
 (Average 6Hrs Per Day)
 Discharging Time Continuous 3 Cloudy Days
 (Average 12Hrs Per Day)

WORKING MODE



Note: Working modes can be customized based on local environment.





Specifications

Total Height 4000 MM

POLE

Pole Material Aluminium 6063-T6
 Surface Treatment Metal powder spraying
 Pole Diameter $\phi 165$ MM
 Wall Thickness 3.5 MM
 Warranty 10 Years

LED LIGHT

Luminaire Power 20W
 Efficacy 180LM/W
 Lumen Output 3600LM
 LED Chips Lumileds 3030
 Colour Temperature 3000K/4000K/5000K
 Ingress Protection Rate IP65
 LED Lifespan 50,000Hrs
 Light Distribution T2, T3, T4, T5
 Operating Temperature -30~50C
 Warranty 5 Years

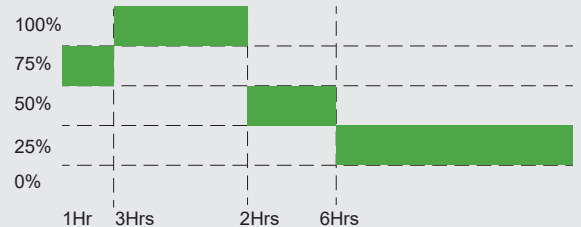
SOLAR MODULE

Module Qty 1 Module
 Module Type Built-in
 Technology Flexible HJT
 Power 18V, 100W
 Efficiency >24%
 Dimensions $\phi 165 \times 1330$ MM
 Warranty 10 Years

BATTERY

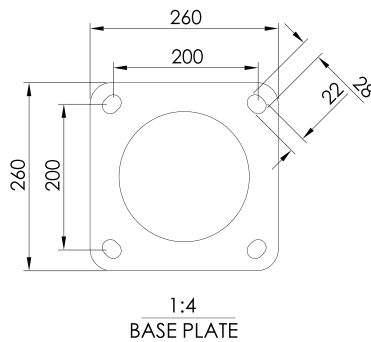
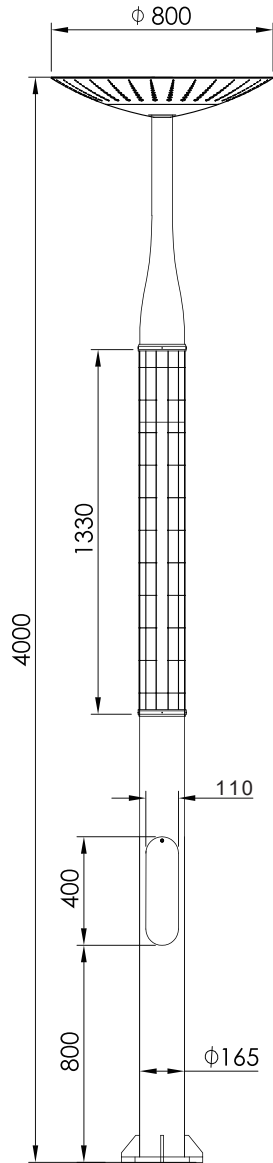
Type LiFePO4
 Capacity 12.8V, 30Ah
 Cycle Life 2000 Times
 Charging Time Continuous 2 Sunny Days (Average 6Hrs Per Day)
 Discharging Time Continuous 3 Cloudy Days (Average 12Hrs Per Day)

WORKING MODE



Note: Working modes can be customized based on local environment.





Specifications

Total Height 4000 MM

POLE

Pole Material Aluminium 6063-T6
 Surface Treatment Metal powder spraying
 Pole Diameter ϕ 165 MM
 Wall Thickness 3.5 MM
 Warranty 10 Years

LED LIGHT

Luminaire Power 20W
 Efficacy 120LM/W
 Lumen Output 2400LM
 LED Chips Lumileds 3030
 Colour Temperature 3000K/4000K/5000K
 Ingress Protection Rate IP65
 LED Lifespan 50,000Hrs
 Light Distribution 120°
 Operating Temperature -30~50C
 Warranty 5 Years

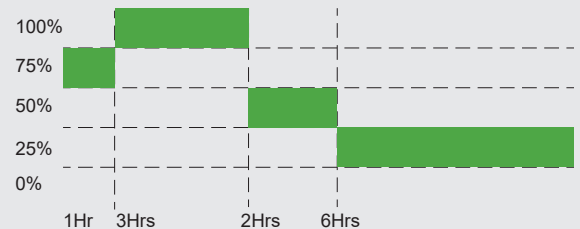
SOLAR MODULE

Module Qty 1 Module
 Module Type Built-in
 Technology Flexible HJT
 Power 18V, 100W
 Efficiency >24%
 Dimensions ϕ 165x1330 MM
 Warranty 10 Years

BATTERY

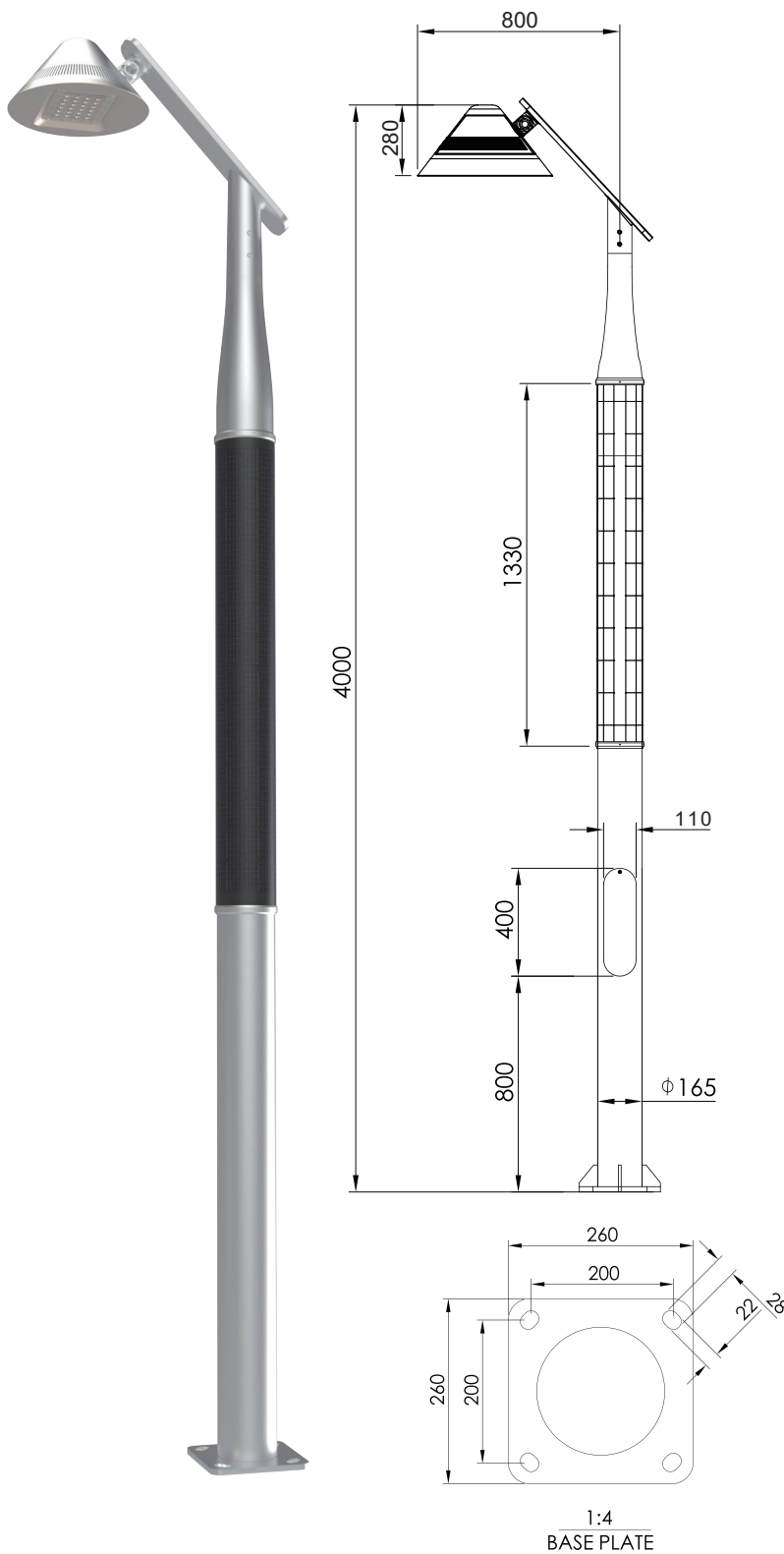
Type LiFePO4
 Capacity 12.8V, 30Ah
 Cycle Life 2000 Times
 Charging Time Continuous 2 Sunny Days (Average 6Hrs Per Day)
 Discharging Time Continuous 3 Cloudy Days (Average 12Hrs Per Day)

WORKING MODE



Note: Working modes can be customized based on local environment.





Specifications

Total Height 4000 MM

POLE

Pole Material Aluminium 6063-T6
 Surface Treatment Metal powder spraying
 Pole Diameter φ165 MM
 Wall Thickness 3.5 MM
 Warranty 10 Years

LED LIGHT

Luminaire Power 20W
 Efficacy 180LM/W
 Lumen Output 3600LM
 LED Chips Lumileds 3030
 Colour Temperature 3000K/4000K/5000K
 Ingress Protection Rate IP65
 LED Lifespan 50,000Hrs
 Light Distribution T2, T3, T4, T5
 Operating Temperature -30~50C
 Warranty 5 Years

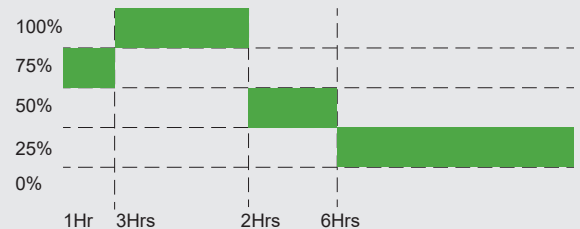
SOLAR MODULE

Module Qty 1 Module
 Module Type Built-in
 Technology Flexible HJT
 Power 18V, 100W
 Efficiency >24%
 Dimensions φ165x1330 MM
 Warranty 10 Years

BATTERY

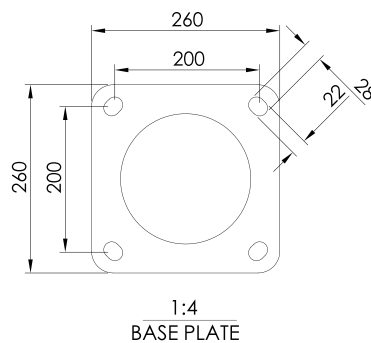
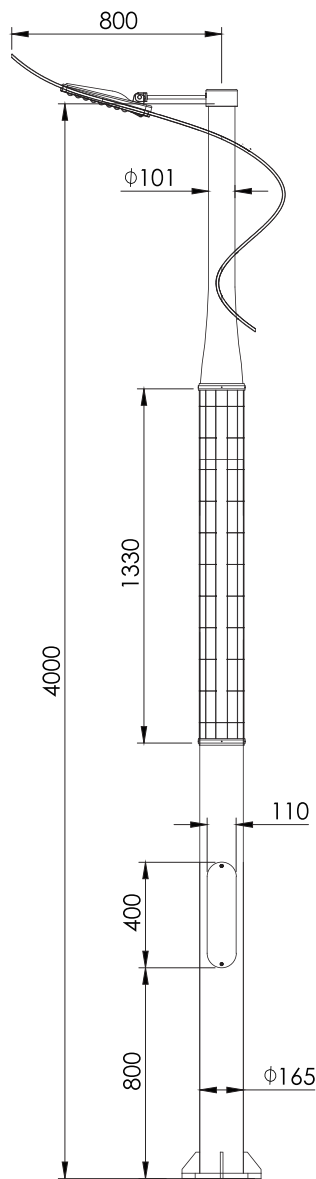
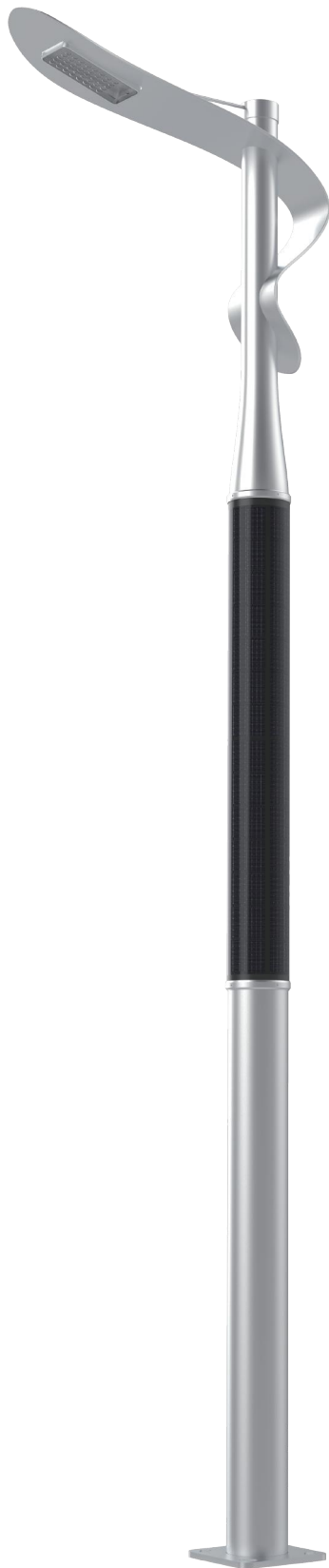
Type LiFePO4
 Capacity 12.8V, 30Ah
 Cycle Life 2000 Times
 Charging Time Continuous 2 Sunny Days (Average 6Hrs Per Day)
 Discharging Time Continuous 3 Cloudy Days (Average 12Hrs Per Day)

WORKING MODE



Note: Working modes can be customized based on local environment.





Specifications

Total Height 4000 MM

POLE

Pole Material Aluminium 6063-T6
 Surface Treatment Metal powder spraying
 Pole Diameter $\phi 165$ MM
 Wall Thickness 3.5 MM
 Warranty 10 Years

LED LIGHT

Luminaire Power 20W
 Efficacy 180LM/W
 Lumen Output 3600LM
 LED Chips Lumileds 3030
 Colour Temperature 3000K/4000K/5000K
 Ingress Protection Rate IP65
 LED Lifespan 50,000Hrs
 Light Distribution T2, T3, T4, T5
 Operating Temperature -30~50C
 Warranty 5 Years

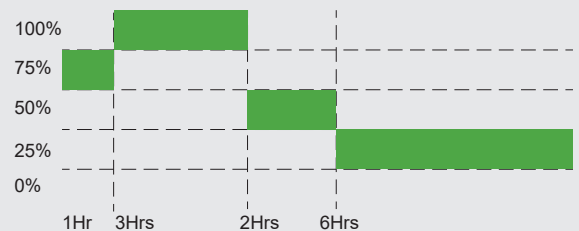
SOLAR MODULE

Module Qty 1 Module
 Module Type Built-in
 Technology Flexible HJT
 Power 18V, 100W
 Efficiency >24%
 Dimensions $\phi 165 \times 1330$ MM
 Warranty 10 Years

BATTERY

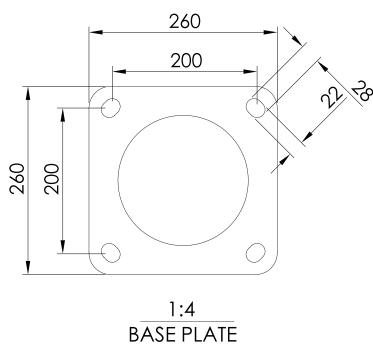
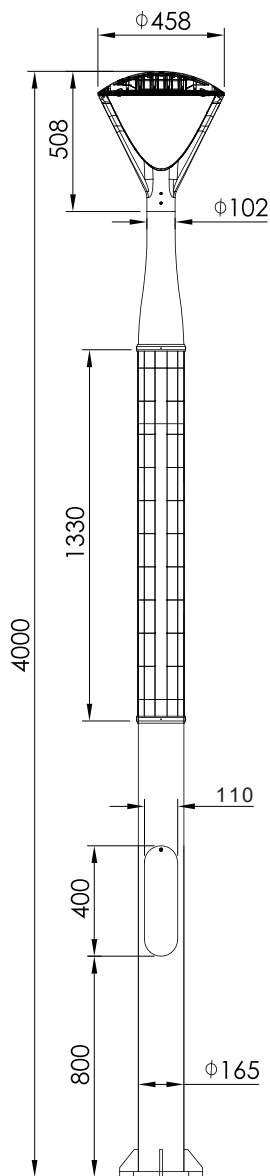
Type LiFePO4
 Capacity 12.8V, 30Ah
 Cycle Life 2000 Times
 Charging Time Continuous 2 Sunny Days (Average 6Hrs Per Day)
 Discharging Time Continuous 3 Cloudy Days (Average 12Hrs Per Day)

WORKING MODE



Note: Working modes can be customized based on local environment.





Specifications

Total Height 4000 MM

POLE

Pole Material Aluminium 6063-T6
 Surface Treatment Metal powder spraying
 Pole Diameter ϕ 165 MM
 Wall Thickness 3.5 MM
 Warranty 10 Years

LED LIGHT

Luminaire Power 20W
 Efficacy 180LM/W
 Lumen Output 3600LM
 LED Chips Lumileds 3030
 Colour Temperature 3000K/4000K/5000K
 Ingress Protection Rate IP65
 LED Lifespan 50,000Hrs
 Light Distribution T2, T3, T4, T5
 Operating Temperature -30~50C
 Warranty 5 Years

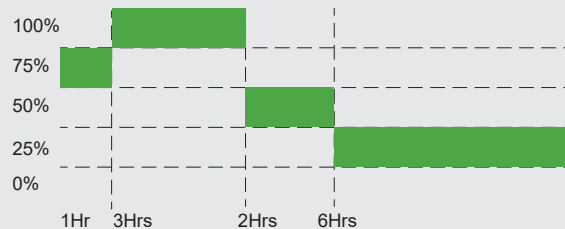
SOLAR MODULE

Module Qty 1 Module
 Module Type Built-in
 Technology Flexible HJT
 Power 18V, 100W
 Efficiency >24%
 Dimensions ϕ 165x1330 MM
 Warranty 10 Years

BATTERY

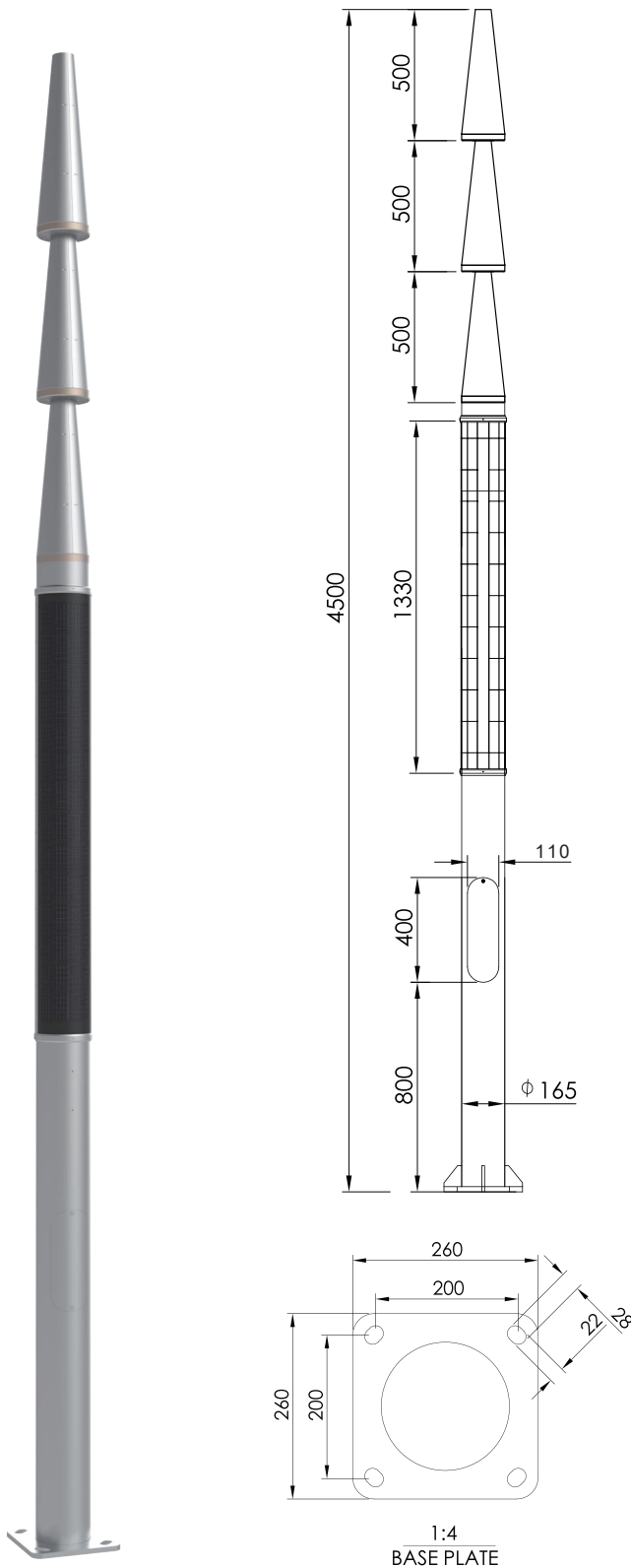
Type LiFePO4
 Capacity 12.8V, 30Ah
 Cycle Life 2000 Times
 Charging Time Continuous 2 Sunny Days (Average 6Hrs Per Day)
 Discharging Time Continuous 3 Cloudy Days (Average 12Hrs Per Day)

WORKING MODE



Note: Working modes can be customized based on local environment.





Specifications

Total Height 4500 MM

POLE

Pole Material Aluminium 6063-T6
 Surface Treatment Metal powder spraying
 Pole Diameter ϕ 165 MM
 Wall Thickness 3.5 MM
 Warranty 10 Years

LED LIGHT

Luminaire Power 10W*2
 Efficacy 180LM/W
 Lumen Output 1800LM*2
 LED Chips Lumileds 3030
 Colour Temperature 3000K/4000K/5000K
 Ingress Protection Rate IP65
 LED Lifespan 50,000Hrs
 Light Distribution 120°
 Operating Temperature -30~50C
 Warranty 5 Years

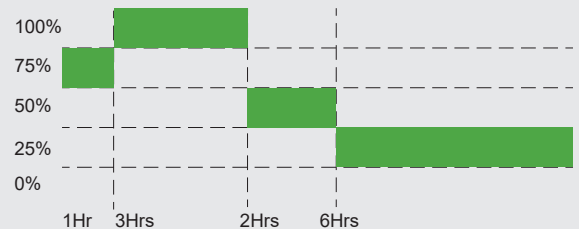
SOLAR MODULE

Module Qty 1 Module
 Module Type Built-in
 Technology Flexible HJT
 Power 18V, 100W
 Efficiency >24%
 Dimensions ϕ 165x1330 MM
 Warranty 10 Years

BATTERY

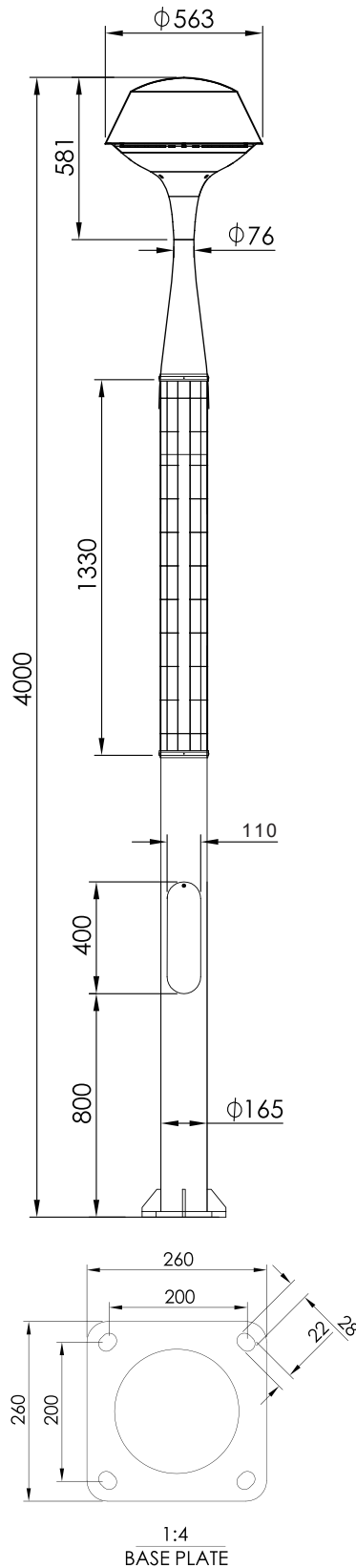
Type LiFePO4
 Capacity 12.8V, 30Ah
 Cycle Life 2000 Times
 Charging Time Continuous 2 Sunny Days (Average 6Hrs Per Day)
 Discharging Time Continuous 3 Cloudy Days (Average 12Hrs Per Day)

WORKING MODE



Note: Working modes can be customized based on local environment.





Specifications

Total Height 4000 MM

POLE

Pole Material Aluminium 6063-T6
 Surface Treatment Metal powder spraying
 Pole Diameter $\phi 165$ MM
 Wall Thickness 3.5 MM
 Warranty 10 Years

LED LIGHT

Luminaire Power 20W
 Efficacy 120LM/W
 Lumen Output 2400LM
 LED Chips Lumileds 3030
 Colour Temperature 3000K/4000K/5000K
 Ingress Protection Rate IP65
 LED Lifespan 50,000Hrs
 Light Distribution 120°
 Operating Temperature -30~50C
 Warranty 5 Years

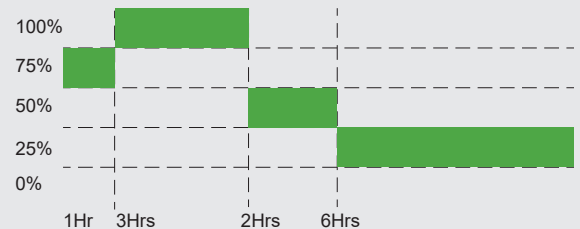
SOLAR MODULE

Module Qty 1 Module
 Module Type Built-in
 Technology Flexible HJT
 Power 18V, 100W
 Efficiency >24%
 Dimensions $\phi 165 \times 1330$ MM
 Warranty 10 Years

BATTERY

Type LiFePO4
 Capacity 12.8V, 30Ah
 Cycle Life 2000 Times
 Charging Time Continuous 2 Sunny Days (Average 6Hrs Per Day)
 Discharging Time Continuous 3 Cloudy Days (Average 12Hrs Per Day)

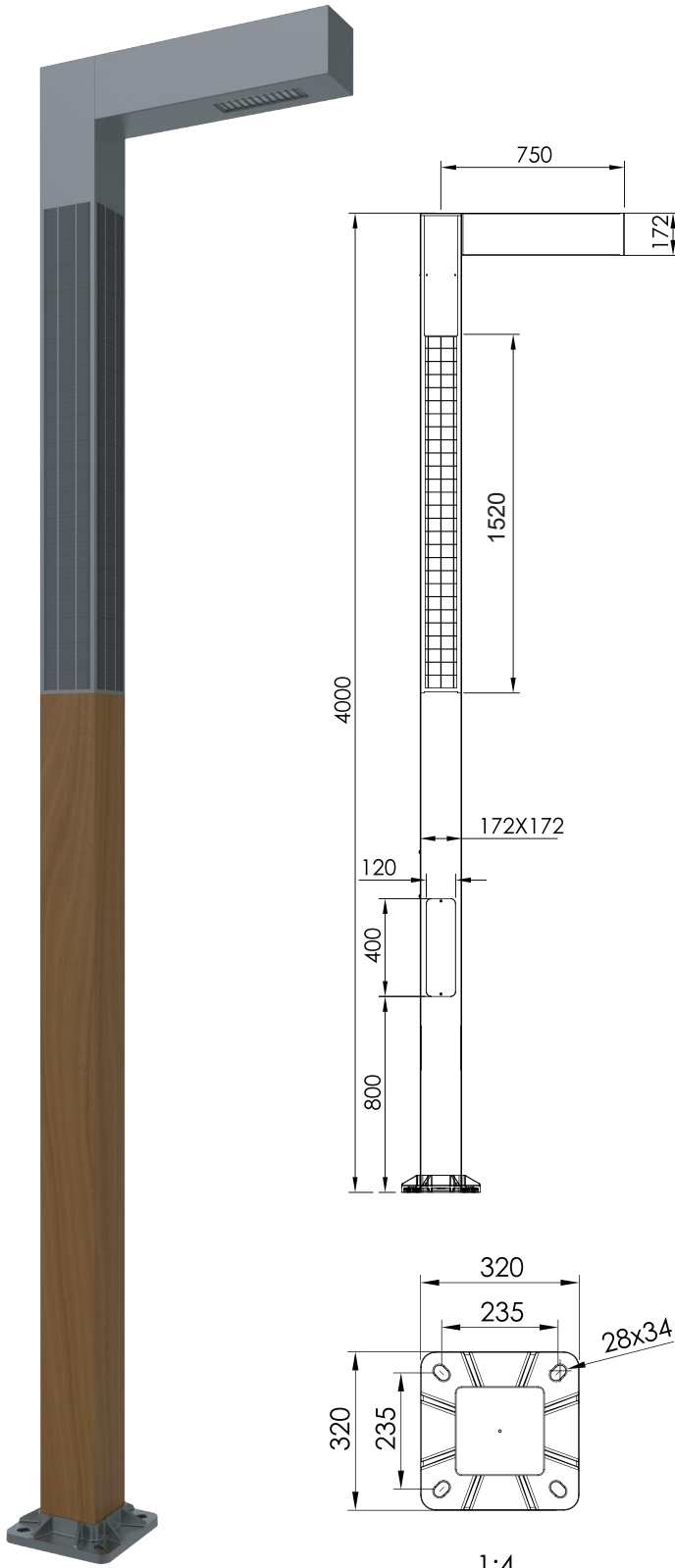
WORKING MODE



Note: Working modes can be customized based on local environment.







1:4
BASE PLATE

Specifications

Total Height 4000 MM

POLE

Pole Material Aluminium 6063-T6
 Surface Treatment Metal powder spraying
 Pole Dimension 172 x 172 MM
 Wall Thickness 3 MM
 Warranty 10 Years

LED LIGHT

Luminaire Power 20W
 Efficacy 180LM/W
 Lumen Output 3600LM
 LED Chips Lumileds 3030
 Colour Temperature 3000K/4000K/5000K
 Ingress Protection Rate IP65
 LED Lifespan 50,000Hrs
 Light Distribution T2, T3, T4, T5
 Operating Temperature -30~50C
 Warranty 5 Years

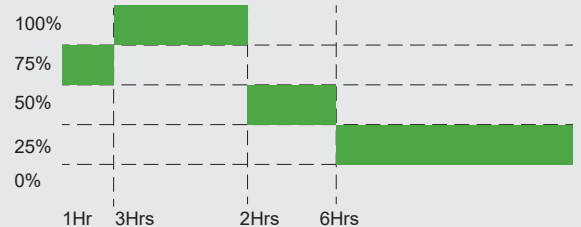
SOLAR MODULE

Module Qty 4 Modules
 Technology Monocrystalline silicon
 Power 18V, 37W x 4
 Efficiency >22%
 Dimensions 172 x 172 x 1520MM
 Warranty 10 Years

BATTERY

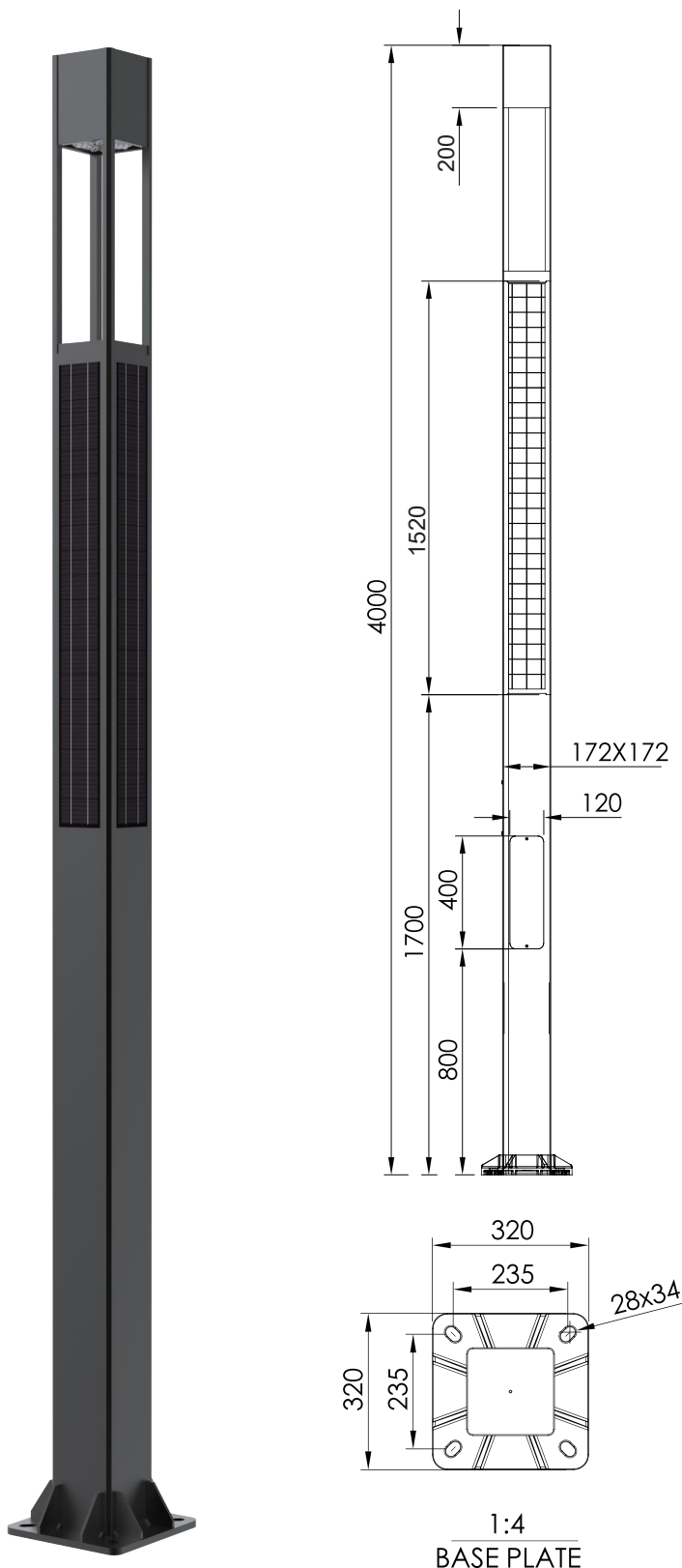
Type LiFePO4
 Capacity 12.8V, 30Ah
 Cycle Life 2000 Times
 Charging Time Continuous 2 Sunny Days
 (Average 6Hrs Per Day)
 Discharging Time Continuous 3 Cloudy Days
 (Average 12Hrs Per Day)

WORKING MODE



Note: Working modes can be customized based on local environment.





Specifications

Total Height 4000 MM

POLE

Pole Material Aluminium 6063-T6
 Surface Treatment Metal powder spraying
 Pole Dimension 172 x 172 MM
 Wall Thickness 3 MM
 Warranty 10 Years

LED LIGHT

Luminaire Power 20W
 Efficacy 180LM/W
 Lumen Output 3600LM
 LED Chips Lumileds 3030
 Colour Temperature 3000K/4000K/5000K
 Ingress Protection Rate IP65
 LED Lifespan 50,000Hrs
 Light Distribution T2, T3, T4, T5
 Operating Temperature -30~50C
 Warranty 5 Years

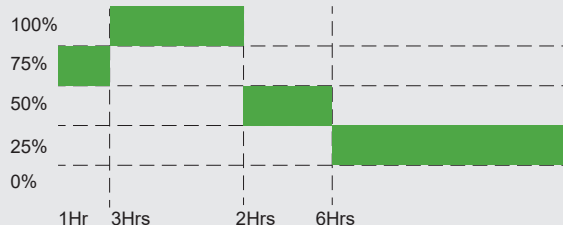
SOLAR MODULE

Module Qty 4 Modules
 Technology Monocrystalline silicon
 Power 18V, 37W x 4
 Efficiency >22%
 Dimensions 172 x 172 x 1520MM
 Warranty 10 Years

BATTERY

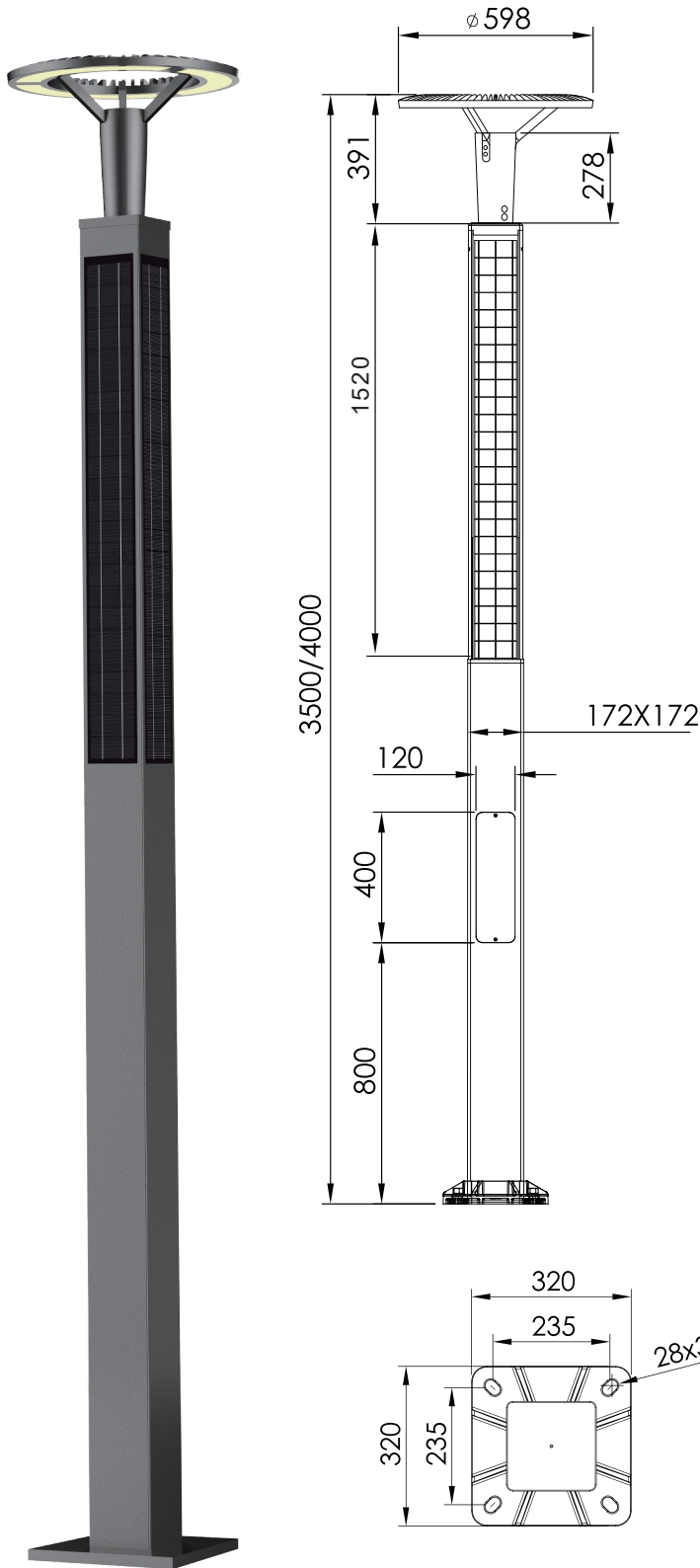
Type LiFePO4
 Capacity 12.8V, 30Ah
 Cycle Life 2000 Times
 Charging Time Continuous 2 Sunny Days (Average 6Hrs Per Day)
 Discharging Time Continuous 3 Cloudy Days (Average 12Hrs Per Day)

WORKING MODE



Note: Working modes can be customized based on local environment.





1:4
BASE PLATE

Specifications

Total Height 4000 MM

POLE

Pole Material Aluminium 6063-T6
 Surface Treatment Metal powder spraying
 Pole Dimension 172 x 172 MM
 Wall Thickness 3 MM
 Warranty 10 Years

LED LIGHT

Luminaire Power 20W
 Efficacy 180LM/W
 Lumen Output 3600LM
 LED Chips Lumileds 3030
 Colour Temperature 3000K/4000K/5000K
 Ingress Protection Rate IP65
 LED Lifespan 50,000Hrs
 Light Distribution 120°
 Operating Temperature -30~50C
 Warranty 5 Years

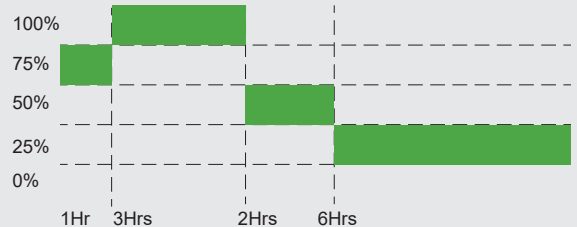
SOLAR MODULE

Module Qty 4 Modules
 Technology Monocrystalline silicon
 Power 18V, 37W x 4
 Efficiency >22%
 Dimensions 172 x 172 x 1520MM
 Warranty 10 Years

BATTERY

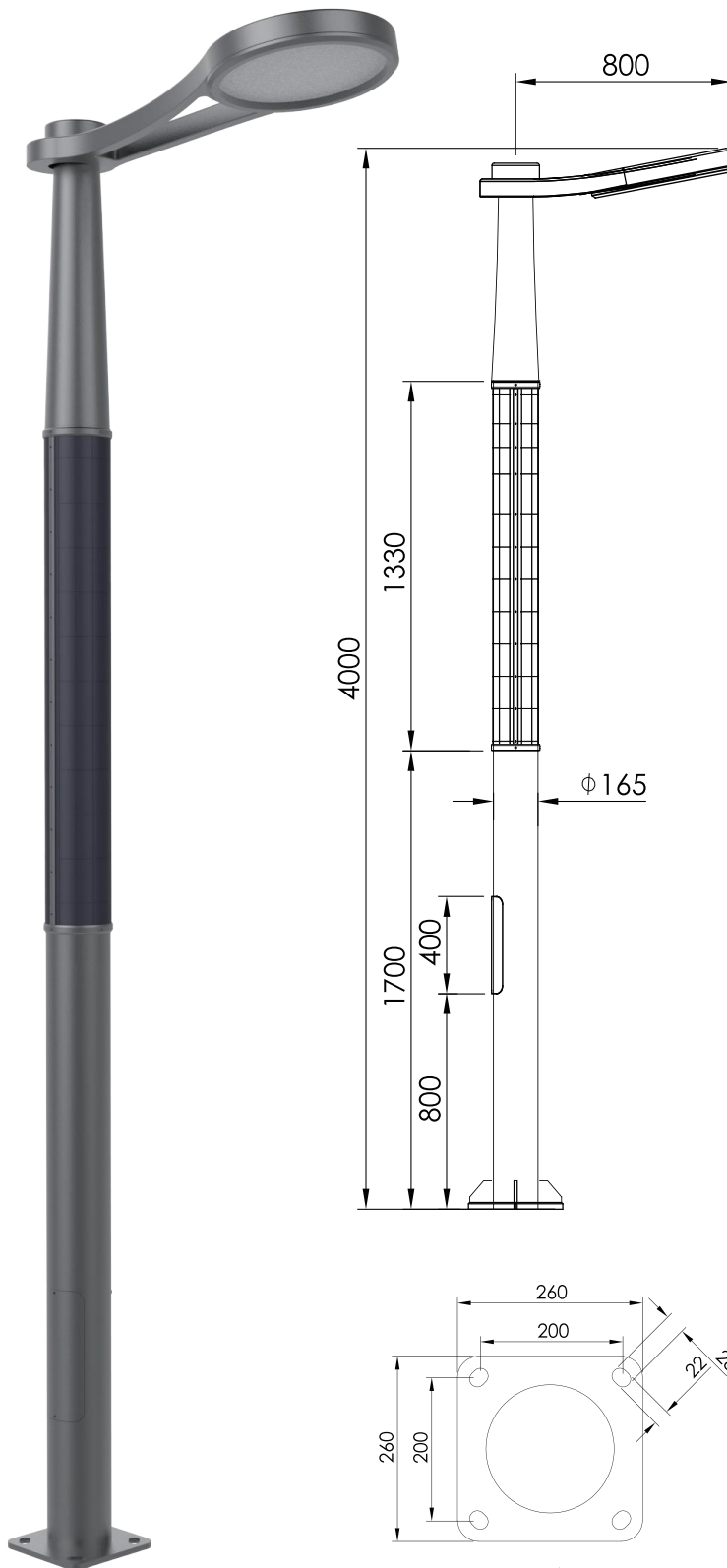
Type LiFePO4
 Capacity 12.8V, 30Ah
 Cycle Life 2000 Times
 Charging Time Continuous 2 Sunny Days
 (Average 6Hrs Per Day)
 Discharging Time Continuous 3 Cloudy Days
 (Average 12Hrs Per Day)

WORKING MODE



Note: Working modes can be customized based on local environment.





Specifications

Total Height 4000 MM

POLE

Pole Material Aluminium 6063-T6
 Surface Treatment Metal powder spraying
 Pole Diameter ϕ 165 MM
 Wall Thickness 3.5 MM
 Warranty 10 Years

LED LIGHT

Luminaire Power 20W
 Efficacy 180LM/W
 Lumen Output 3600LM
 LED Chips Lumileds 3030
 Colour Temperature 3000K/4000K/5000K
 Ingress Protection Rate IP65
 LED Lifespan 50,000Hrs
 Light Distribution T2, T3, T4, T5
 Operating Temperature -30~50C
 Warranty 5 Years

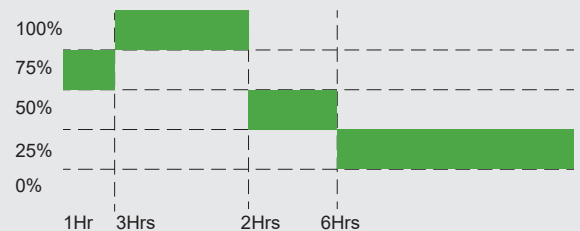
SOLAR MODULE

Module Qty 1 Module
 Module Type Built-in
 Technology Flexible HJT
 Power 18V, 100W
 Efficiency >24%
 Dimensions ϕ 165x1330 MM
 Warranty 10 Years

BATTERY

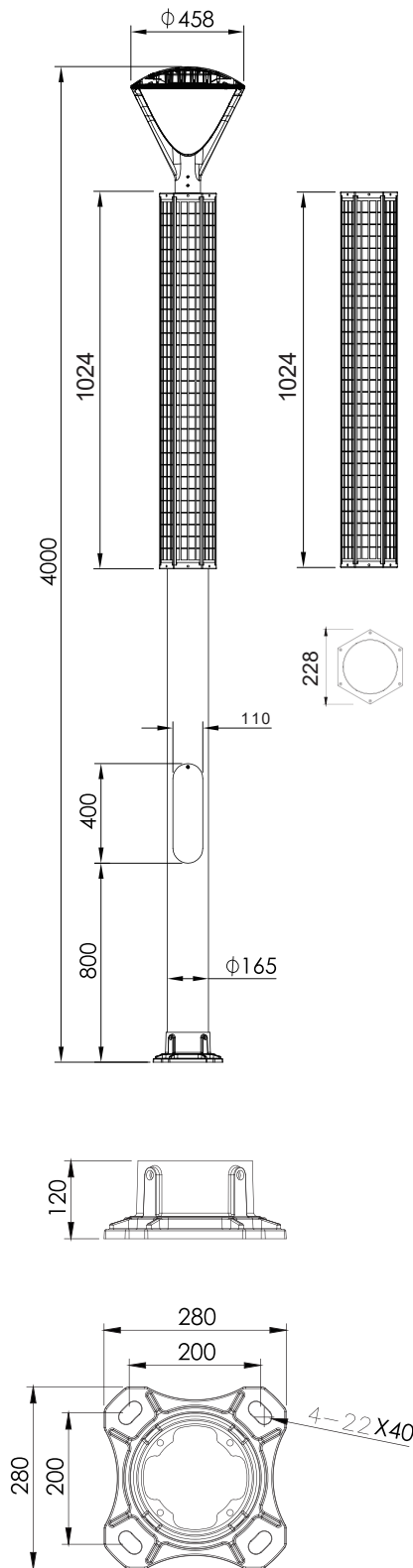
Type LiFePO4
 Capacity 12.8V, 30Ah
 Cycle Life 2000 Times
 Charging Time Continuous 2 Sunny Days (Average 6Hrs Per Day)
 Discharging Time Continuous 3 Cloudy Days (Average 12Hrs Per Day)

WORKING MODE



Note: Working modes can be customized based on local environment.





Specifications

Total Height 4000 MM

POLE

Pole Material Aluminium 6063-T6
 Surface Treatment Metal powder spraying
 Pole Diameter ϕ 165 MM
 Wall Thickness 3.5 MM
 Warranty 10 Years

LED LIGHT

Luminaire Power 20W
 Efficacy 180LM/W
 Lumen Output 3600LM
 LED Chips Lumileds 3030
 Colour Temperature 3000K/4000K/5000K
 Ingress Protection Rate IP65
 LED Lifespan 50,000Hrs
 Light Distribution T2, T3, T4, T5
 Operating Temperature -30~50C
 Warranty 5 Years

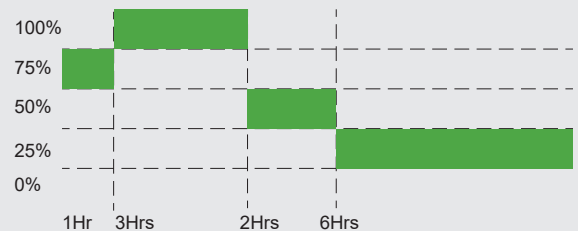
SOLAR MODULE

Module Qty 1 Module
 Module Type Hexagonal Sleeved
 Technology Monocrystalline silicon
 Power 18V, 100W
 Efficiency >22%
 Dimensions 228 x 1024MM
 Warranty 10 Years

BATTERY

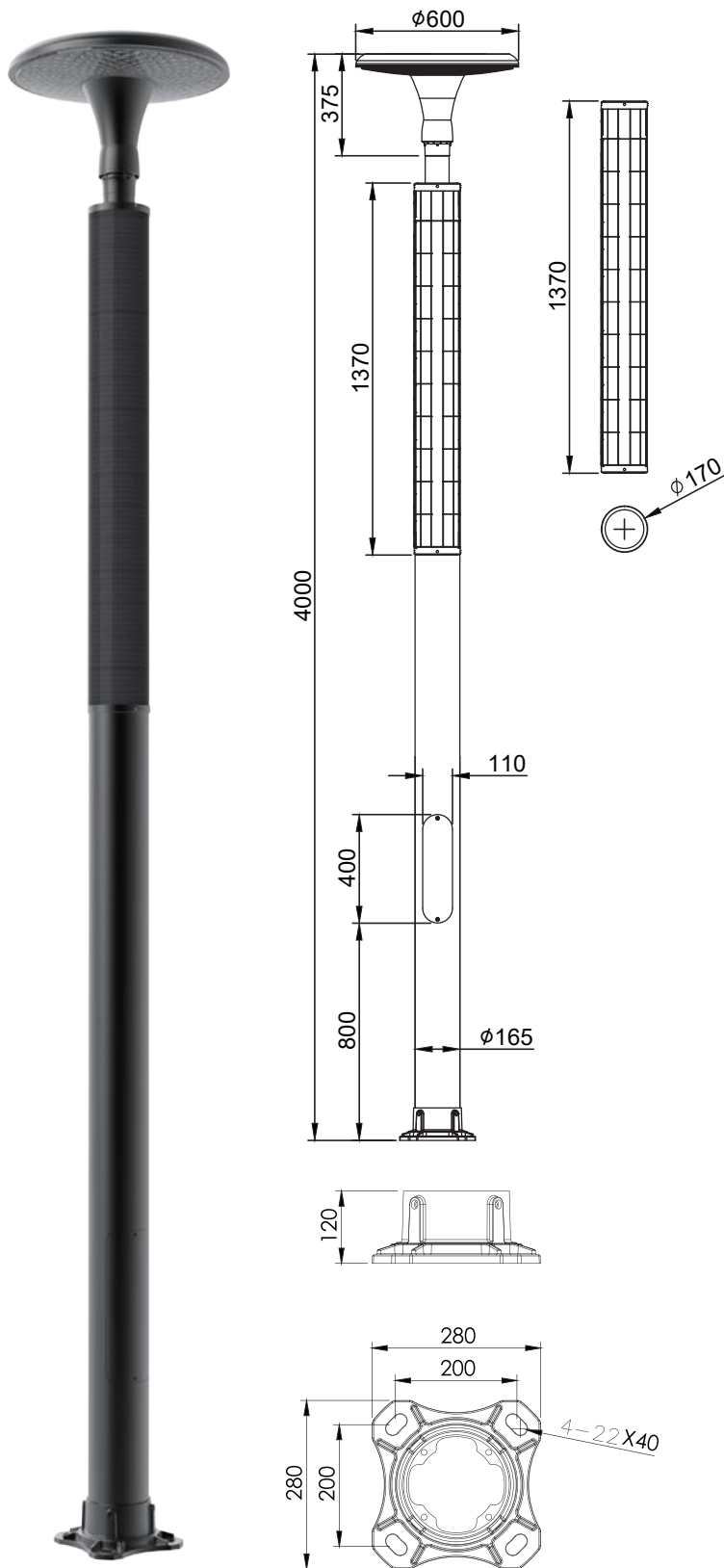
Type LiFePO4
 Capacity 12.8V, 30Ah
 Cycle Life 2000 Times
 Charging Time Continuous 2 Sunny Days (Average 6Hrs Per Day)
 Discharging Time Continuous 3 Cloudy Days (Average 12Hrs Per Day)

WORKING MODE



Note: Working modes can be customized based on local environment.





Specifications

Total Height 5000 MM

POLE

Pole Material Aluminium 6063-T6
 Surface Treatment Metal powder spraying
 Pole Diameter ϕ 165 MM
 Wall Thickness 3.5 MM
 Warranty 10 Years

LED LIGHT

Luminaire Power 20W
 Efficacy 150LM/W
 Lumen Output 3000LM
 LED Chips Lumileds 3030
 Colour Temperature 3000K/4000K/5000K
 Ingress Protection Rate IP65
 LED Lifespan 50,000Hrs
 Light Distribution 120°
 Operating Temperature -30~50C
 Warranty 5 Years

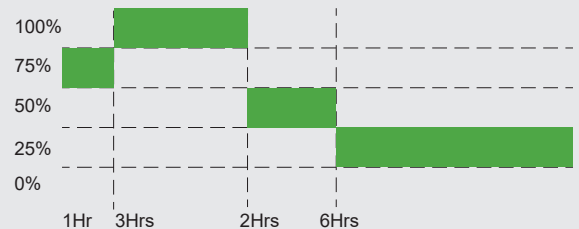
SOLAR MODULE

Module Qty 1 Module
 Module Type Circular Sleeved
 Technology Monocrystalline silicon
 Power 18V, 100W
 Efficiency >24%
 Dimensions ϕ 170x1370 MM
 Warranty 10 Years

BATTERY

Type LiFePO4
 Capacity 12.8V, 30Ah
 Cycle Life 2000 Times
 Charging Time Continuous 2 Sunny Days (Average 6Hrs Per Day)
 Discharging Time Continuous 3 Cloudy Days (Average 12Hrs Per Day)

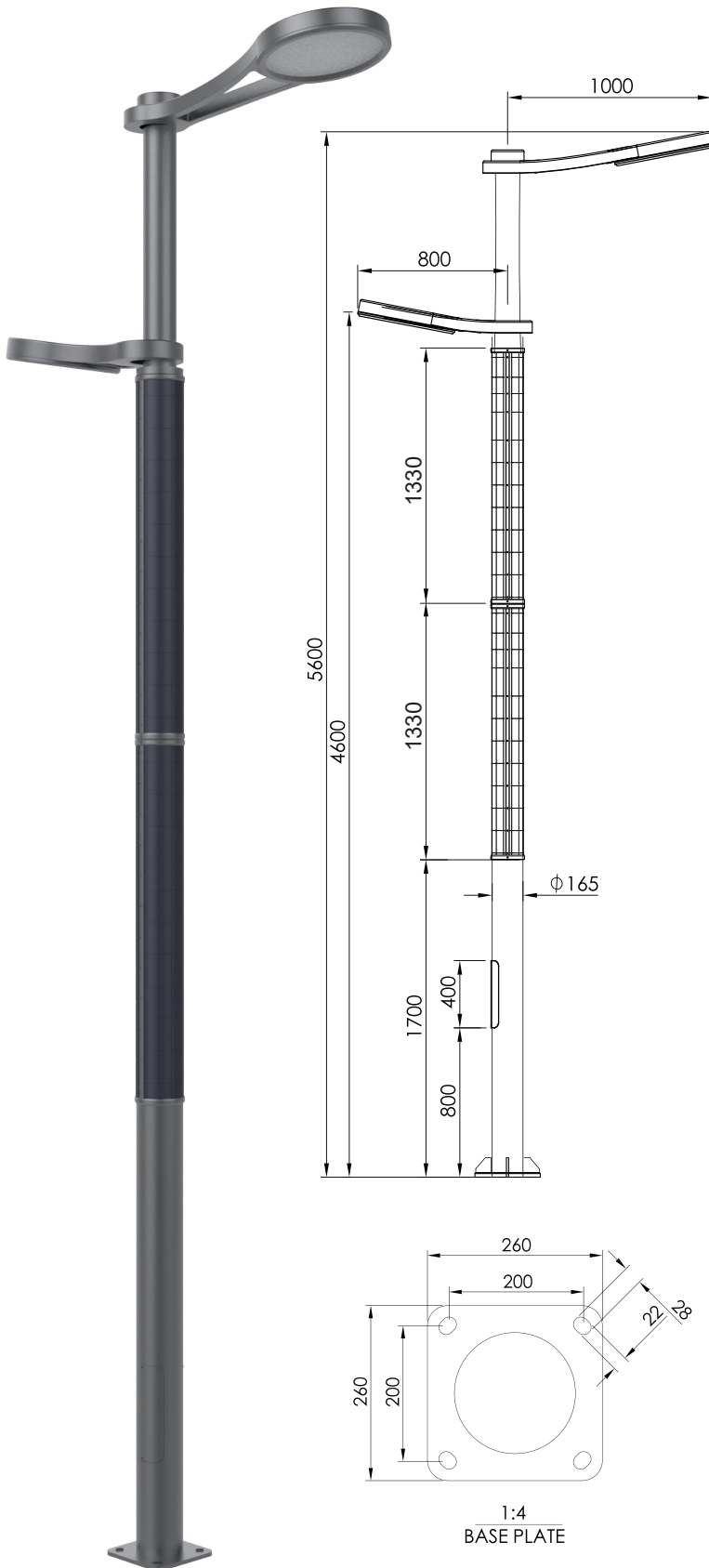
WORKING MODE



Note: Working modes can be customized based on local environment.

Note: Sectional Circular Module Type.





Specifications

Total Height 5600 MM

POLE

Pole Material Aluminium 6063-T6
 Surface Treatment Metal powder spraying
 Pole Diameter ϕ 165 MM
 Wall Thickness 3.5 MM
 Warranty 10 Years

LED LIGHT

Luminaire Power 20W*2
 Efficacy 180LM/W
 Lumen Output 3600LM*2
 LED Chips Lumileds 3030
 Colour Temperature 3000K/4000K/5000K
 Ingress Protection Rate IP65
 LED Lifespan 50,000Hrs
 Light Distribution T2, T3, T4, T5
 Operating Temperature -30~50C
 Warranty 5 Years

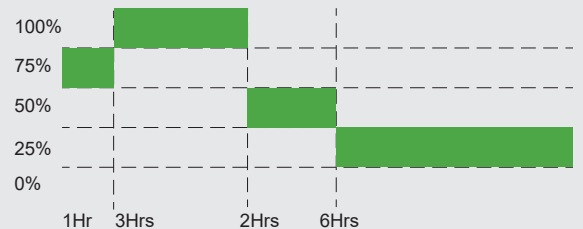
SOLAR MODULE

Module Qty 2 Modules
 Module Type Built-in
 Technology Flexible HJT
 Power 18V, 100W x 2
 Efficiency >24%
 Dimensions ϕ 165x2660 MM
 Warranty 10 Years

BATTERY

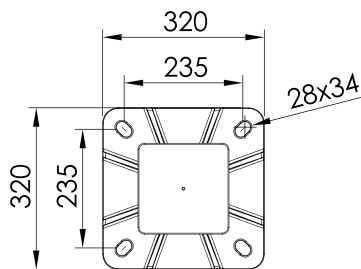
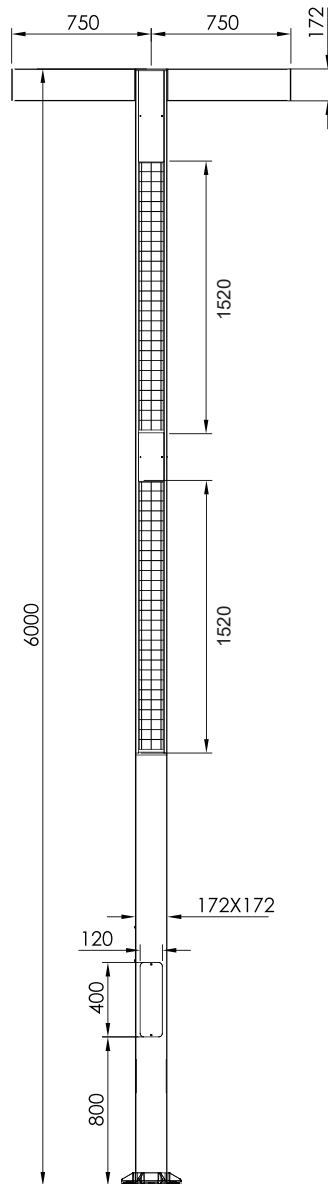
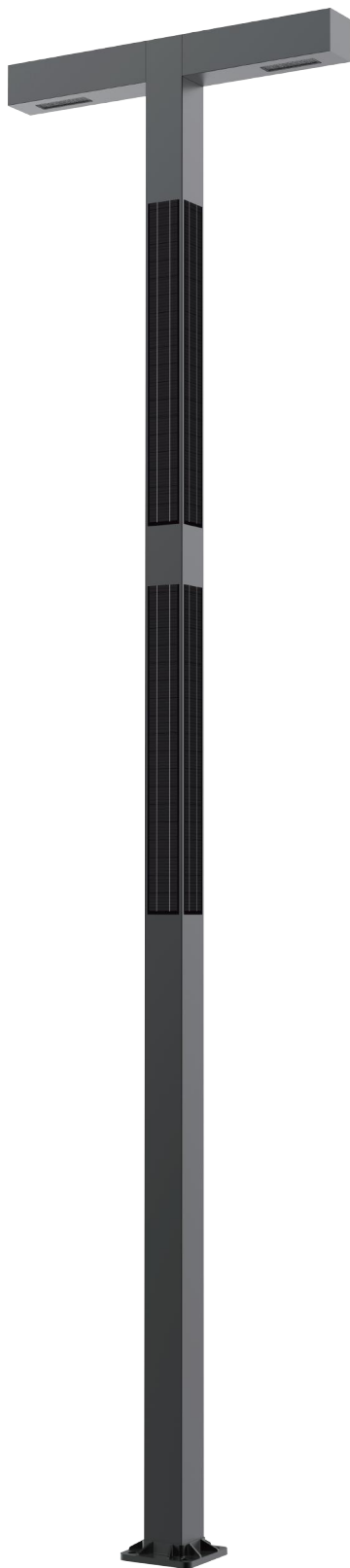
Type LiFePO4
 Capacity 12.8V, 30Ah*2PCS
 Cycle Life 2000 Times
 Charging Time Continuous 2 Sunny Days (Average 6Hrs Per Day)
 Discharging Time Continuous 3 Cloudy Days (Average 12Hrs Per Day)

WORKING MODE



Note: Working modes can be customized based on local environment.





1:4
BASE PLATE

Specifications

Total Height 6000 MM

POLE

Pole Material Aluminium 6063-T6
 Surface Treatment Metal powder spraying
 Pole Dimension 172 x 172 MM
 Wall Thickness 3 MM
 Warranty 10 Years

LED LIGHT

Luminaire Power 20W*2
 Efficacy 180LM/W
 Lumen Output 3600LM*2
 LED Chips Lumileds 3030
 Colour Temperature 3000K/4000K/5000K
 Ingress Protection Rate IP65
 LED Lifespan 50,000Hrs
 Light Distribution T2, T3, T4, T5
 Operating Temperature -30~50C
 Warranty 5 Years

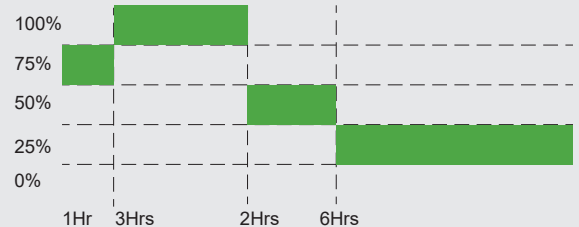
SOLAR MODULE

Module Qty 8 Modules
 Technology Monocrystalline silicon
 Power 18V, 37W x 8
 Efficiency >22%
 Dimensions 172 x 172 x 1520MM
 Warranty 10 Years

BATTERY

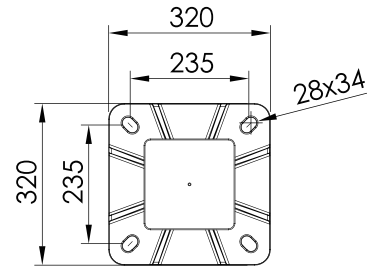
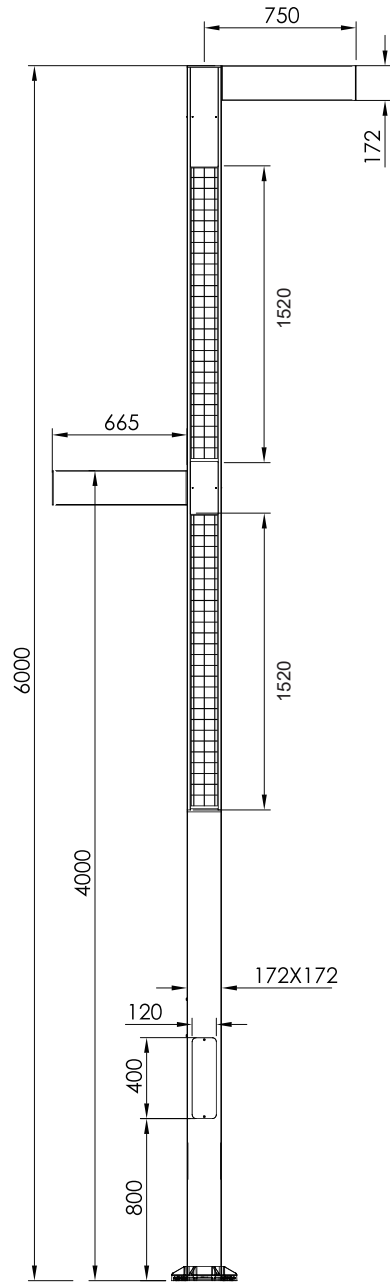
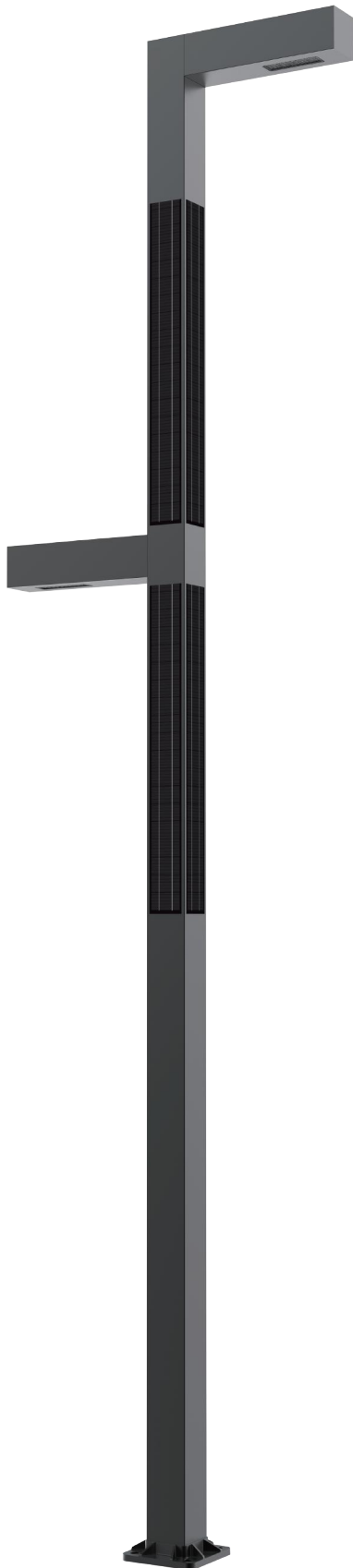
Type LiFePO4
 Capacity 12.8V, 30Ah*2 PCS
 Cycle Life 2000 Times
 Charging Time Continuous 2 Sunny Days
 (Average 6Hrs Per Day)
 Discharging Time Continuous 3 Cloudy Days
 (Average 12Hrs Per Day)

WORKING MODE



Note: Working modes can be customized based on local environment.





1:4
BASE PLATE

Specifications

Total Height	6000 MM
--------------	---------

POLE

Pole Material	Aluminium 6063-T6
Surface Treatment	Metal powder spraying
Pole Dimension	172 x 172 MM
Wall Thickness	3 MM
Warranty	10 Years

LED LIGHT

Luminaire Power	20W*2
Efficacy	180LM/W
Lumen Output	3600LM*2
LED Chips	Lumileds 3030
Colour Temperature	3000K/4000K/5000K
Ingress Protection Rate	IP65
LED Lifespan	50,000Hrs
Light Distribution	T2, T3, T4, T5
Operating Temperature	-30~50C
Warranty	5 Years

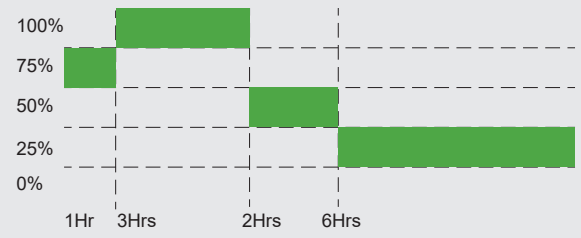
SOLAR MODULE

Module Qty	8 Modules
Technology	Monocrystalline silicon
Power	18V, 37W x 8
Efficiency	>22%
Dimensions	172 x 172 x 1520MM
Warranty	10 Years

BATTERY

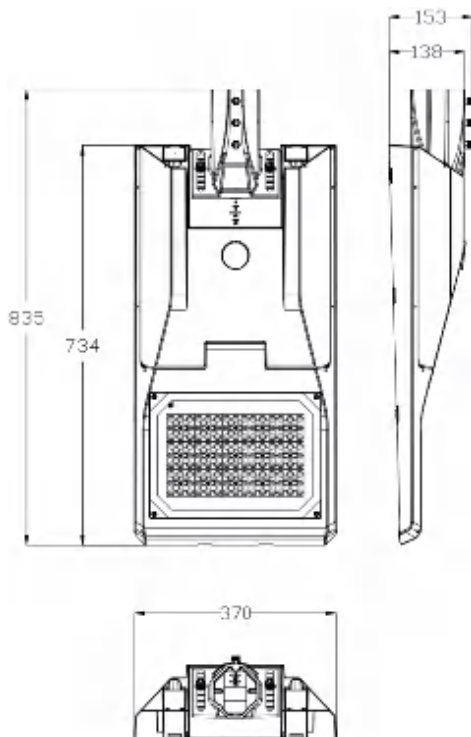
Type	LiFePO4
Capacity	12.8V, 30Ah*2 PCS
Cycle Life	2000 Times
Charging Time	Continuous 2 Sunny Days (Average 6Hrs Per Day)
Discharging Time	Continuous 3 Cloudy Days (Average 12Hrs Per Day)

WORKING MODE



Note: Working modes can be customized based on local environment.





Specifications

Total Height 3500/4000/4500 MM

POLE

Pole Material Aluminium 6063-T6
 Surface Treatment Metal powder spraying
 Pole Diameter ϕ 76-127 MM (Top-Bottom)
 Wall Thickness 3.2 MM
 Warranty 10 Years

LED LIGHT

Luminaire Power 24W
 Efficacy 190LM/W
 Lumen Output 4560LM
 LED Chips Lumileds 5050
 Colour Temperature 3000K/4000K/5000K
 Ingress Protection Rate IP65
 LED Lifespan 50,000Hrs
 Light Distribution T2, T3, T4, T5
 Operating Temperature -30~50C
 Warranty 5 Years

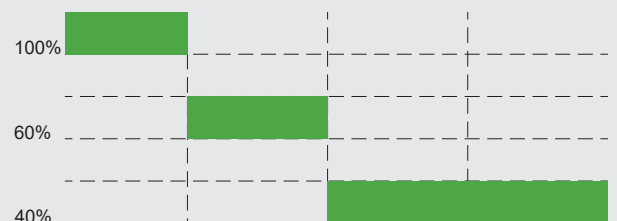
SOLAR MODULE

Module Qty 1 Module
 Technology Monocrystalline silicon
 Power 18V, 45W
 Efficiency >24%
 Dimensions 680 x 345 MM
 Warranty 10 Years

BATTERY

Type LiFePO4
 Capacity 12.8V, 18Ah
 Cycle Life 2000 Times
 Charging Time Continuous 2 Sunny Days (Average 6Hrs Per Day)
 Discharging Time Continuous 2 Cloudy Days (Average 12Hrs Per Day)

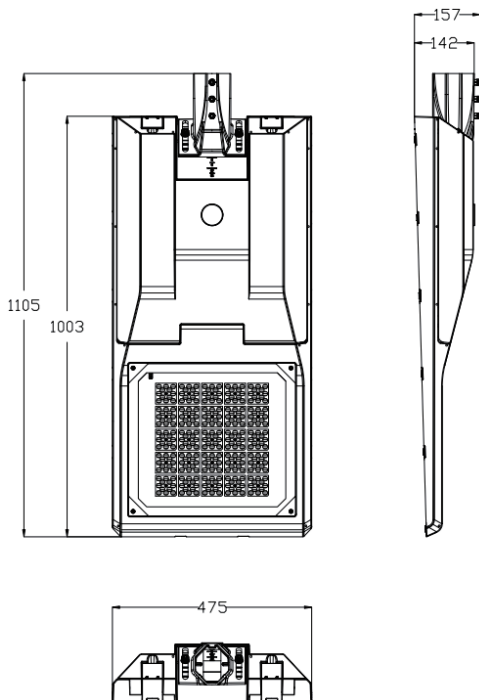
WORKING MODE



3hrs - 100%, 2hrs - 60%, 7hrs - 20%

Note: Working modes can be customized based on local environment.





Specifications

Total Height 4500/5000/6000 MM

POLE

Pole Material Aluminium 6063-T6
 Surface Treatment Metal powder spraying
 Pole Diameter ϕ 76-140 MM (Top-Bottom)
 Wall Thickness 3.2 MM
 Warranty 10 Years

LED LIGHT

Luminaire Power 45W
 Efficacy 190LM/W
 Lumen Output 8550LM
 LED Chips Lumileds 5050
 Colour Temperature 3000K/4000K/5000K
 Ingress Protection Rate IP65
 LED Lifespan 50,000Hrs
 Light Distribution T2, T3, T4, T5
 Operating Temperature -30~50C
 Warranty 5 Years

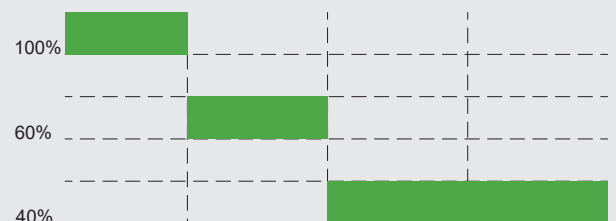
SOLAR MODULE

Module Qty 1 Module
 Technology Monocrystalline silicon
 Power 18V, 85W
 Efficiency >22%
 Dimensions 950 x 450 MM
 Warranty 10 Years

BATTERY

Type LiFePO4
 Capacity 12.8V, 36Ah
 Cycle Life 2000 Times
 Charging Time Continuous 2 Sunny Days (Average 6Hrs Per Day)
 Discharging Time Continuous 2 Cloudy Days (Average 12Hrs Per Day)

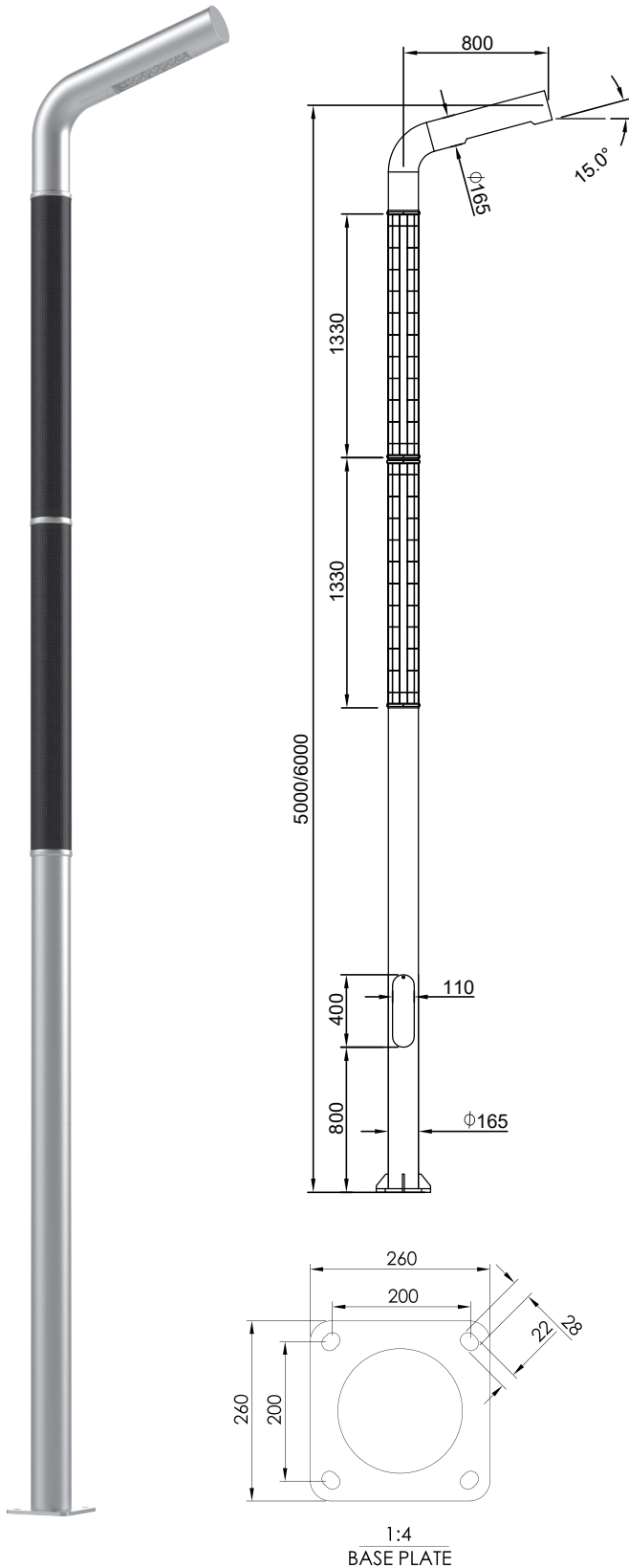
WORKING MODE



3hrs - 100%, 2hrs - 60%, 7hrs - 20%

Note: Working modes can be customized based on local environment.





Specifications

Total Height 5000/6000 MM

POLE

Pole Material Aluminium 6063-T6
 Surface Treatment Metal powder spraying
 Pole Diameter ϕ 165 MM
 Wall Thickness 3.5 MM
 Warranty 10 Years

LED LIGHT

Luminaire Power 40W
 Efficacy 180LM/W
 Lumen Output 7200LM
 LED Chips Lumileds 3030
 Colour Temperature 3000K/4000K/5000K
 Ingress Protection Rate IP65
 LED Lifespan 50,000Hrs
 Light Distribution T2, T3, T4, T5
 Operating Temperature -30~50C
 Warranty 5 Years

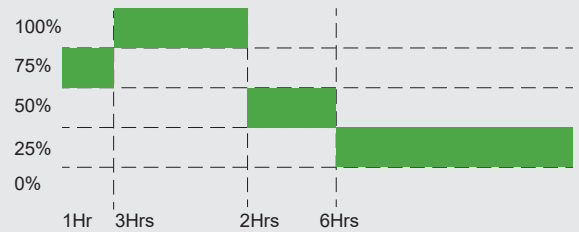
SOLAR MODULE

Module Qty 2 Modules
 Module Type Built-in
 Technology Flexible HJT
 Power 18V, 100W x 2
 Efficiency >24%
 Dimensions ϕ 165x2660 MM
 Warranty 10 Years

BATTERY

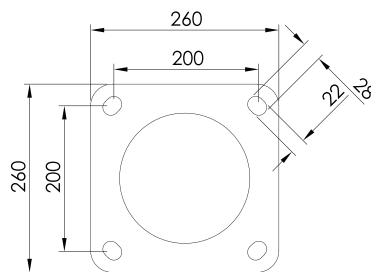
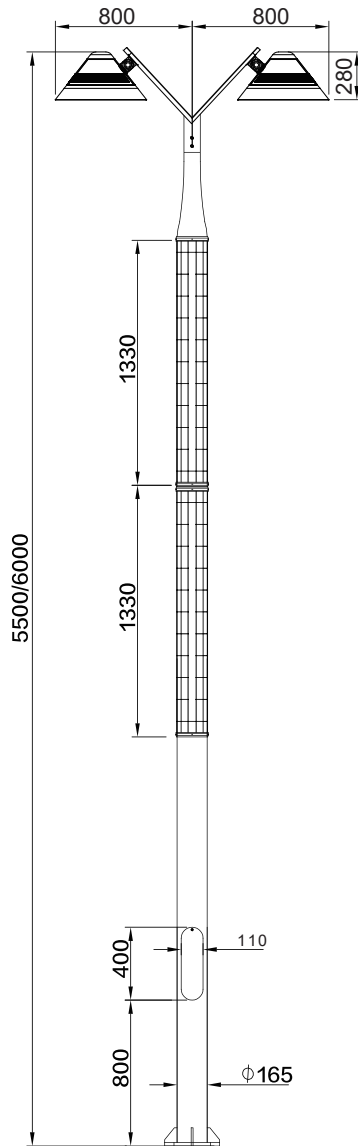
Type LiFePO4
 Capacity 12.8V, 30Ah*2PCS
 Cycle Life 2000 Times
 Charging Time Continuous 2 Sunny Days (Average 6Hrs Per Day)
 Discharging Time Continuous 3 Cloudy Days (Average 12Hrs Per Day)

WORKING MODE



Note: Working modes can be customized based on local environment.





1:4
BASE PLATE

Specifications

Total Height 5500/6000 MM

POLE

Pole Material Aluminium 6063-T6
 Surface Treatment Metal powder spraying
 Pole Diameter ϕ 165 MM
 Wall Thickness 3.5 MM
 Warranty 10 Years

LED LIGHT

Luminaire Power 20W*2
 Efficacy 180LM/W
 Lumen Output 3600LM*2
 LED Chips Lumileds 3030
 Colour Temperature 3000K/4000K/5000K
 Ingress Protection Rate IP65
 LED Lifespan 50,000Hrs
 Light Distribution T2, T3, T4, T5
 Operating Temperature -30~50C
 Warranty 5 Years

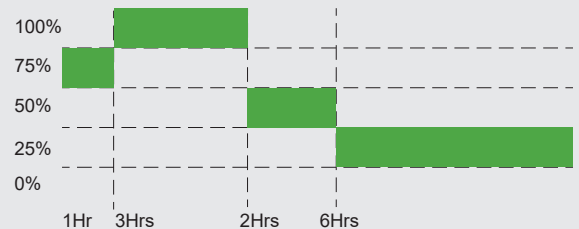
SOLAR MODULE

Module Qty 2 Modules
 Module Type Built-in
 Technology Flexible HJT
 Power 18V, 100W x 2
 Efficiency >24%
 Dimensions ϕ 165x2660 MM
 Warranty 10 Years

BATTERY

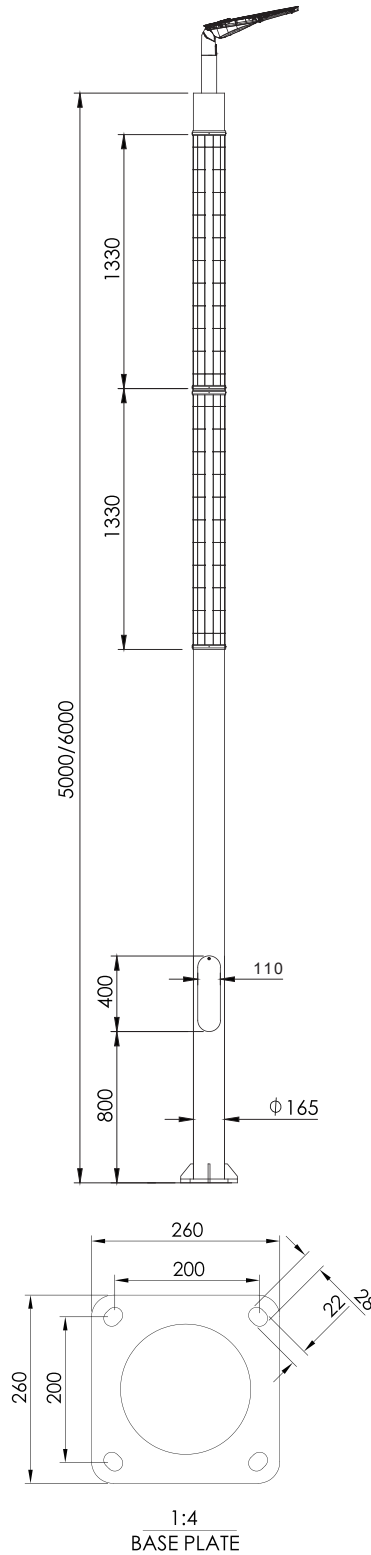
Type LiFePO4
 Capacity 12.8V, 30Ah*2PCS
 Cycle Life 2000 Times
 Charging Time Continuous 2 Sunny Days (Average 6Hrs Per Day)
 Discharging Time Continuous 3 Cloudy Days (Average 12Hrs Per Day)

WORKING MODE



Note: Working modes can be customized based on local environment.





Specifications

Total Height 5000/6000 MM

POLE

Pole Material Aluminium 6063-T6
 Surface Treatment Metal powder spraying
 Pole Diameter ϕ 165 MM
 Wall Thickness 3.5 MM
 Warranty 10 Years

LED LIGHT

Luminaire Power 40W
 Efficacy 180LM/W
 Lumen Output 7200LM
 LED Chips Lumileds 3030
 Colour Temperature 3000K/4000K/5000K
 Ingress Protection Rate IP65
 LED Lifespan 50,000Hrs
 Light Distribution T2, T3, T4, T5
 Operating Temperature -30~50C
 Warranty 5 Years

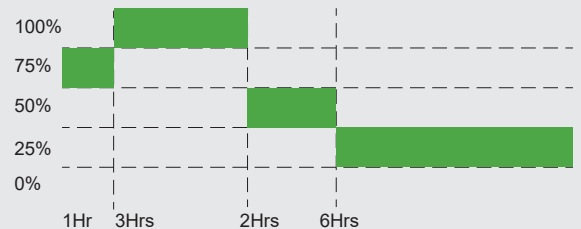
SOLAR MODULE

Module Qty 2 Modules
 Module Type Built-in
 Technology Flexible HJT
 Power 18V, 100W x 2
 Efficiency >24%
 Dimensions ϕ 165x2660 MM
 Warranty 10 Years

BATTERY

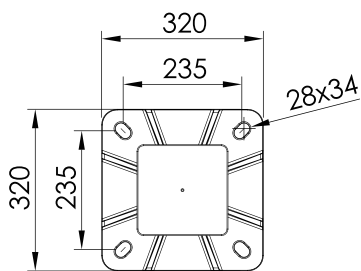
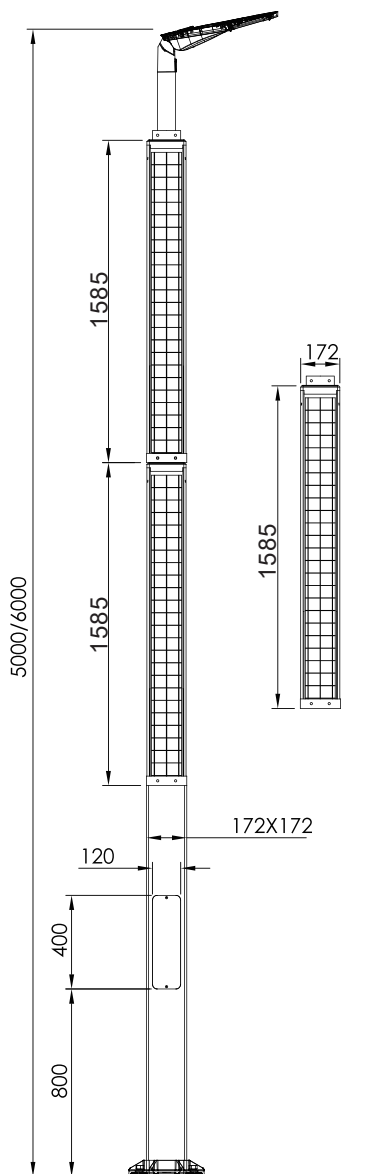
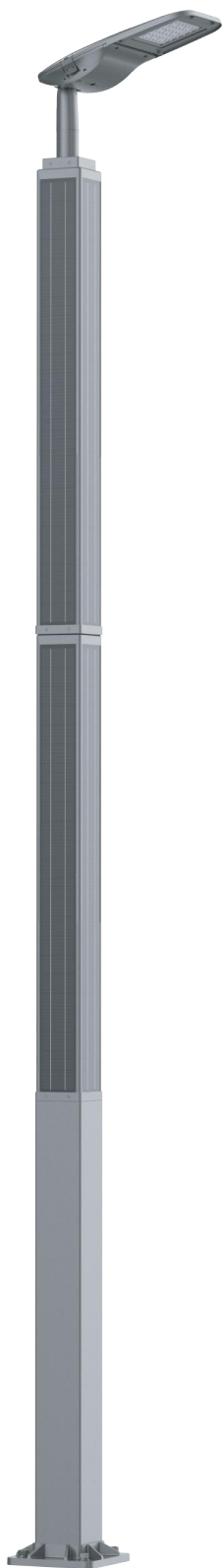
Type LiFePO4
 Capacity 12.8V, 30Ah*2PCS
 Cycle Life 2000 Times
 Charging Time Continuous 2 Sunny Days (Average 6Hrs Per Day)
 Discharging Time Continuous 3 Cloudy Days (Average 12Hrs Per Day)

WORKING MODE



Note: Working modes can be customized based on local environment.





1:4
BASE PLATE

Specifications

Total Height 5000/6000 MM

POLE

Pole Material Aluminium 6063-T6
 Surface Treatment Metal powder spraying
 Pole Dimension 172 X 172 MM
 Wall Thickness 3 MM
 Warranty 10 Years

LED LIGHT

Luminaire Power 40W
 Efficacy 180LM/W
 Lumen Output 7200LM
 LED Chips Lumileds 3030
 Colour Temperature 3000K/4000K/5000K
 Ingress Protection Rate IP65
 LED Lifespan 50,000Hrs
 Light Distribution T2, T3, T4, T5
 Operating Temperature -30~50C
 Warranty 5 Years

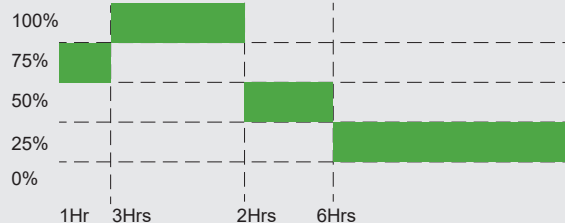
SOLAR MODULE

Module Qty 2 Modules
 Technology Monocrystalline silicon
 Power 18V, 148W x 2
 Efficiency >22%
 Dimensions 172 x 172 x 1585MM
 Warranty 10 Years

BATTERY

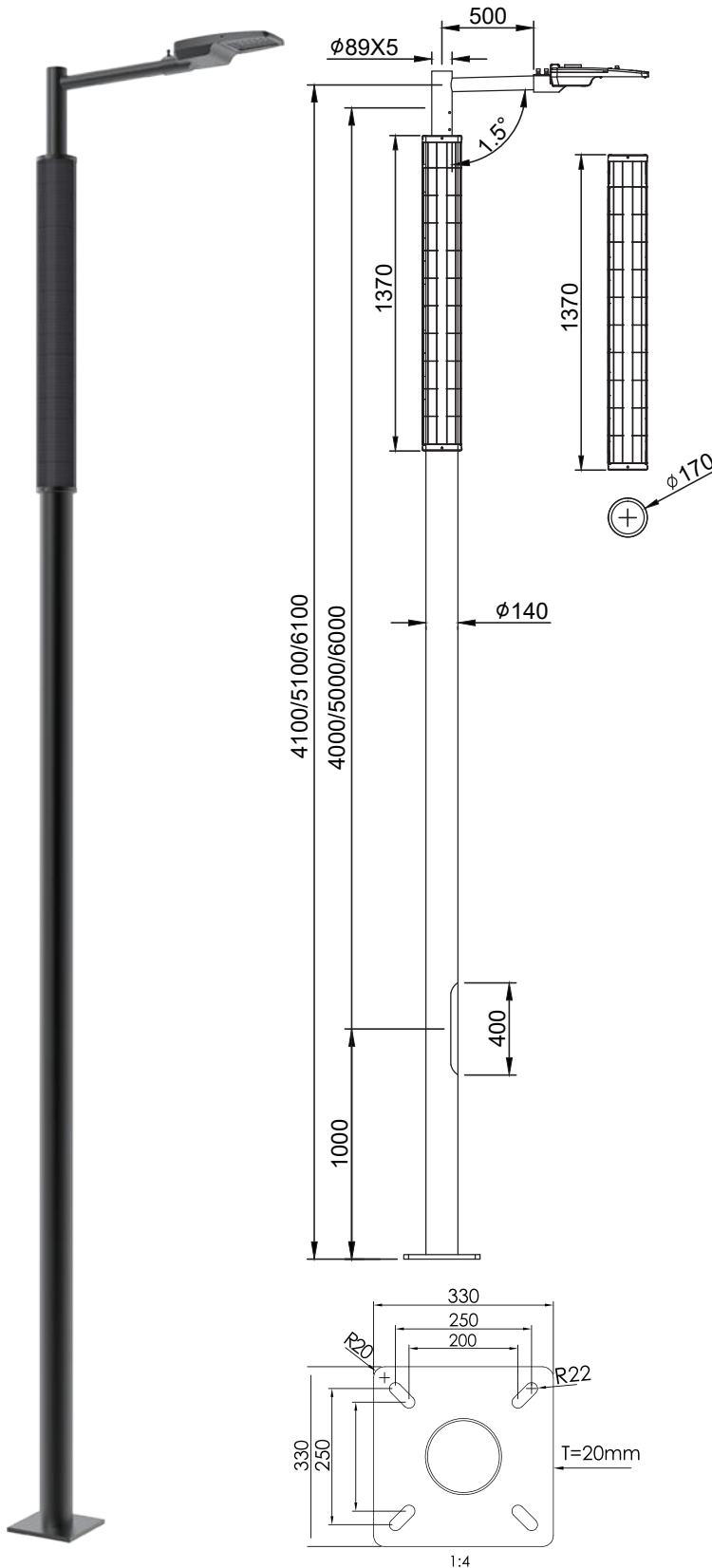
Type LiFePO4
 Capacity 12.8V, 30Ah*2PCS
 Cycle Life 2000 Times
 Charging Time Continuous 2 Sunny Days (Average 6Hrs Per Day)
 Discharging Time Continuous 3 Cloudy Days (Average 12Hrs Per Day)

WORKING MODE



Note: Working modes can be customized based on local environment.





Specifications

Total Height 4100/5100/6100 MM

POLE

Pole Material Steel Q235
 Surface Treatment Metal powder spraying
 Pole Diameter ϕ 140 MM
 Wall Thickness 4 MM
 Warranty 10 Years

LED LIGHT

Luminaire Power 20W
 Efficacy 180LM/W
 Lumen Output 3600LM
 LED Chips Lumileds 3030
 Colour Temperature 3000K/4000K/5000K
 Ingress Protection Rate IP65
 LED Lifespan 50,000Hrs
 Light Distribution T2, T3, T4, T5
 Operating Temperature -30~50C
 Warranty 5 Years

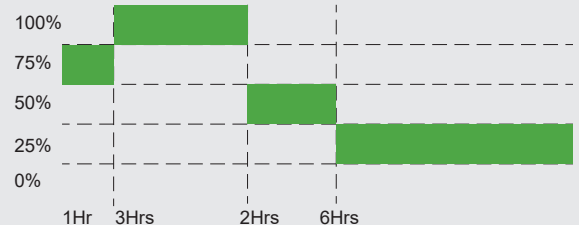
SOLAR MODULE

Module Qty 1 Module
 Module Type Circular Sleeved
 Technology Flexible HJT
 Power 18V, 100W
 Efficiency >24%
 Dimensions ϕ 170x1370 MM
 Warranty 10 Years

BATTERY

Type LiFePO4
 Capacity 12.8V, 30Ah
 Cycle Life 2000 Times
 Charging Time Continuous 2 Sunny Days
 (Average 6Hrs Per Day)
 Discharging Time Continuous 3 Cloudy Days
 (Average 12Hrs Per Day)

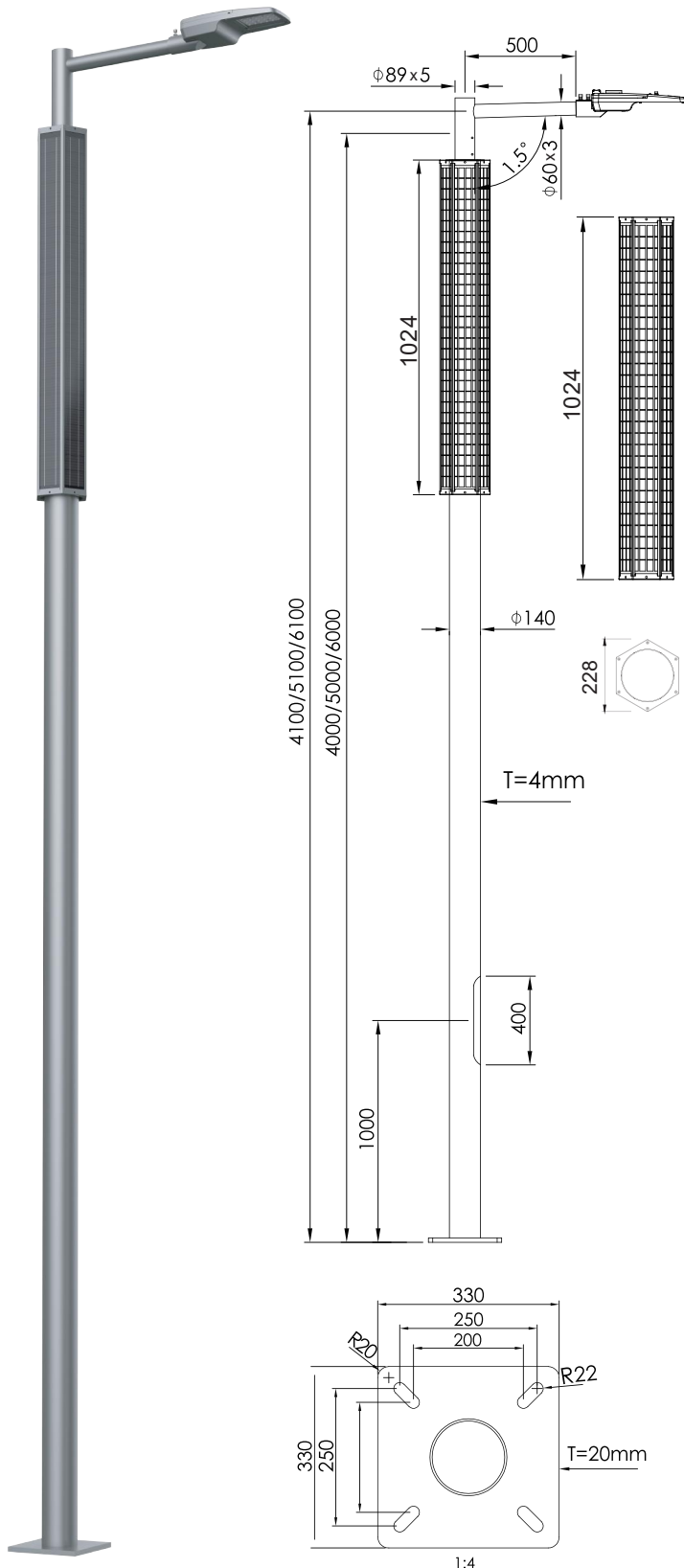
WORKING MODE



Note: Working modes can be customized based on local environment.

Note: Sectional Circular Module Type.





Note: Sectional Hexagonal Module Type.

Specifications

Total Height 4100/5100/6100 MM

POLE

Pole Material Steel Q235
 Surface Treatment Metal powder spraying
 Pole Diameter φ140 MM
 Wall Thickness 4 MM
 Warranty 10 Years

LED LIGHT

Luminaire Power 20W
 Efficacy 180LM/W
 Lumen Output 3600LM
 LED Chips Lumileds 3030
 Colour Temperature 3000K/4000K/5000K
 Ingress Protection Rate IP65
 LED Lifespan 50,000Hrs
 Light Distribution T2, T3, T4, T5
 Operating Temperature -30~50C
 Warranty 5 Years

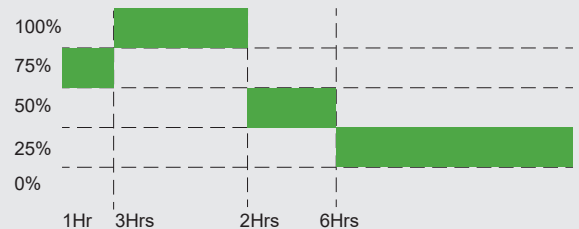
SOLAR MODULE

Module Qty 1 Module
 Module Type Hexagonal Sleeved
 Technology Monocrystalline silicon
 Power 18V, 100W
 Efficiency >22%
 Dimensions φ228x1024 MM
 Warranty 10 Years

BATTERY

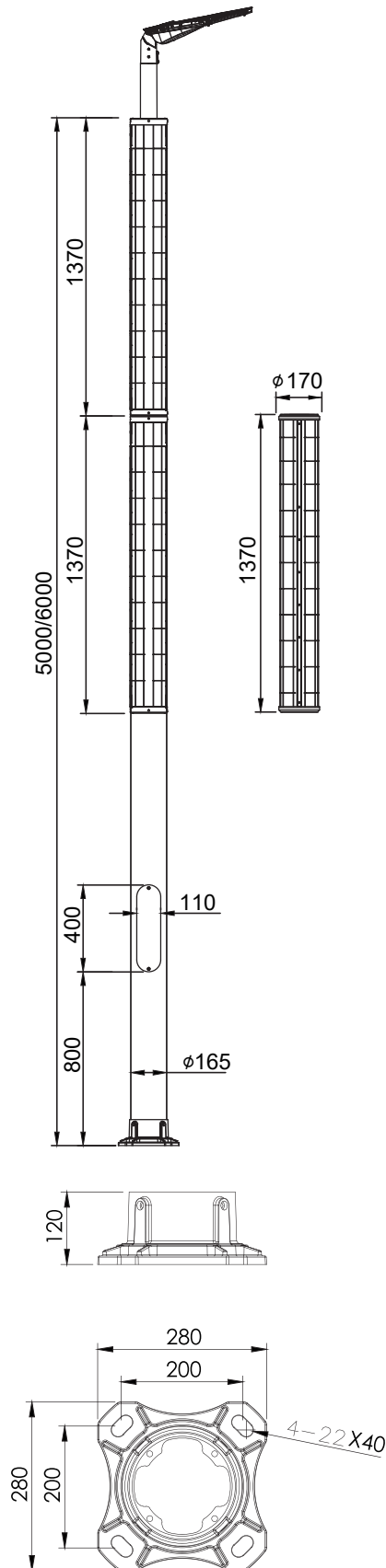
Type LiFePO4
 Capacity 12.8V, 30Ah
 Cycle Life 2000 Times
 Charging Time Continuous 2 Sunny Days (Average 6Hrs Per Day)
 Discharging Time Continuous 3 Cloudy Days (Average 12Hrs Per Day)

WORKING MODE



Note: Working modes can be customized based on local environment.





Note: Sectional Hexagonal Module Type.

Specifications

Total Height 5000/6000 MM

POLE

Pole Material Aluminium 6063-T6
 Surface Treatment Metal powder spraying
 Pole Diameter ϕ 165 MM
 Wall Thickness 3.5 MM
 Warranty 10 Years

LED LIGHT

Luminaire Power 40W
 Efficacy 180LM/W
 Lumen Output 7200LM
 LED Chips Lumileds 3030
 Colour Temperature 3000K/4000K/5000K
 Ingress Protection Rate IP65
 LED Lifespan 50,000Hrs
 Light Distribution T2, T3, T4, T5
 Operating Temperature -30~50C
 Warranty 5 Years

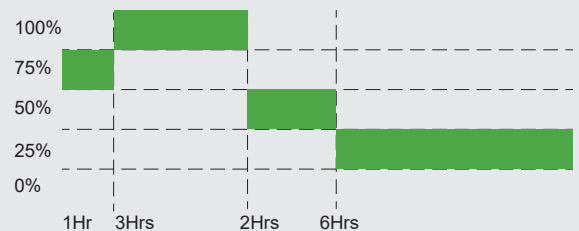
SOLAR MODULE

Module Qty 2 Modules
 Module Type Circular Sleeved
 Technology Flexible HJT
 Power 18V, 100W x 2
 Efficiency >24%
 Dimensions ϕ 170x1370 MM
 Warranty 10 Years

BATTERY

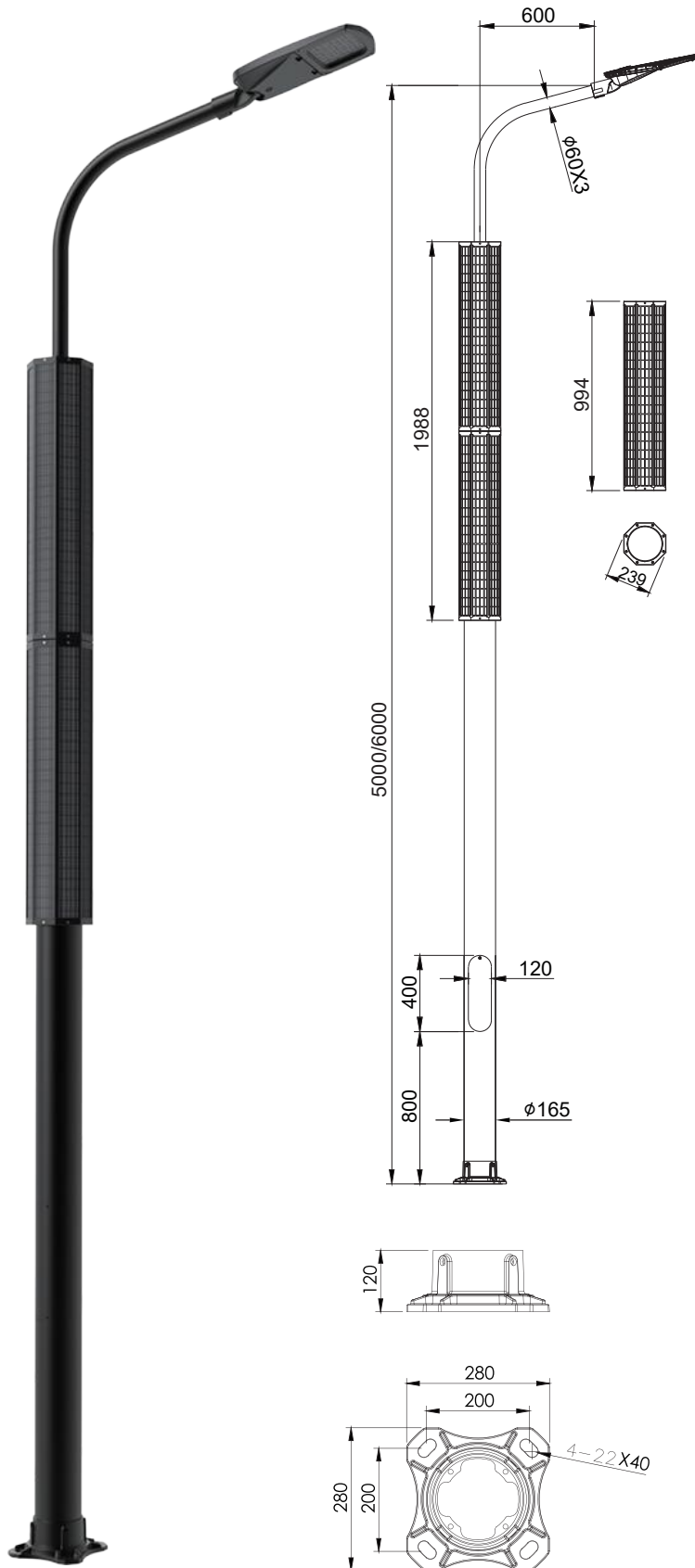
Type LiFePO4
 Capacity 12.8V, 30Ah*2PCS
 Cycle Life 2000 Times
 Charging Time Continuous 2 Sunny Days (Average 6Hrs Per Day)
 Discharging Time Continuous 3 Cloudy Days (Average 12Hrs Per Day)

WORKING MODE



Note: Working modes can be customized based on local environment.





Specifications

Total Height 10000 MM

POLE

Pole Material Aluminium 6063-T6
 Surface Treatment Metal powder spraying
 Pole Diameter ϕ 165 MM
 Wall Thickness 3.5 MM
 Warranty 10 Years

LED LIGHT

Luminaire Power 40W
 Efficacy 180LM/W
 Lumen Output 7200LM
 LED Chips Lumileds 3030
 Colour Temperature 3000K/4000K/5000K
 Ingress Protection Rate IP65
 LED Lifespan 50,000Hrs
 Light Distribution T2, T3, T4, T5
 Operating Temperature -30~50C
 Warranty 5 Years

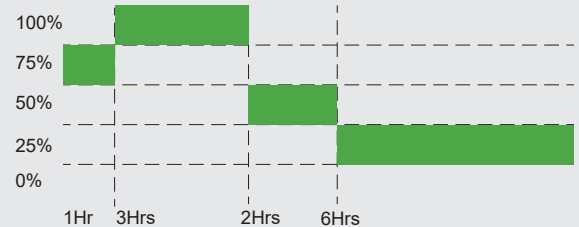
SOLAR MODULE

Module Qty 2 Modules
 Module Type Hexagonal Sleeved
 Technology Monocrystalline silicon
 Power 18V, 100W x 2
 Efficiency >22%
 Dimensions 239 x 994MM
 Warranty 10 Years

BATTERY

Type LiFePO4
 Capacity 12.8V 30AH*2PCS
 Cycle Life 2000 Times
 Charging Time Continuous 2 Sunny Days (Average 6Hrs Per Day)
 Discharging Time Continuous 3 Cloudy Days (Average 12Hrs Per Day)

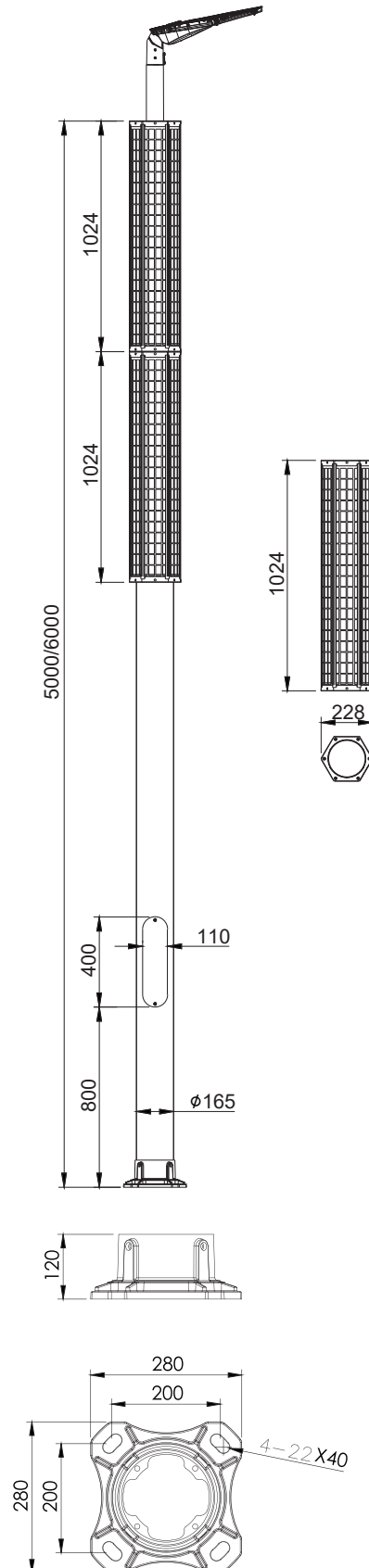
WORKING MODE



Note: Working modes can be customized based on local environment.

Note: Sectional Hexagonal Module Type.





Specifications

Total Height	5000/6000 MM
--------------	--------------

POLE

Pole Material	Aluminium 6063-T6
Surface Treatment	Metal powder spraying
Pole Diameter	φ165 MM
Wall Thickness	3.5 MM
Warranty	10 Years

LED LIGHT

Luminaire Power	40W
Efficacy	180LM/W
Lumen Output	7200LM
LED Chips	Lumileds 3030
Colour Temperature	3000K/4000K/5000K
Ingress Protection Rate	IP65
LED Lifespan	50,000Hrs
Light Distribution	T2, T3, T4, T5
Operating Temperature	-30~50C
Warranty	5 Years

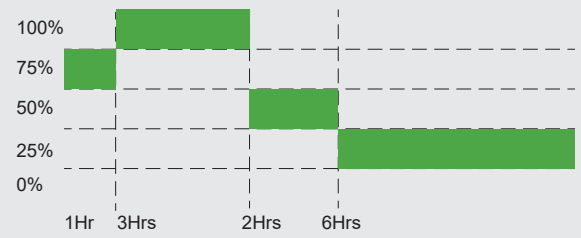
SOLAR MODULE

Module Qty	2 Modules
Module Type	Hexagonal Sleeved
Technology	Monocrystalline silicon
Power	18V, 100W x 2
Efficiency	>22%
Dimensions	228 x 1024MM
Warranty	10 Years

BATTERY

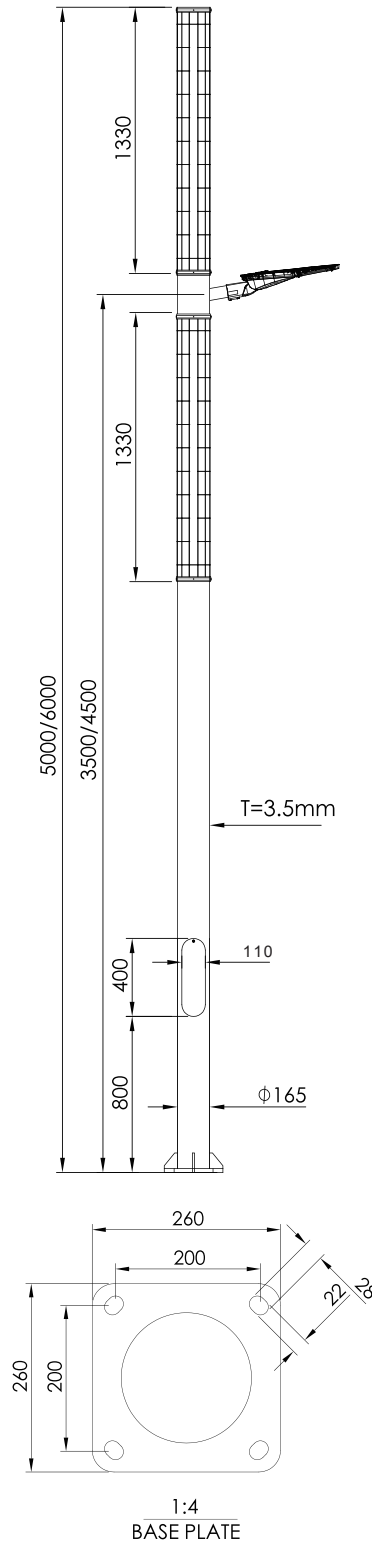
Type	LiFePO4
Capacity	12.8V, 30Ah x 2PCS
Cycle Life	2000 Times
Charging Time	Continuous 2 Sunny Days (Average 6Hrs Per Day)
Discharging Time	Continuous 3 Cloudy Days (Average 12Hrs Per Day)

WORKING MODE



Note: Working modes can be customized based on local environment.





Specifications

Total Height 5000/6000 MM

POLE

Pole Material Aluminium 6063-T6
 Surface Treatment Metal powder spraying
 Pole Diameter $\phi 165$ MM
 Wall Thickness 3.5 MM
 Warranty 10 Years

LED LIGHT

Luminaire Power 40W
 Efficacy 180LM/W
 Lumen Output 7200LM
 LED Chips Lumileds 3030
 Colour Temperature 3000K/4000K/5000K
 Ingress Protection Rate IP65
 LED Lifespan 50,000Hrs
 Light Distribution T2, T3, T4, T5
 Operating Temperature -30~50C
 Warranty 5 Years

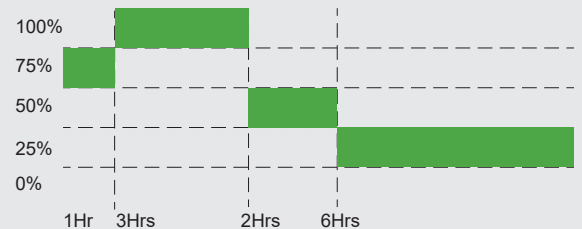
SOLAR MODULE

Module Qty 2 Modules
 Module Type Built-in
 Technology Flexible HJT
 Power 18V, 100W x 2
 Efficiency >24%
 Dimensions $\phi 165 \times 2660$ MM
 Warranty 10 Years

BATTERY

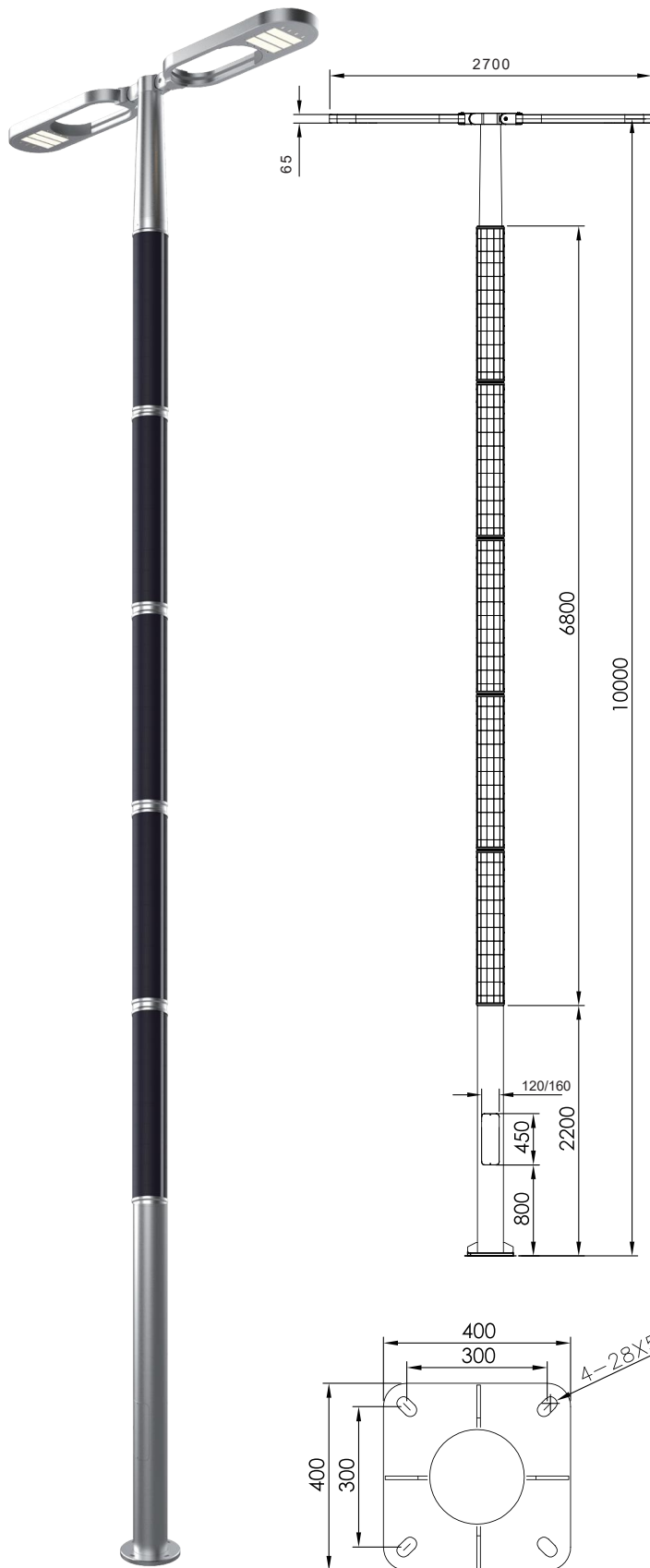
Type LiFePO4
 Capacity 12.8V, 30Ah*2 PCS
 Cycle Life 2000 Times
 Charging Time Continuous 2 Sunny Days (Average 6Hrs Per Day)
 Discharging Time Continuous 3 Cloudy Days (Average 12Hrs Per Day)

WORKING MODE



Note: Working modes can be customized based on local environment.





Specifications

Total Height 10000 MM

POLE

Pole Material Aluminium 6063-T6
 Surface Treatment Metal powder spraying
 Pole Diameter ϕ 203MM/230MM
 Wall Thickness 4.8MM/5MM
 Warranty 10 Years

LED LIGHT

Luminaire Power 45W*2/60W*2
 Efficacy 180LM/W
 Lumen Output 8100LM*2/10800LM*2
 LED Chips Lumileds 3030
 Colour Temperature 3000K/4000K/5000K
 Ingress Protection Rate IP65
 LED Lifespan 50,000Hrs
 Light Distribution T2, T3, T4, T5
 Operating Temperature -30~50C
 Warranty 5 Years

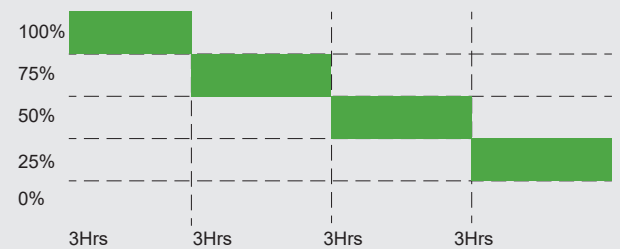
SOLAR MODULE

Module Qty 5 Modules
 Module Type Built-in
 Technology Flexible HJT
 Power 18V/36V, 120/140W x 5
 Efficiency >24%
 Dimensions ϕ 203x6800MM/ ϕ 230x6800MM
 Warranty 10 Years

BATTERY

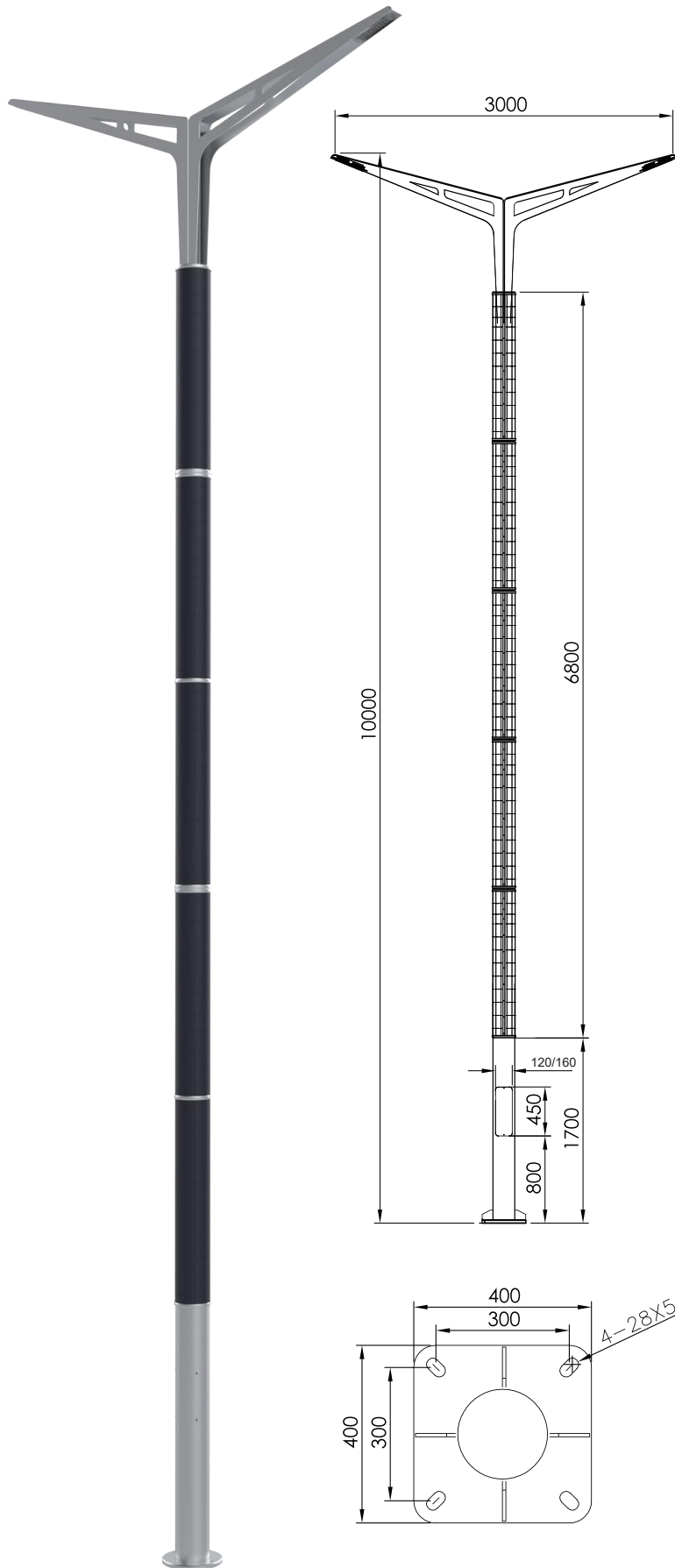
Type LiFePO4
 Capacity 12.8V 52AH*3PCS / 25.6V 52AH*2PCS
 Cycle Life 2000 Times
 Charging Time Continuous 2 Sunny Days (Average 6Hrs Per Day)
 Discharging Time Continuous 3 Cloudy Days (Average 12Hrs Per Day)

WORKING MODE



Note: Working modes can be customized based on local environment.





Specifications

Total Height	10000 MM
--------------	----------

POLE

Pole Material	Aluminium 6063-T6
Surface Treatment	Metal powder spraying
Pole Diameter	φ203MM/230MM
Wall Thickness	4.8MM/5MM
Warranty	10 Years

LED LIGHT

Luminaire Power	45W*2/60W*2
Efficacy	180LM/W
Lumen Output	8100LM*2/10800LM*2
LED Chips	Lumileds 3030
Colour Temperature	3000K/4000K/5000K
Ingress Protection Rate	IP65
LED Lifespan	50,000Hrs
Light Distribution	T2, T3, T4, T5
Operating Temperature	-30~50C
Warranty	5 Years

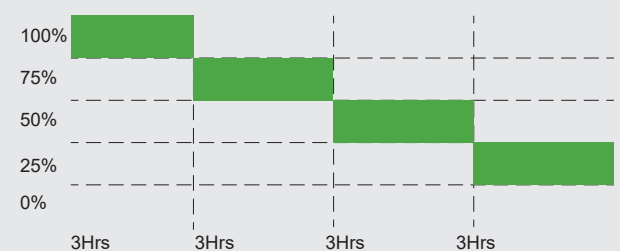
SOLAR MODULE

Module Qty	5 Modules
Module Type	Built-in
Technology	Flexible HJT
Power	18V/36V, 120/140W x 5
Efficiency	>24%
Dimensions	φ203x6800MM/φ230x6800MM
Warranty	10 Years

BATTERY

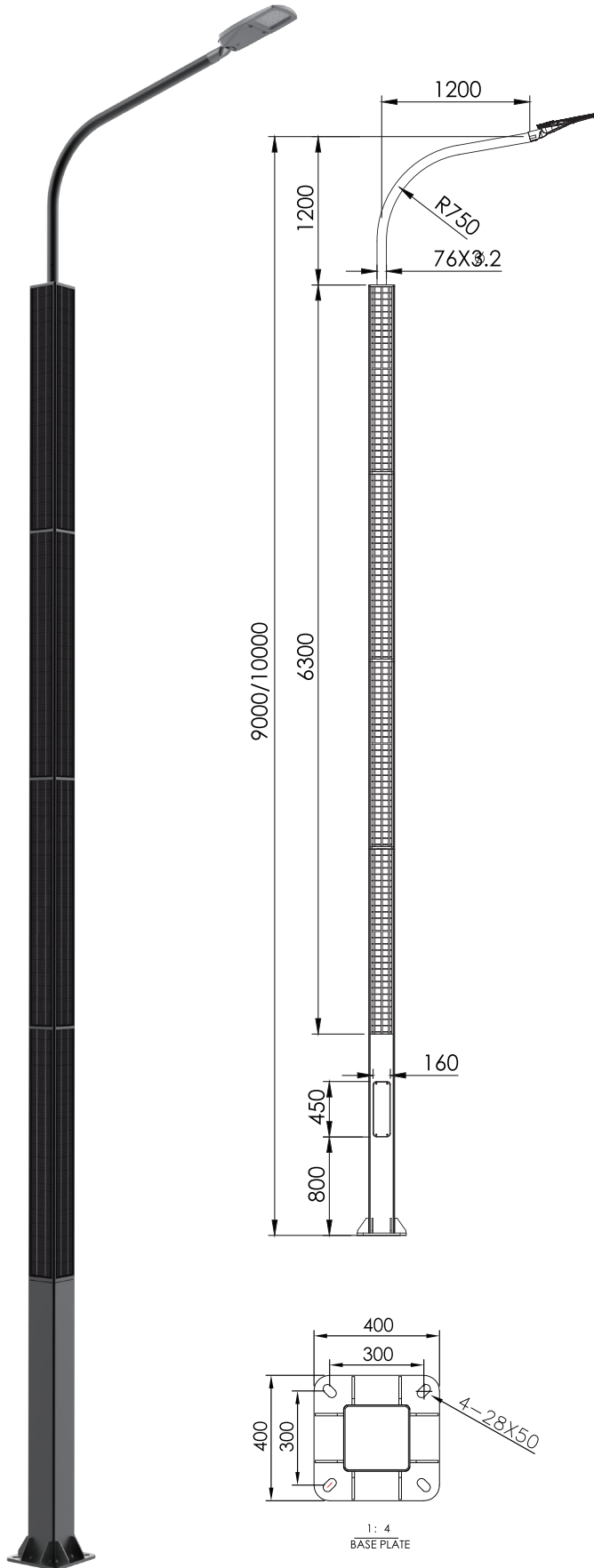
Type	LiFePO4
Capacity	12.8V 52AH*3PCS / 25.6V 52AH*2PCS
Cycle Life	2000 Times
Charging Time	Continuous 2 Sunny Days (Average 6Hrs Per Day)
Discharging Time	Continuous 3 Cloudy Days (Average 12Hrs Per Day)

WORKING MODE



Note: Working modes can be customized based on local environment.





Specifications

Total Height 9000/10000 MM

POLE

Pole Material Aluminium 6063-T6
 Surface Treatment Metal powder spraying
 Pole Dimension 210 x 210 MM
 Wall Thickness 4 MM
 Warranty 10 Years

LED LIGHT

Luminaire Power 120W
 Efficacy 180LM/W
 Lumen Output 21600LM
 LED Chips Lumileds 3030
 Colour Temperature 3000K/4000K/5000K
 Ingress Protection Rate IP65
 LED Lifespan 50,000Hrs
 Light Distribution T2, T3, T4, T5
 Operating Temperature -30~50C
 Warranty 5 Years

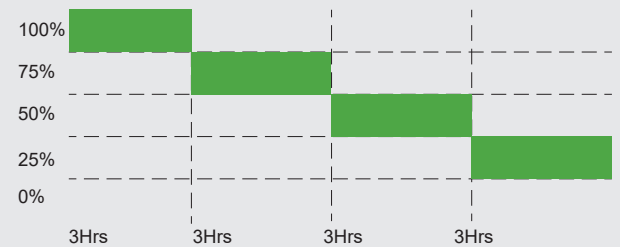
SOLAR MODULE

Module Qty 16 Modules
 Technology Monocrystalline silicon
 Power 36V, 50W x 16
 Efficiency >22%
 Dimensions 210 x 210 x 6300MM
 Warranty 10 Years

BATTERY

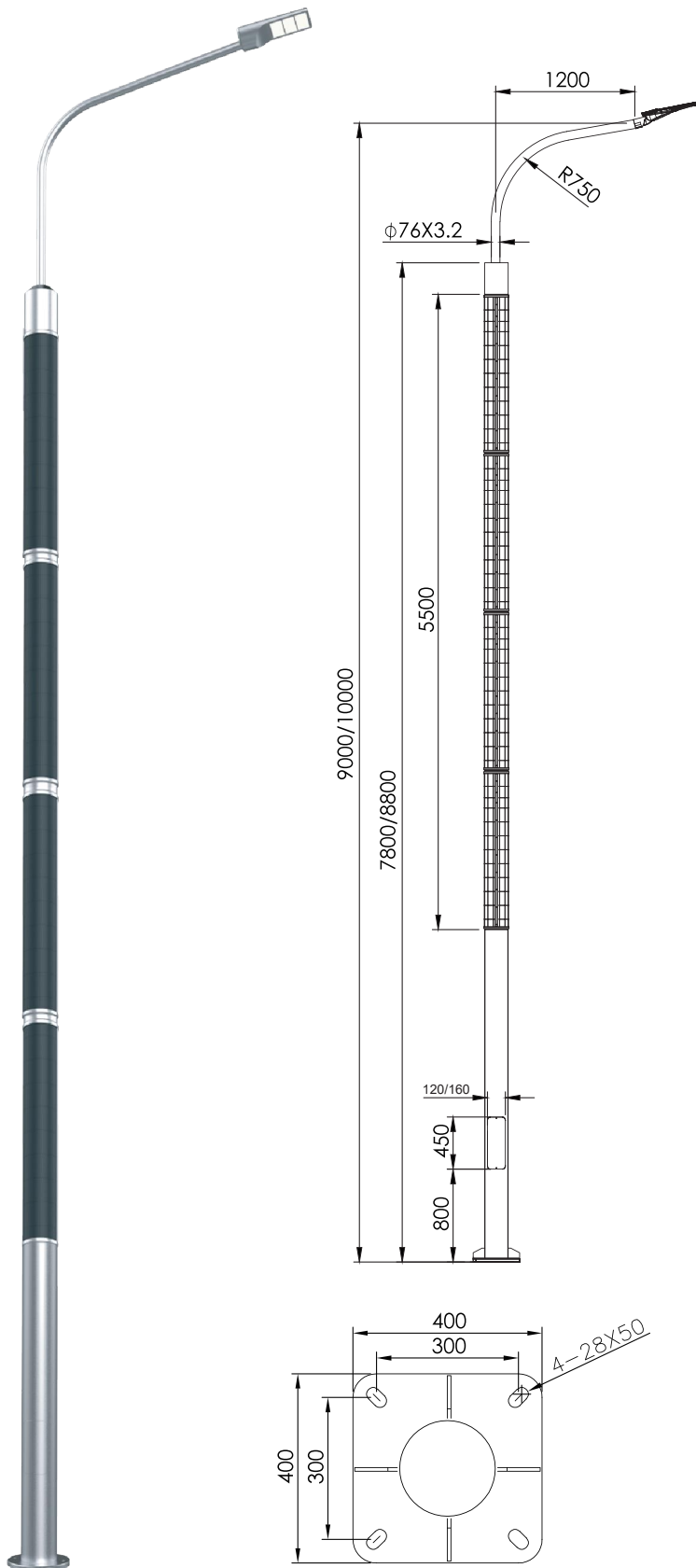
Type LiFePO4
 Capacity 25.6V, 52Ah*2PCS
 Cycle Life 2000 Times
 Charging Time Continuous 2 Sunny Days (Average 6Hrs Per Day)
 Discharging Time Continuous 3 Cloudy Days (Average 12Hrs Per Day)

WORKING MODE



Note: Working modes can be customized based on local environment.





Specifications

Total Height	9000/10000 MM
--------------	---------------

POLE

Pole Material	Aluminium 6063-T6
Surface Treatment	Metal powder spraying
Pole Diameter	φ203 MM/230 MM
Wall Thickness	4.8MM/5MM
Warranty	10 Years

LED LIGHT

Luminaire Power	90W/120W
Efficacy	180LM/W
Lumen Output	16200LM/21600LM
LED Chips	Lumileds 3030
Colour Temperature	3000K/4000K/5000K
Ingress Protection Rate	IP65
LED Lifespan	50,000Hrs
Light Distribution	T2, T3, T4, T5
Operating Temperature	-30~50C
Warranty	5 Years

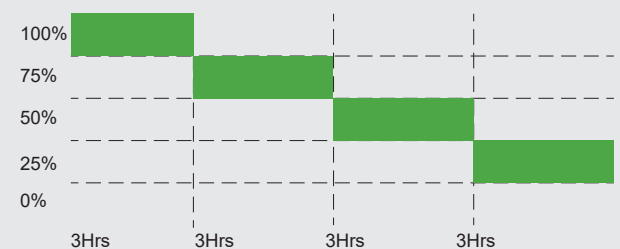
SOLAR MODULE

Module Qty	4 Modules
Module Type	Built-in
Technology	Flexible HJT
Power	18V/36V, 120W/140W x 4
Efficiency	>24%
Dimensions	φ203x5500MM/φ230x5500MM
Warranty	10 Years

BATTERY

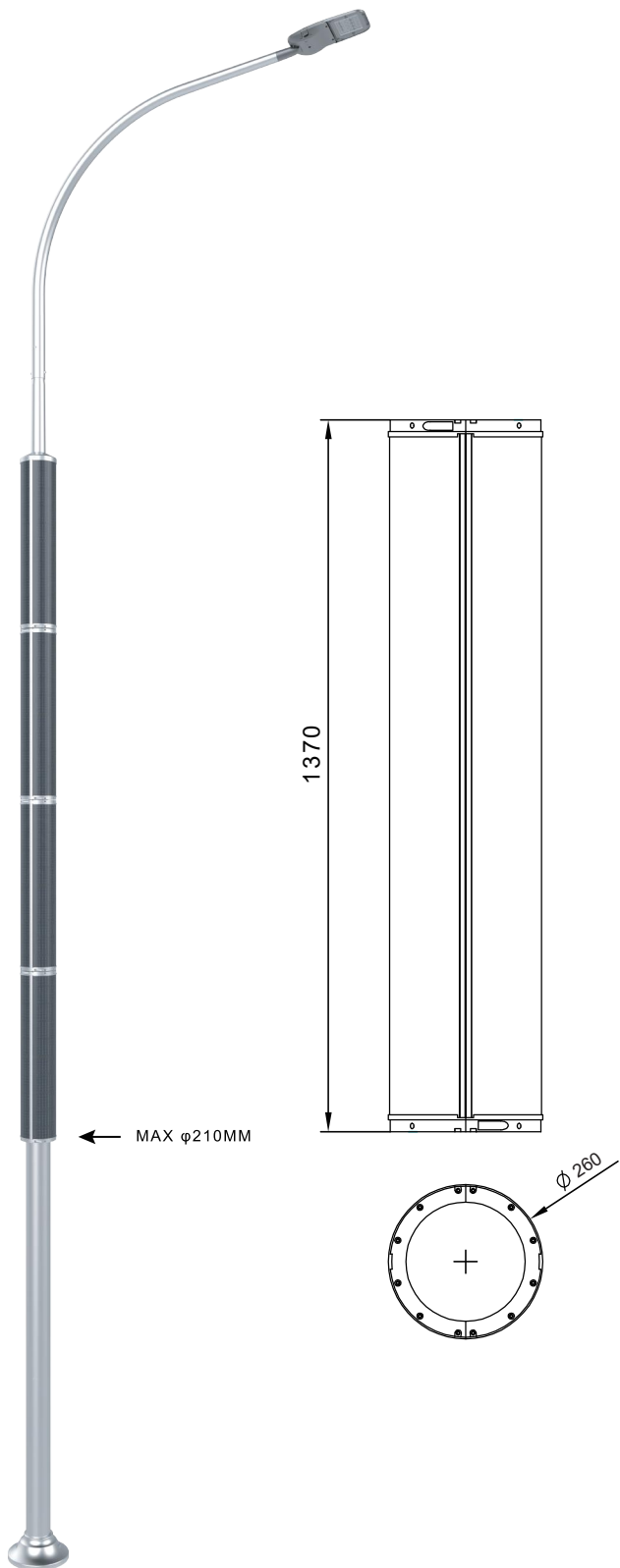
Type	LiFePO4
Capacity	12.8V 52AH*3PCS / 25.6V 52AH*2PCS
Cycle Life	2000 Times
Charging Time	Continuous 2 Sunny Days (Average 6Hrs Per Day)
Discharging Time	Continuous 3 Cloudy Days (Average 12Hrs Per Day)

WORKING MODE



Note: Working modes can be customized based on local environment.





Specifications

Total Height 10000 MM

POLE

Pole Material Aluminium 6063-T6
 Surface Treatment Metal powder spraying
 Pole Diameter ϕ 152-230 MM (Top-Bottom)
 Wall Thickness 4.8 MM
 Warranty 10 Years

LED LIGHT

Luminaire Power 100W
 Efficacy 180LM/W
 Lumen Output 18000LM
 LED Chips Lumileds 3030
 Colour Temperature 3000K/4000K/5000K
 Ingress Protection Rate IP65
 LED Lifespan 50,000Hrs
 Light Distribution T2, T3, T4, T5
 Operating Temperature -30~50C
 Warranty 5 Years

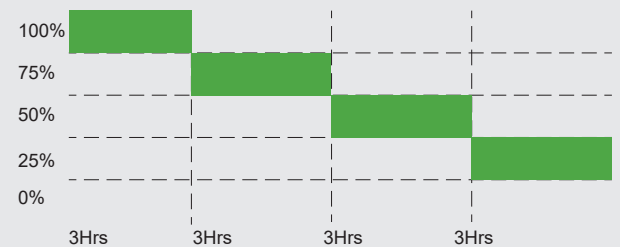
SOLAR MODULE

Module Qty 4 Modules
 Module Type Two-pieces
 Technology Flexible HJT
 Power 36V, 160W x 4
 Efficiency >24%
 Dimensions ϕ 260x1370 MM
 Warranty 10 Years

BATTERY

Type LiFePO4
 Capacity 25.6V 52AH*2PCS
 Cycle Life 2000 Times
 Charging Time Continuous 2 Sunny Days (Average 6Hrs Per Day)
 Discharging Time Continuous 3 Cloudy Days (Average 12Hrs Per Day)

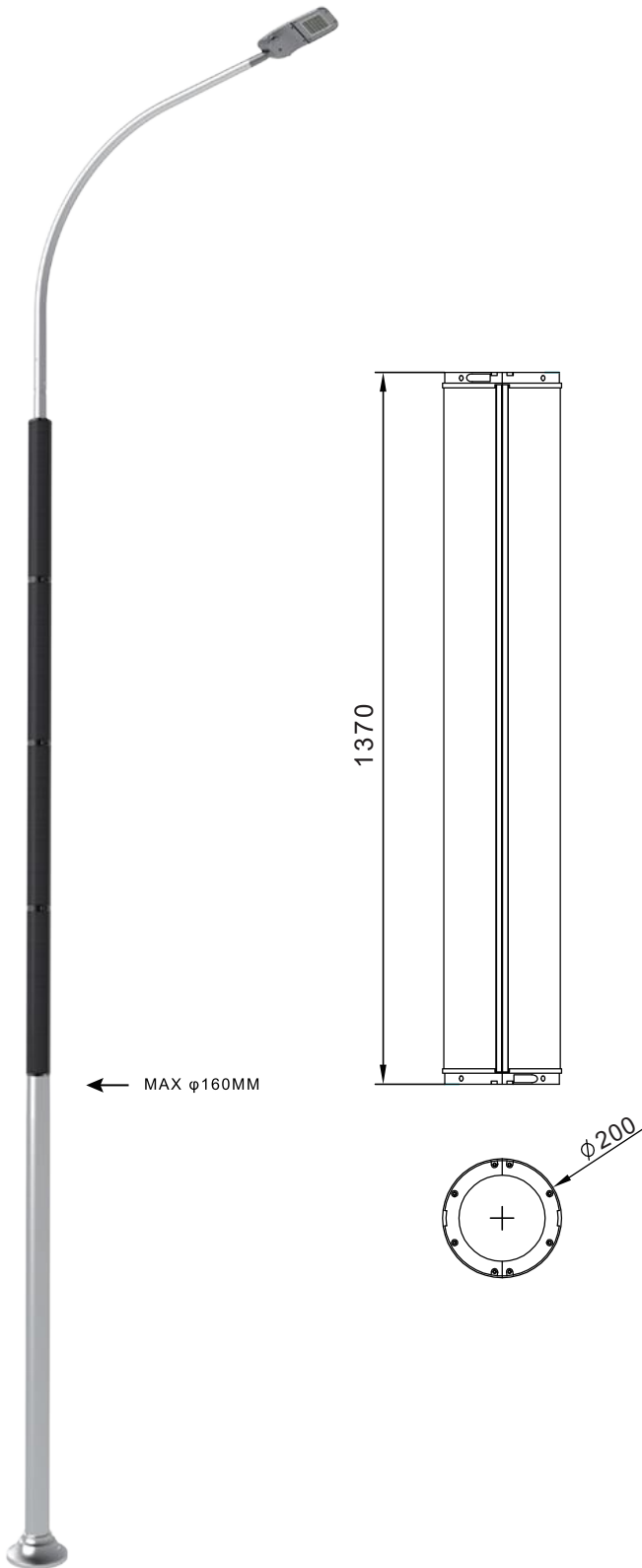
WORKING MODE



Note: Working modes can be customized based on local environment.



29 9



Specifications

Total Height 8000 MM

POLE

Pole Material Aluminium 6063-T6
 Surface Treatment Metal powder spraying
 Pole Diameter ϕ 114-178 MM (Top-Bottom)
 Wall Thickness 4.8 MM
 Warranty 10 Years

LED LIGHT

Luminaire Power 90W
 Efficacy 180LM/W
 Lumen Output 16200LM
 LED Chips Lumileds 3030
 Colour Temperature 3000K/4000K/5000K
 Ingress Protection Rate IP65
 LED Lifespan 50,000Hrs
 Light Distribution T2, T3, T4, T5
 Operating Temperature -30~50C
 Warranty 5 Years

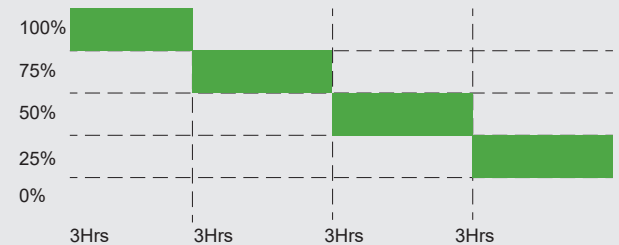
SOLAR MODULE

Module Qty 4 Modules
 Module Type Two-pieces
 Technology Flexible HJT
 Power 18V, 120W x 4
 Efficiency >24%
 Dimensions ϕ 200x1370 MM
 Warranty 10 Years

BATTERY

Type LiFePO4
 Capacity 12.8V, 52Ah x 3PCS
 Cycle Life 2000 Times
 Charging Time Continuous 2 Sunny Days (Average 6Hrs Per Day)
 Discharging Time Continuous 3 Cloudy Days (Average 12Hrs Per Day)

WORKING MODE

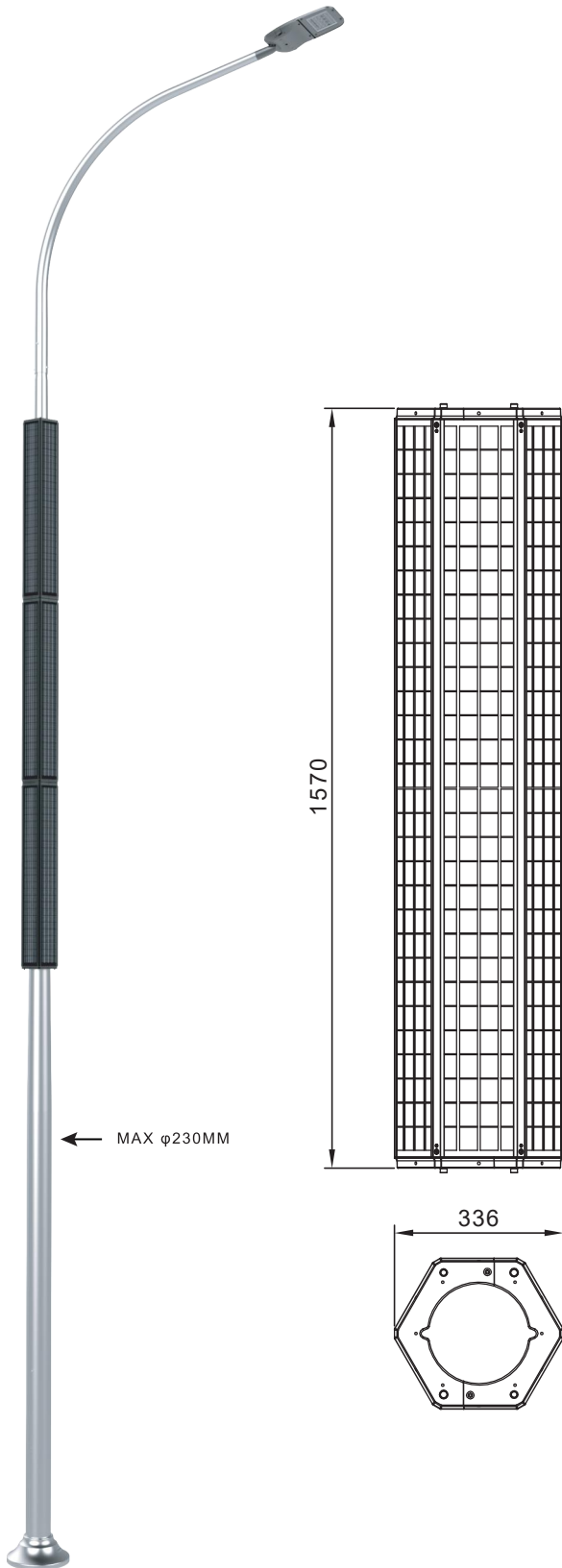


Note: Working modes can be customized based on local environment.



RETROFIT

Hexagonal Module



Specifications

Total Height 10000 MM

POLE

Pole Material Aluminium 6063-T6
 Surface Treatment Metal powder spraying
 Pole Diameter ϕ 152-230 MM (Top-Bottom)
 Wall Thickness 4.8MM
 Warranty 10 Years

LED LIGHT

Luminaire Power 120W
 Efficacy 180LM/W
 Lumen Output 21600LM
 LED Chips Lumileds 3030
 Colour Temperature 3000K/4000K/5000K
 Ingress Protection Rate IP65
 LED Lifespan 50,000Hrs
 Light Distribution T2, T3, T4, T5
 Operating Temperature -30~50C
 Warranty 5 Years

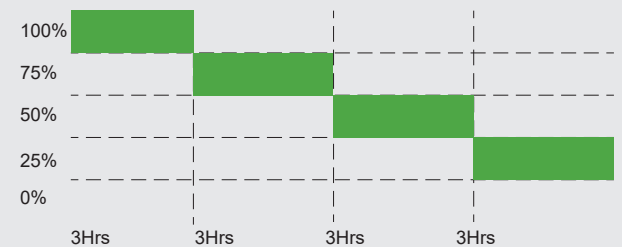
SOLAR MODULE

Module Qty 3 Modules
 Module Type Hexagonal Sectional
 Technology Monocrystalline silicon
 Power 36V, 220W x 3
 Efficiency >22%
 Dimensions 318 x 1570MM
 Warranty 10 Years

BATTERY

Type LiFePO4
 Capacity 25.6V, 52Ah*2PCS
 Cycle Life 2000 Times
 Charging Time Continuous 2 Sunny Days (Average 6Hrs Per Day)
 Discharging Time Continuous 3 Cloudy Days (Average 12Hrs Per Day)

WORKING MODE

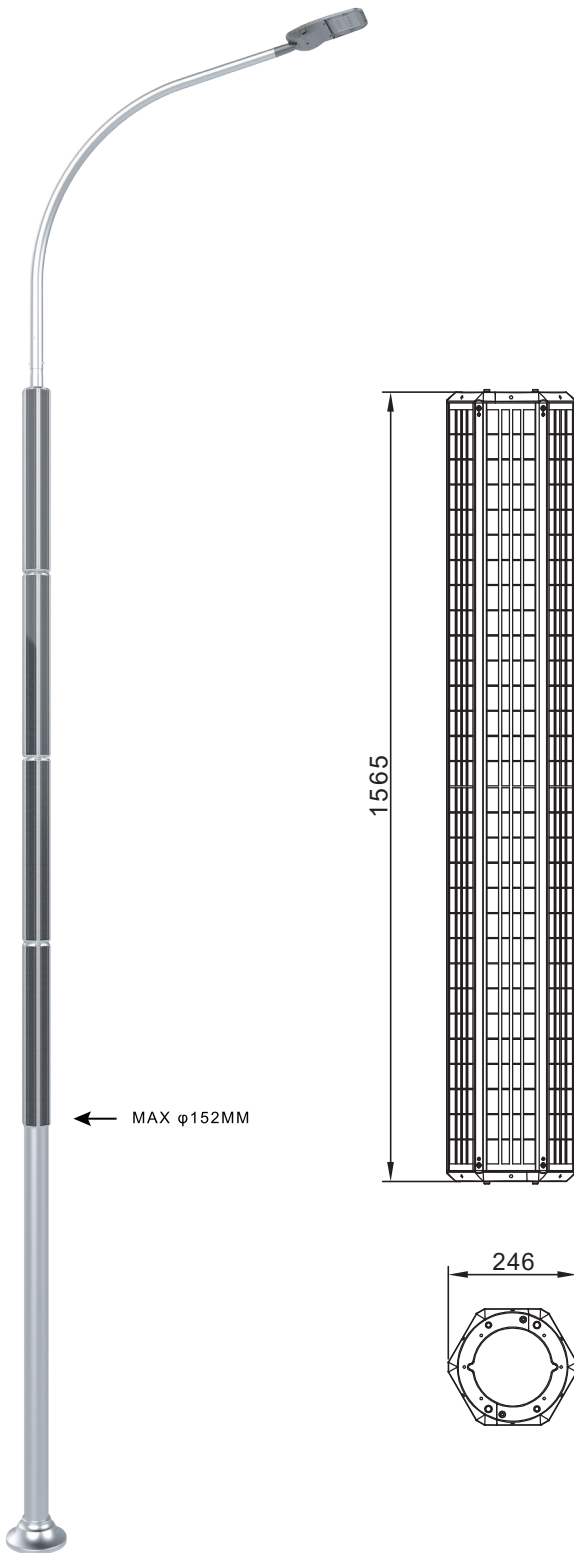


Note: Working modes can be customized based on local environment.



RETROFIT

Hexagonal Module



Specifications

Total Height 10000 MM

POLE

Pole Material Aluminium 6063-T6
 Surface Treatment Metal powder spraying
 Pole Diameter ϕ 114-178 MM (Top-Bottom)
 Wall Thickness 4.8 MM
 Warranty 10 Years

LED LIGHT

Luminaire Power 90W
 Efficacy 180LM/W
 Lumen Output 16200LM
 LED Chips Lumileds 3030
 Colour Temperature 3000K/4000K/5000K
 Ingress Protection Rate IP65
 LED Lifespan 50,000Hrs
 Light Distribution T2, T3, T4, T5
 Operating Temperature -30~50C
 Warranty 5 Years

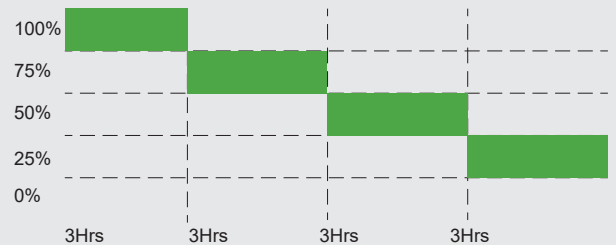
SOLAR MODULE

Module Qty 4 Modules
 Module Type Hexagonal Sectional
 Technology Monocrystalline silicon
 Power 18V, 160W x 4
 Efficiency >22%
 Dimensions 246 x 1565MM
 Warranty 10 Years

BATTERY

Type LiFePO4
 Capacity 12.8V 52AH*3PCS
 Cycle Life 2000 Times
 Charging Time Continuous 2 Sunny Days (Average 6Hrs Per Day)
 Discharging Time Continuous 3 Cloudy Days (Average 12Hrs Per Day)

WORKING MODE

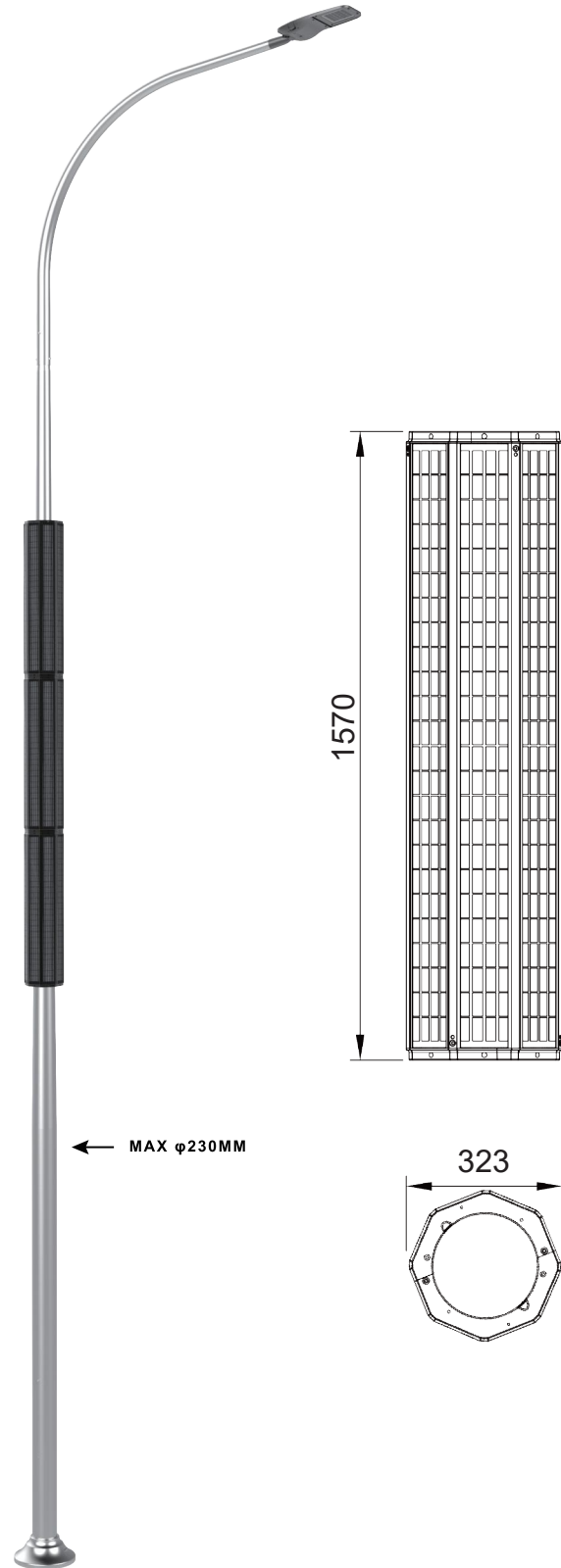


Note: Working modes can be customized based on local environment.



RETROFIT

Octagonal Module



Specifications

Total Height 10000 MM

POLE

Pole Material Aluminium 6063-T6
 Surface Treatment Metal powder spraying
 Pole Diameter ϕ 230 MM
 Wall Thickness 5.0MM
 Warranty 10 Years

LED LIGHT

Luminaire Power 120W
 Efficacy 180LM/W
 Lumen Output 21600LM
 LED Chips Lumileds 3030
 Colour Temperature 3000K/4000K/5000K
 Ingress Protection Rate IP65
 LED Lifespan 50,000Hrs
 Light Distribution T2, T3, T4, T5
 Operating Temperature -30~50C
 Warranty 5 Years

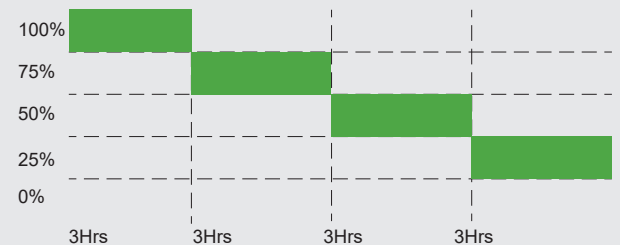
SOLAR MODULE

Module Qty 3 Modules
 Module Type Octagonal Sectional
 Technology Monocrystalline silicon
 Power 36V, 220W x 3
 Efficiency >22%
 Dimensions 323 x 1570MM
 Warranty 10 Years

BATTERY

Type LiFePO4
 Capacity 25.6V, 52Ah*2PCS
 Cycle Life 2000 Times
 Charging Time Continuous 2 Sunny Days (Average 6Hrs Per Day)
 Discharging Time Continuous 3 Cloudy Days (Average 12Hrs Per Day)

WORKING MODE

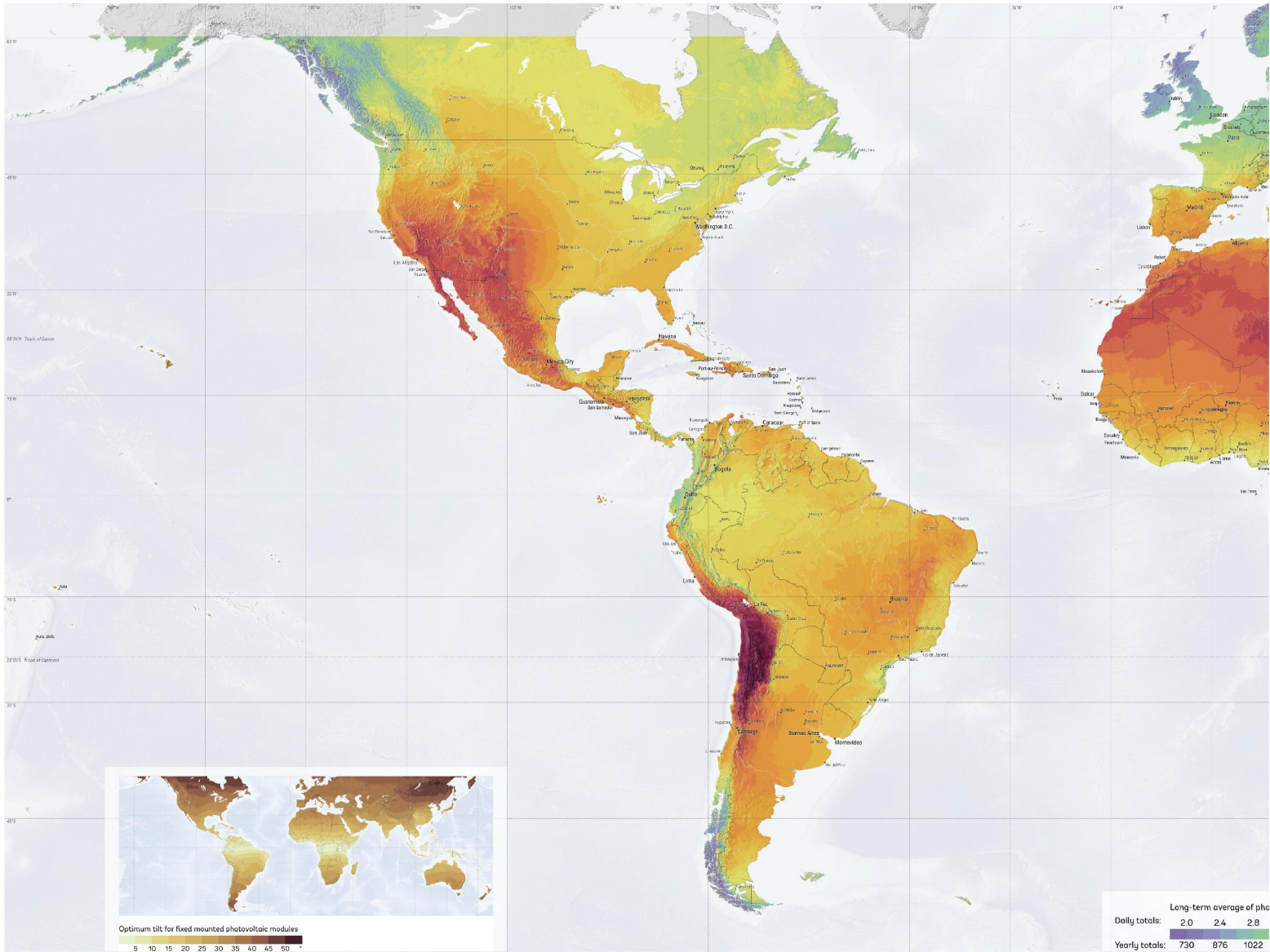


Note: Working modes can be customized based on local environment.



SOLAR RESOURCE MAP

PHOTOVOLTAIC POWER POTENTIAL



ABOUT

The World Bank Group has published this solar resource map using data from the Global Solar Atlas (GSA), to support the scale-up of solar power in our client countries. This work is funded by the Energy Sector Management Assistance Program (ESMAP), a multi-donor trust fund administered by The World Bank and supported by 18 donor partners. It is part of a global ESMAP initiative on Renewable Energy Resource Mapping that covers biomass, hydropower, solar and wind. This map has been prepared by Solargis, under contract to The World Bank, based on a solar resource database that Solargis owns and maintains.

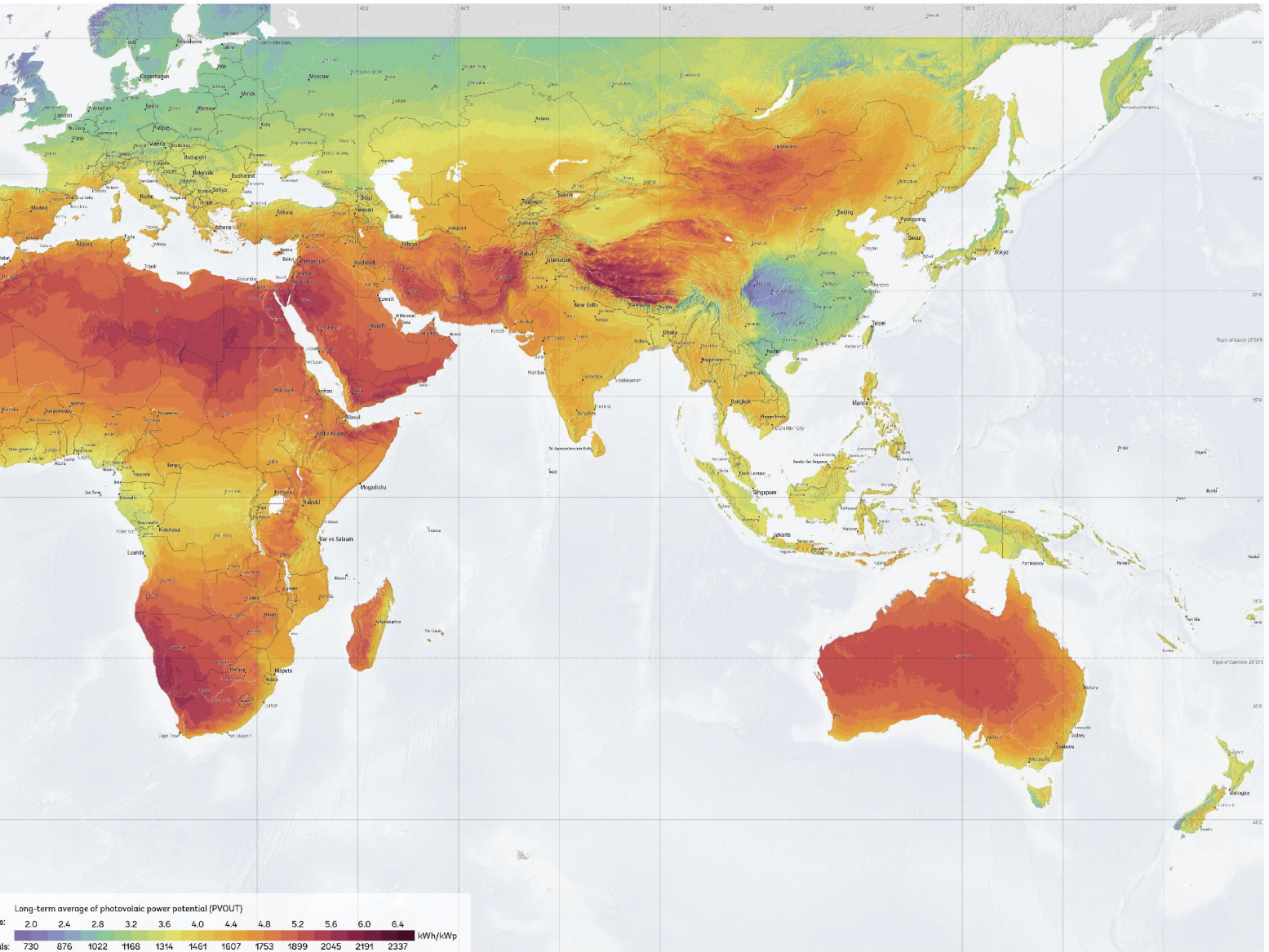
To obtain additional maps and information, please visit:

<http://globalsolaratlas.info>

DESCRIPTION

This solar resource map provides a summary of estimated solar photovoltaic (PV) power generation potential, worldwide, for a 1 kW_{peak} grid-connected solar PV power plant, calculated for a period comprising the most recent years, from 1999 to 2019. The PV system configuration consists of ground-based, free-standing structures with crystalline-silicon PV modules. Use of high efficiency inverters is assumed.

The solar electricity calculation is based on high-resolution solar resource data and PV modeling software provided by Solargis, and terrain, to simulate the energy conversion and losses in the PV modules and other components of a PV power plant. The cumulative effect of other conversion losses (inter-row shading, mismatch, inverters, cables, transformer, etc.) is assumed to be 10%. The underlying solar resource database is calculated from atmospheric and satellite data with a 10-minute, 15-minute and 30-minute resolution.



generation potential, worldwide. It represents the average daily/yearly sum of electricity production from recent years, from 1994/1999/2005/2007/2018 (depending on the geographical region) to 2023. It is based on monocrystalline-silicon PV modules mounted at a fixed position, with optimum tilt to maximize yearly energy yield.

The calculation software provided by Solargis. The calculation takes into account solar radiation, air temperature, humidity, and wind speed. The calculation also takes into account the components of a PV power plant. The calculation takes into account solar radiation, air temperature, and humidity. The calculation also takes into account the components of a PV power plant. In the simulation, losses due to dirt and soiling was estimated to be 3.5%. The losses due to transformer, etc.) is assumed to be 7.5%. The power plant availability is considered to be 100%. The simulation uses a 10-minute, 15-minute and 30-minute time step respectively, and a spatial resolution of 1 km.

Copyright © 2024
THE WORLD BANK
1818 H Street NW, Washington DC 20433, USA

The World Bank, comprising the International Bank for Reconstruction and Development (IBRD) and the International Development Association (IDA), is the commissioning agent and copyright holder for this publication, acting on behalf of The World Bank Group. The publication and the underlying dataset is licensed by The World Bank under a Creative Commons Attribution License (CC BY 4.0 IGO) with a mandatory labeling condition (please refer to the GSA website for full terms and conditions of use <https://globalatlas.info/terms>). Users should cite The World Bank as the data provider, and make reference to ESMAP as the source of funding for this publication.

Map data sources:
Solar resource database and photovoltaic simulation software © 2024 Solargis • Administrative boundaries © 2018 Cartography Unit, GISDPM, World Bank Group • Map data © 2016 OpenStreetMap.org contributors • OpenName.org • Jarvik, A., H.J. Roeder, A. Nilsen, E. Quevara, 2020. High-Resolution SRTM for the globe Version 4, available from the CGIAR-CSI SRTM 90m Database (<http://srtm.csi.cgiar.org>) • Cartography © 2019 Solargis. Please refer to the GSA website for full citations of Map data sources (<https://globalatlas.info/support/>).

Neither the World Bank, Solargis nor any of its partners and affiliates hold the responsibility for the accuracy and/or completeness of the data and shall not be liable for any errors, or omissions. It is strongly advised that the map be linked to use in informing policy discussions on the subject, and/or in creating services that better educate relevant persons on the viability of solar development in areas of interest. As such, neither the World Bank nor any of its partners on the Global Solar Atlas project will be liable for any damages relating to the use of the maps for financial commitments or any similar use cases. Solargis has done its utmost to make an assessment of solar climatic conditions based on the best available data, software, and knowledge.

The boundaries, colors, denominations and any other information shown on this map do not imply, on the part of The World Bank, any judgment on the legal status of any territory, or any endorsement or acceptance of such boundaries.

Source: Global Solar Atlas 2.11 • Solargis database version: 2.2 • Map issue date: 2024-05-30 • Rendered in QGIS