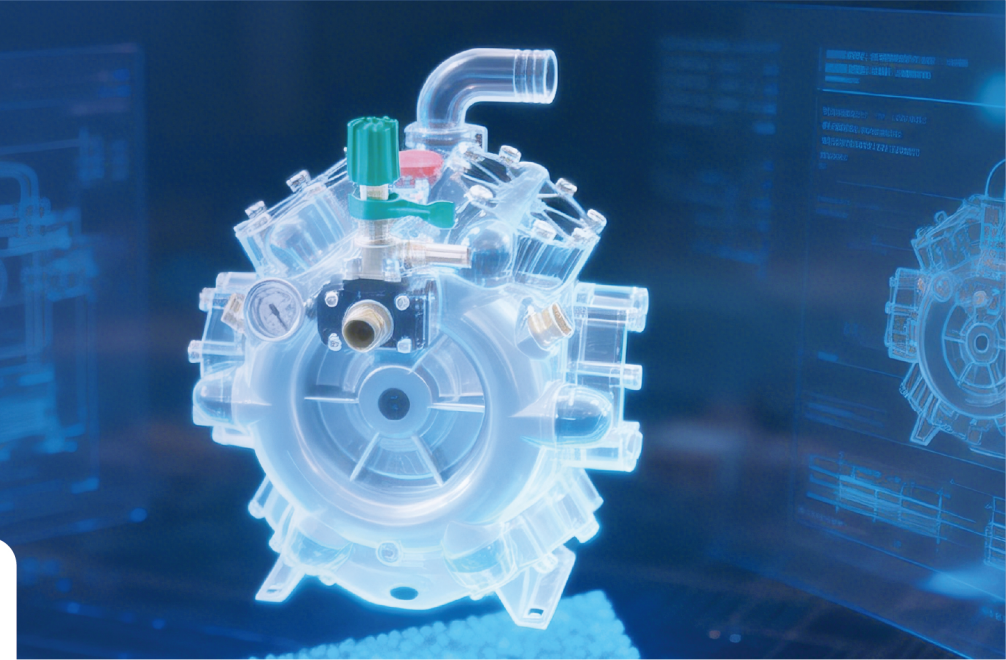




**JSD**



**SHUANGDING**

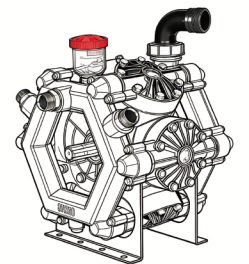
**Professional diaphragm pump  
manufacturer, built for durability**

**JINHUA SHUANGDING MACHINERY CO., LTD.**

-  Building 9, 658 Dongshan Street, Tangxi Town,  
Wucheng District, Jinhua City, Zhejiang Province, China
-  E-mail : 523586663@qq.com
-  Fax : +86-579-82212169
-  Tel : +86-13345901222 / +86-15355797626
-  Off. Web : [www.agriculturaldiaphragmpump.com](http://www.agriculturaldiaphragmpump.com)



**Diaphragm Pump**



**JSD** Our main products are "SHUANGDING", "JIN SHUANG DING" "A-FAMERY" and "BAIXIN" brand series products.

# ABOUT US

With 14 years of professional experience, we are committed to creating durable PTO diaphragm pumps and precision spraying systems with a field life of over 1000 hours.



Innovation



Research



Production

## SHUANGDING Machinery

Based on quality, pursuing excellence, and building a reliable brand.

Jinhua Shuangding Machinery Co., Ltd. was founded in 2011, specializing in the development Manufacture and sales of the brand "SHANG DING", "JIN SHUANG DING", "A-FARMERY" and "BAIXIN" series of PTO diaphragm pumps, spray nozzles, spray pipes, control regulators that match different power equipment (such as electric motor, diesel engine, gasoline engine, tractor, and motor vehicle, etc) to form various models of sprayer.

Since our establishment, we have devoted ourselves to developing various PTO diaphragm pumps, spray nozzle sets, filters, and control regulators. Based on advanced technology and scientific management, a modern production line, complete test equipment, and a quality control system, our product quality improves. The products are well sold all over the domestic market and also exported to Europe, Africa, Southeast Asia, and other countries all over the world, and obtain consistent customer praise.

Based on quality, keep on striving ahead, make the first-class products, we warmly welcome the clients from domestic and overseas to visit our factory. Hope we can build up a long-term terms of business relationship.

### Our Brand



## Business Philosophy

The company adheres to the concept of sustainable development.



### People-oriented

We uphold an open and inclusive talent philosophy and sincerely welcome outstanding individuals from all walks of life to join us. The company provides employees with comprehensive compensation and benefits, a comfortable working environment, and a career development platform to help them realize their ambitions, achieve a sense of accomplishment and belonging, and build their personal careers in the promising field of agricultural machinery.



### Customer satisfaction

We have developed and implemented a comprehensive quality assurance system, striving to produce high-quality products and accurately meet the diverse needs of our customers. We consistently adhere to the principle of effective response to customer complaints, ensuring timely consideration and appropriate resolution of issues.



### Team spirit

We advocate a flexible and efficient organizational model to ensure the rapid progress and effective implementation of all work projects. Team members trust each other, collaborate closely, share common goals, and work together to achieve them. We highly value integrity in our internal and external partnerships, and always maintain all cooperative relationships in an open and transparent manner.

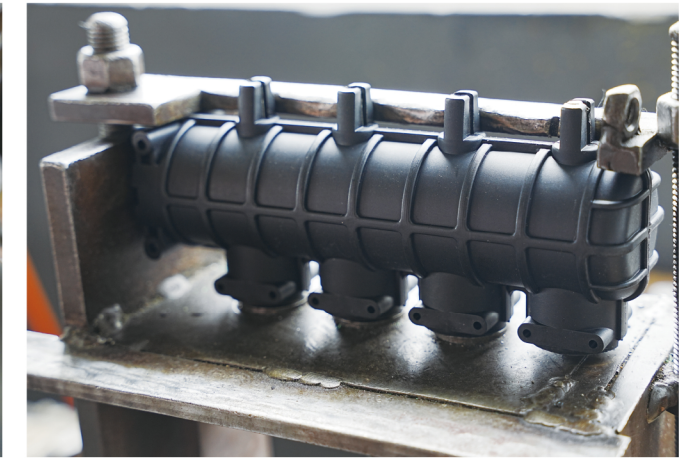
# Full-Process Production Support System

Upholding quality and moving forward pragmatically

The core products (PTO diaphragm pumps and supporting components) can be accurately compatible with 5 categories of power equipment, including electric motors, diesel engines, gasoline engines, tractors and motor vehicles. They support flexible combination into various types of sprayers, meeting the operation needs of agricultural planting, garden maintenance, industrial dust removal and other scenarios, with a compatibility coverage rate of over 95%



Factory workshop



Factory workshop



Factory workshop



Factory workshop



Factory workshop



Factory workshop

## Precision Manufacturing, Strict Quality Control

The factory is equipped with a specialized production line tailored to the production specifications of diaphragm pumps. From machining key components and pump casing assembly to leak testing and pressure resistance, every process includes standardized quality checkpoints. We carefully select raw materials such as cast iron and stainless steel, use precision machining equipment to ensure component accuracy, and rely on a comprehensive testing system to verify key performance indicators such as flow rate, pressure, and leak tightness of every diaphragm pump leaving the factory, ensuring that our products meet the real-world requirements of agriculture, irrigation, liquid transportation, and other applications.



# Our Qualifications

Integrity and innovation authority certification

The company consistently adheres to the principle of honest operation, and has successively won honors such as the 2025 Honest Enterprise, AAAAA Credit Rating Enterprise, and 2022 Advanced Private Enterprise. Through rigorous product quality audits, it has been recognized as a qualified product enterprise, a nationally trusted quality product, and a 5A-level unit for quality service and reputation.

In terms of technological innovation and development, the company has passed the audit of the internationally authoritative organization SGS, becoming its qualified supplier. Simultaneously, the company insists on independent research and development, and has obtained several national intellectual property rights, including a design patent for a shunt and a utility model patent for an adjustable shunt, providing a solid core support for product upgrades and service optimization through continuous technological accumulation.



## Our strength

8

Utility Model Certification

100000+

Annual output  
(Spray accessories)

50000+

Annual output  
(Diaphragm pump)

12

Professional testing equipment



Design Patent Certificate



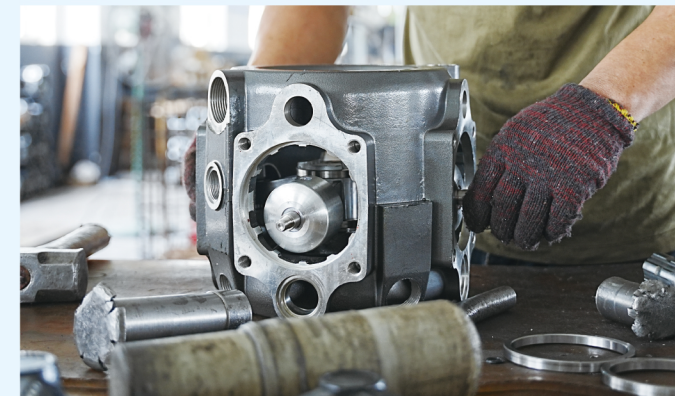
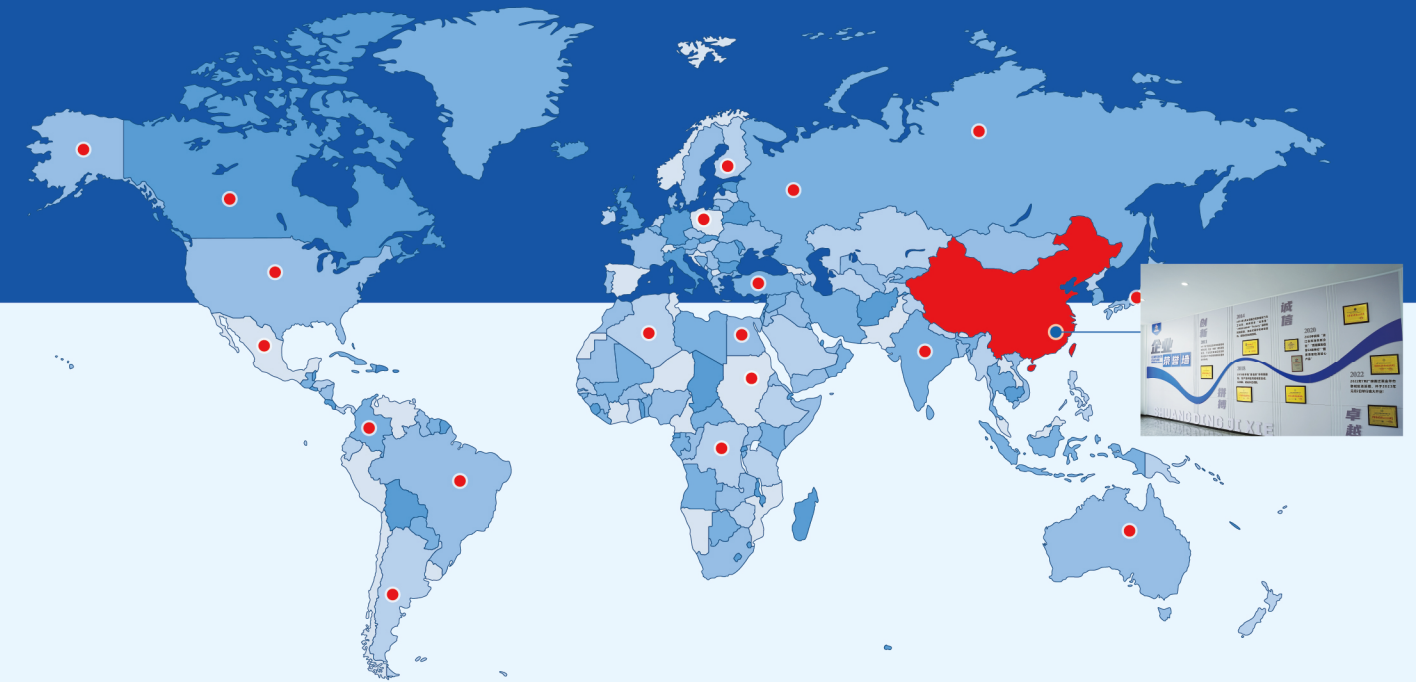
Certificate of Patent for a Utility Model



Certificate of Patent for a Utility Model

# Our Sales Area

A comprehensive approach, dedicated to serving every customer.



## Research and Development and Quality Control

We have a professional R&D and design team that can customize diaphragm pumps and matching fluid equipment according to customer drawings or samples to accurately match usage needs; at the same time, we have established a database covering the entire product life cycle and use a rigorous quality control system to ensure the stability and reliability of every piece of equipment.

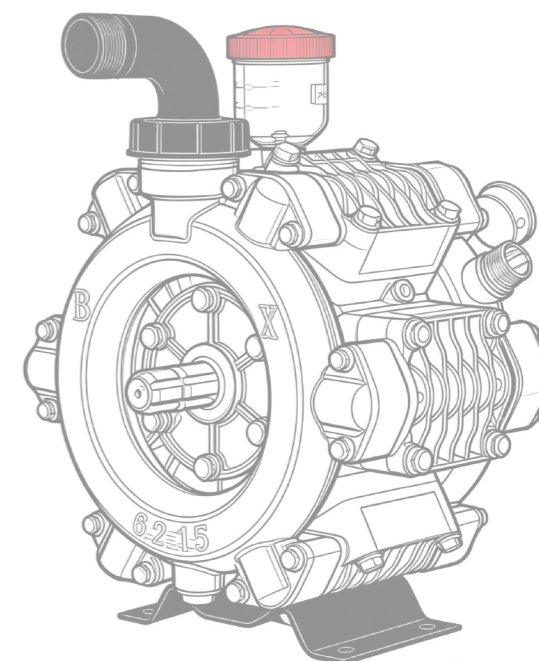


## Comprehensive Service

We have established a comprehensive full-cycle service and after-sales response system, enabling us to respond quickly to customer needs. We not only provide upfront technical support, such as customized power equipment adaptation solutions, product technical parameter interpretation, and industry application case sharing, but also support real-time order progress tracking and dedicated processing for large orders.

## SHUANG DING Diaphragm pump

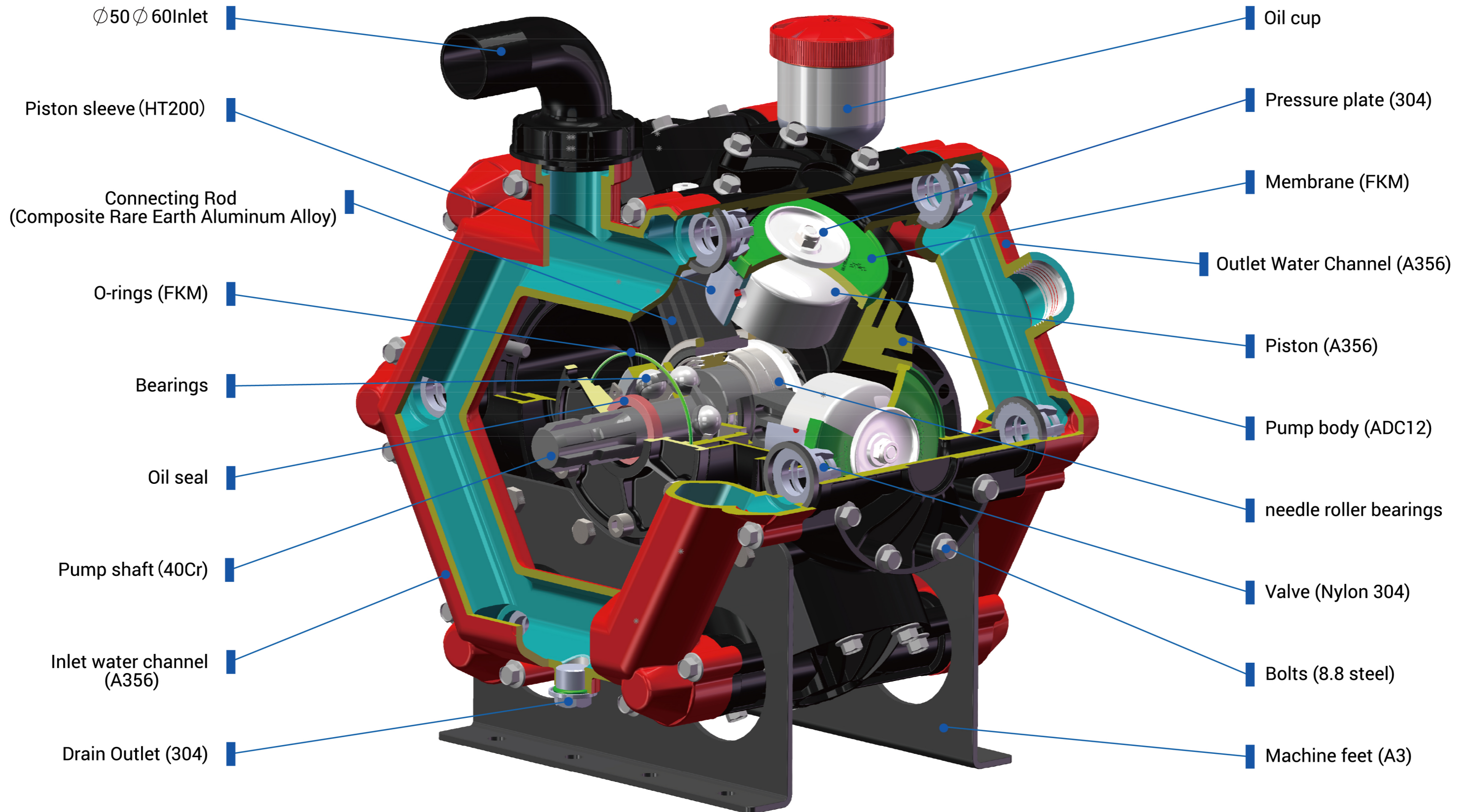
Specialized production lines produce high-quality products; diaphragm pumps enable efficient agricultural operations.



## PRODUCT CATALOG

Diaphragm pump internal structure diagram.....	01-02
Diaphragm pump.....	03-38
Diverter.....	39-52
Filter.....	53-56
Overflow valve.....	57
Diaphragm.....	58
One-way valve.....	58

# Diaphragm Pump Internal Structure Diagram



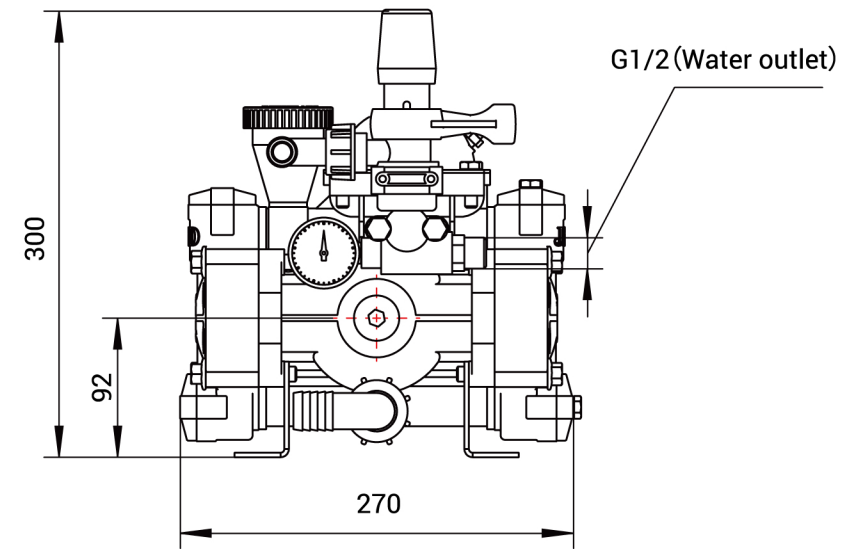
# MB230/2.5 Diaphragm Pump

## Product Description

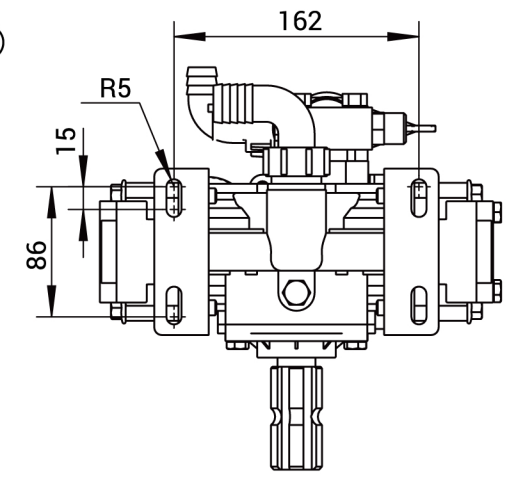
Diaphragm pump consists of pump body, crankshaft, rod, piston, rubber diaphragm, cover, valves, and fittings. The diaphragm on the piston isolates oil chamber from liquid chamber, ensuring lubrication and enabling dry running for convenience.



## Product Technical Drawings



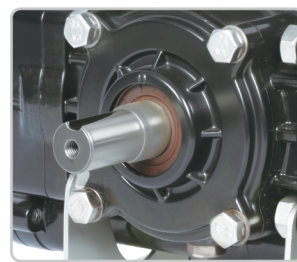
Front view, scale 1:5



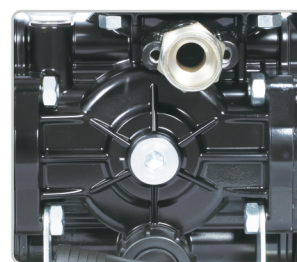
Bottom view, scale 1:5



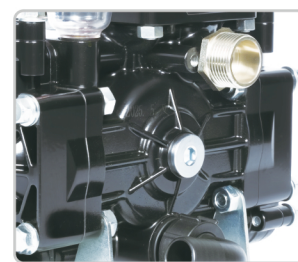
Clutch



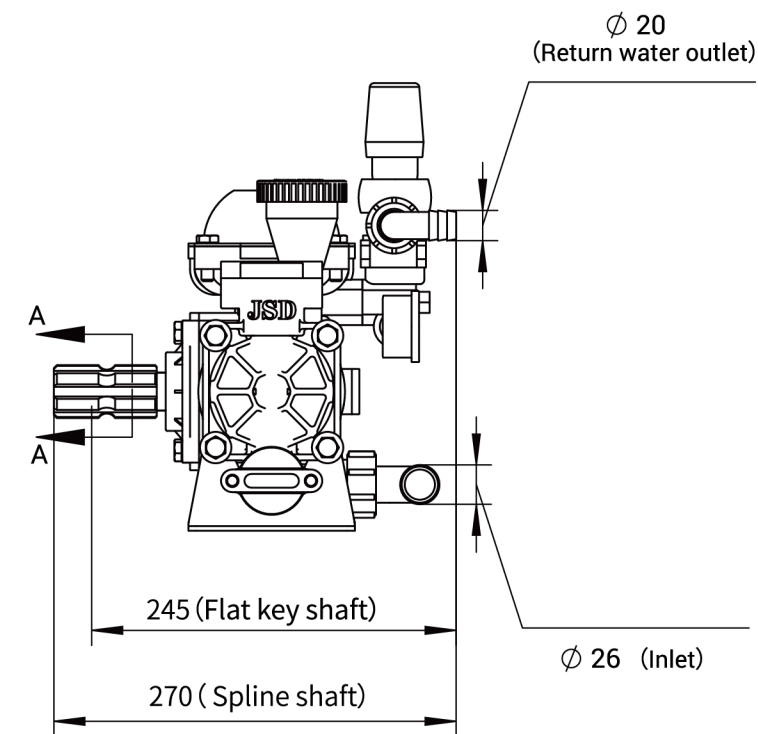
Flat key shaft



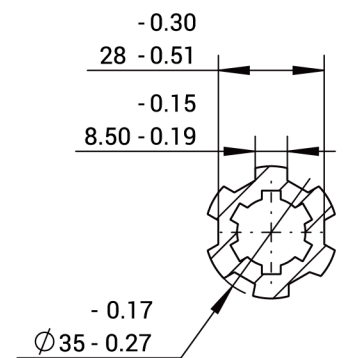
Back side



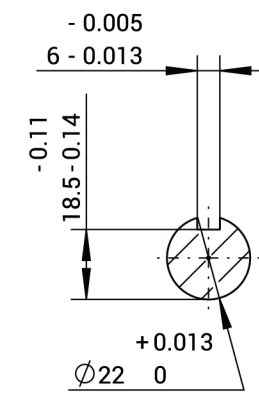
Back side



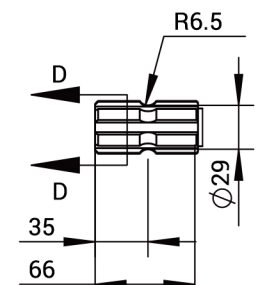
Side view, scale 1:5



Pump shaft A-A 1:2



Pump shaft A-A 1:2



Pump shaft A-A 1:2

Model		MB230/2.5
Ⓜ	Flow rate (L/min)	30
Ⓜ	Rotational speed (r/min)	600
Ⓜ	Pressure (bar)	25
Ⓜ	Power (HP)	3
Ⓜ	Inlet (mm)	25
Ⓜ	Water outlet (mm)	20
Ⓜ	External dimensions (mm)	270X270X300
Ⓜ	Weight (kg)	7.5
Ⓜ	Number of diaphragms	2

## MB345/2.5 Diaphragm Pump

### Product Description

Diaphragm pump consists of pump body, crankshaft, rod, piston, rubber diaphragm, cover, valves, and fittings. The diaphragm on the piston isolates oil chamber from liquid chamber, ensuring lubrication and enabling dry running for convenience.



Clutch

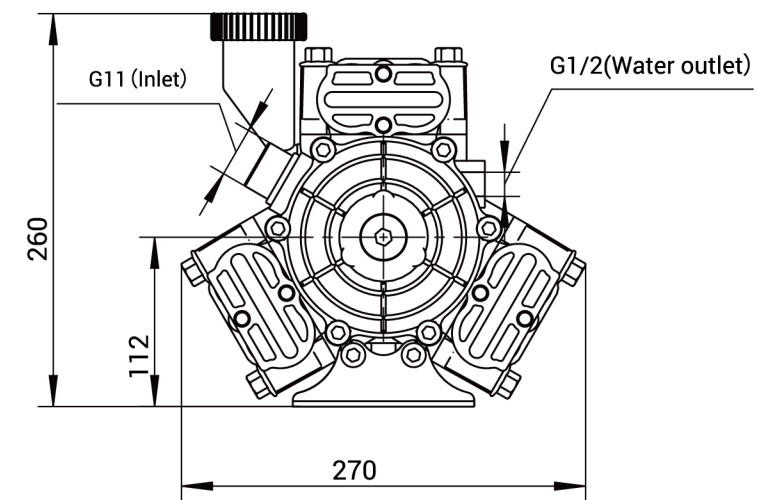


Flat key shaft

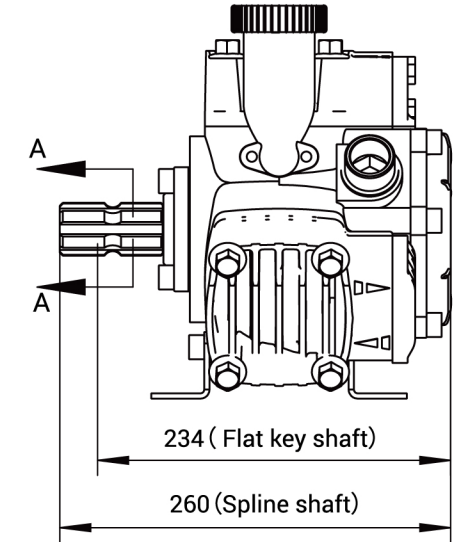


Back side

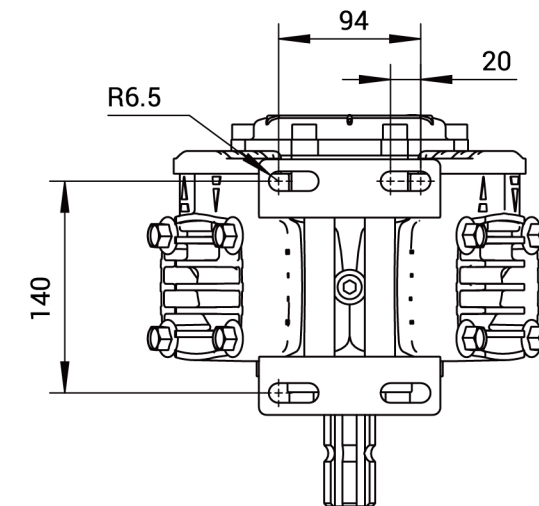
### Product Technical Drawings



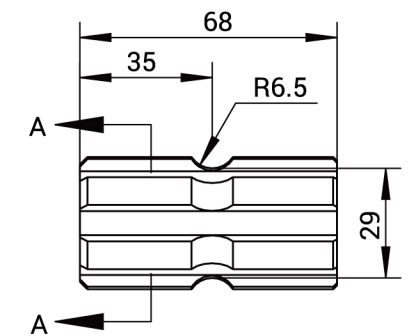
Front view, scale 1:5



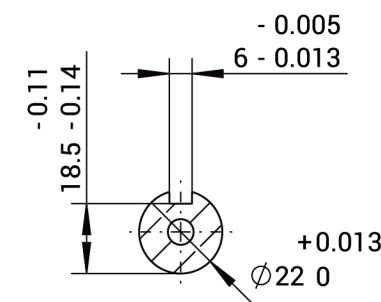
Side view, scale 1:5



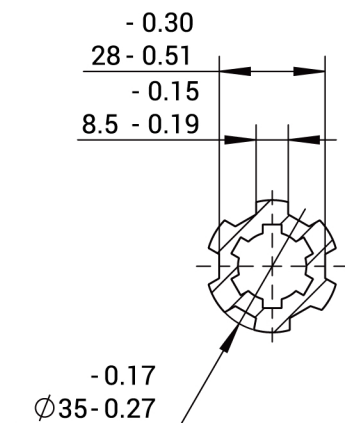
Bottom view, scale 1:5



Pump shaft A-A 1:2



Pump shaft A-A 1:2



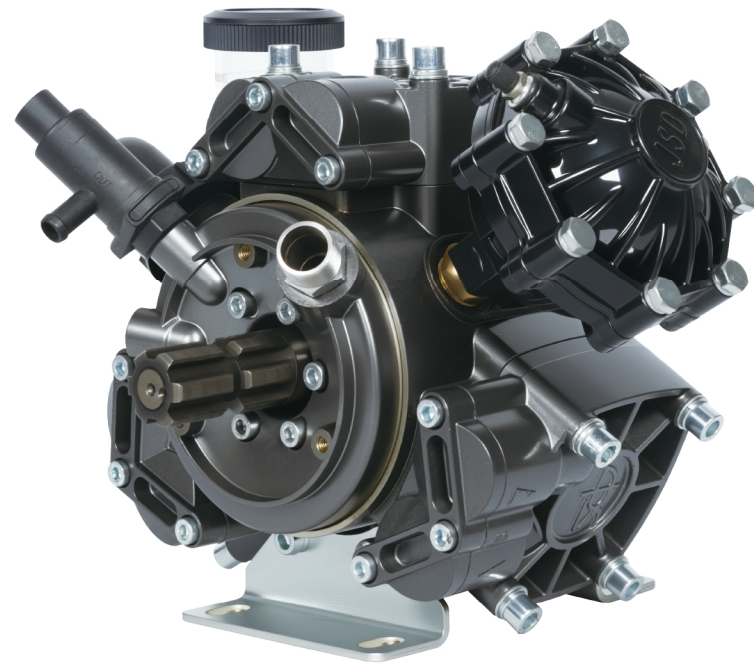
Pump shaft A-A 1:2

Model	MB345/2.5	
⊕ Flow rate (L/min)	45	
⊕ Rotational speed (r/min)	600	
⊕ Pressure (bar)	25	
⊕ Power (HP)	4	
⊕ Inlet (mm)	25	
⊕ Water outlet (mm)	20	
⊕ External dimensions (mm)	260X270X260	
⊕ Weight (kg)	12	
⊕ Number of diaphragms	3	

# MB360/4.0 Diaphragm Pump

## Product Description

Diaphragm pump consists of pump body, crankshaft, rod, piston, rubber diaphragm, cover, valves, and fittings. The diaphragm on the piston isolates oil chamber from liquid chamber, ensuring lubrication and enabling dry running for convenience.



Double spline shaft  
(Front side)

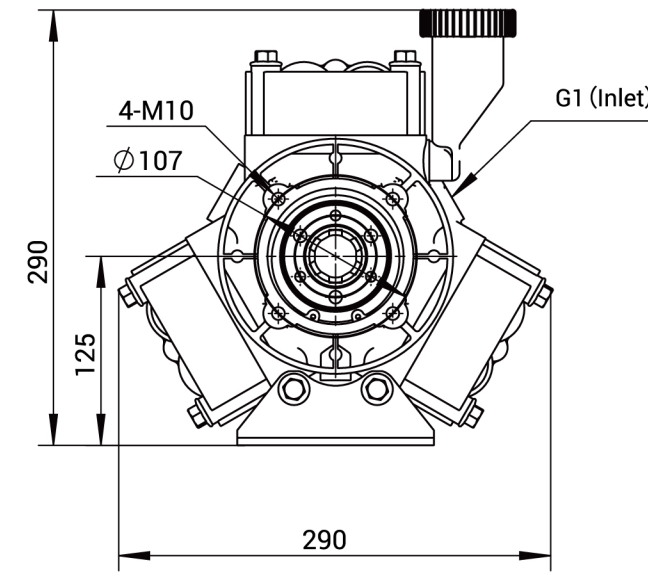


Double spline shaft  
(Back side)

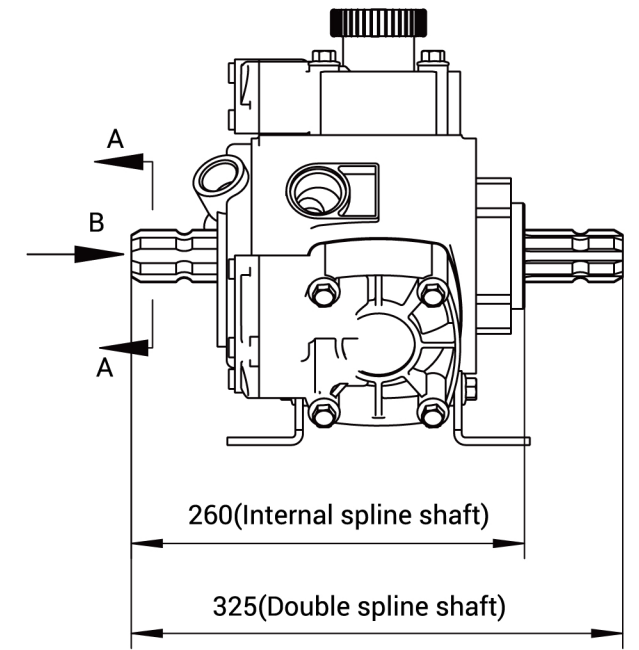


Internal spline shaft  
(Back side)

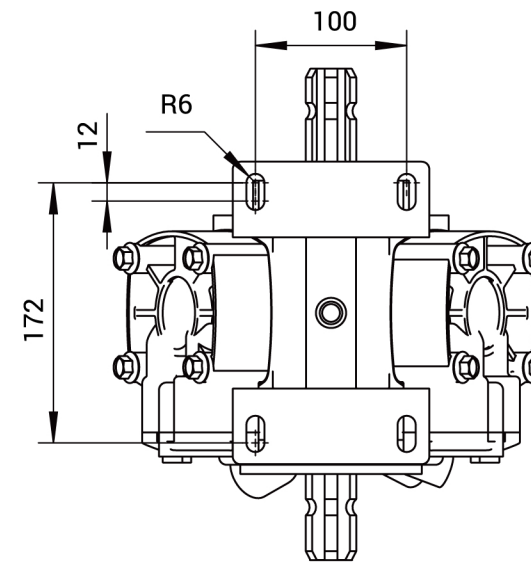
## Product Technical Drawings



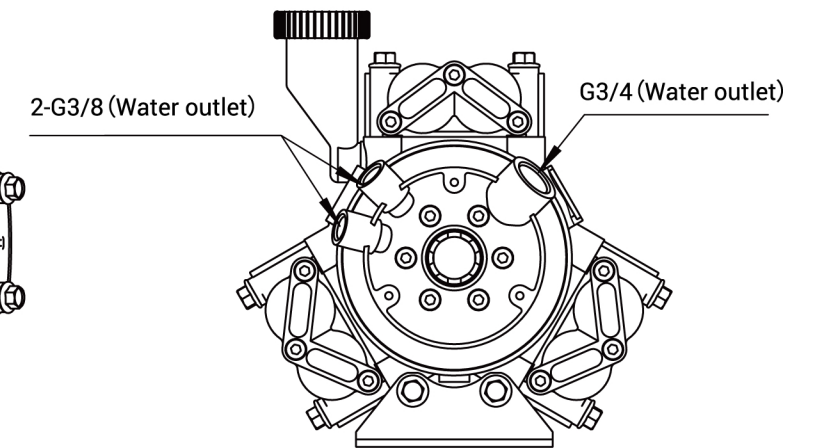
Front view, scale 1:5



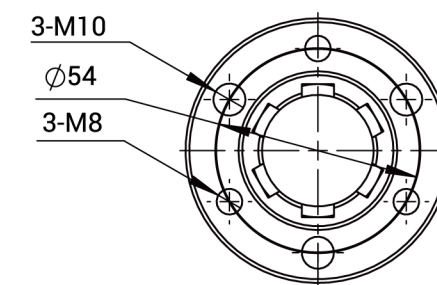
Side view, scale 1:5



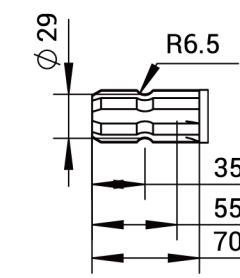
Bottom view, scale 1:5



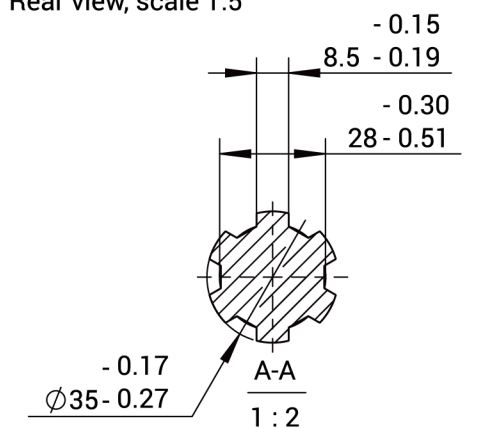
Rear view, scale 1:5



Internal spline shaft, scale 1:5



Pump shaft A-A1:2



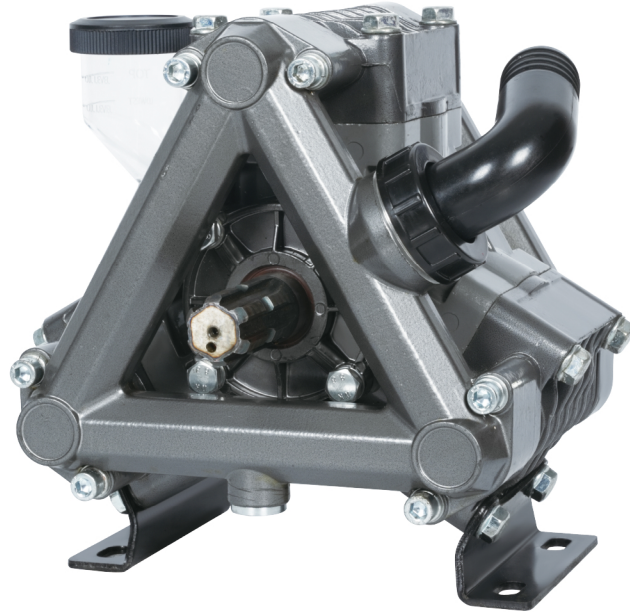
Pump shaft A-A1:2

Model		MB360/4.0
	Flow rate (L/min)	60
	Rotational speed (r/min)	600
	Pressure (bar)	40
	Power (HP)	9
	Inlet (mm)	36
	Water outlet (mm)	25
	External dimensions (mm)	325X290X290
	Weight (kg)	16
	Number of diaphragms	3

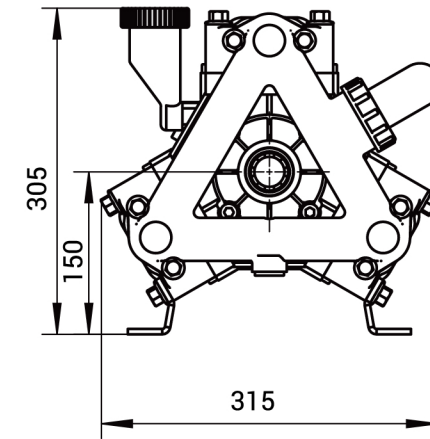
## MB3130/2.5 (A) Diaphragm Pump

### Product Description

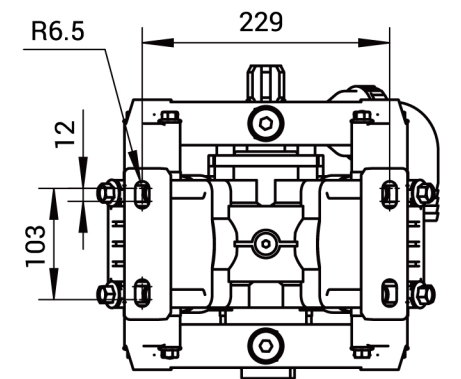
Diaphragm pump consists of pump body, crankshaft, rod, piston, rubber diaphragm, cover, valves, and fittings. The diaphragm on the piston isolates oil chamber from liquid chamber, ensuring lubrication and enabling dry running for convenience.



### Product Technical Drawings



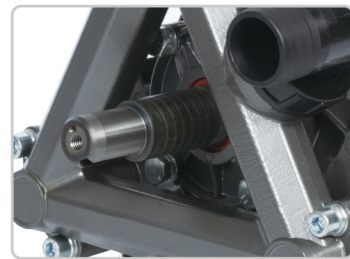
Front view, scale 1:7



Bottom view, scale 1:7



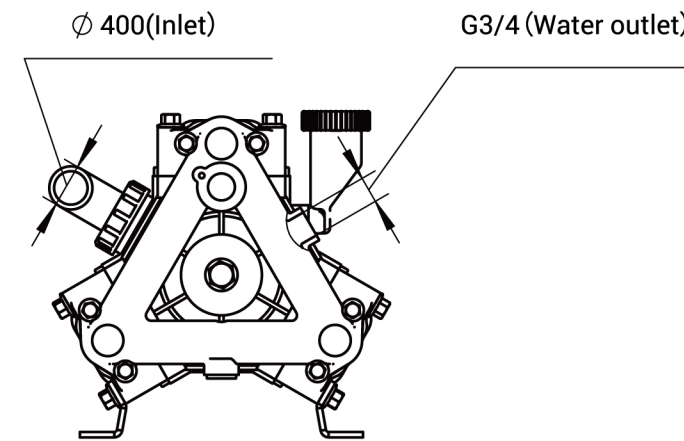
Pump shaft



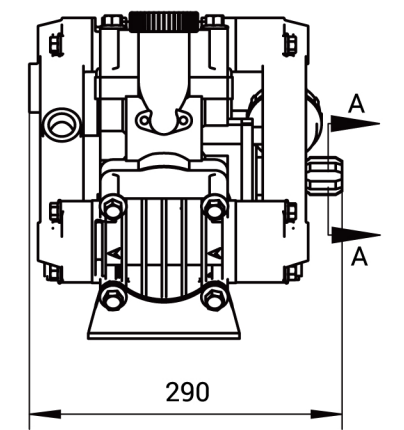
Flat key shaft



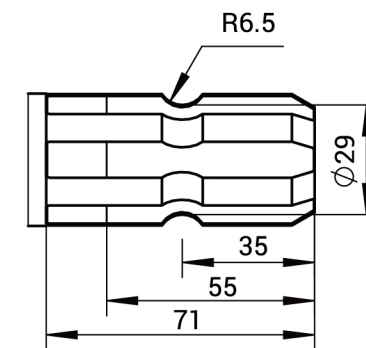
Back side



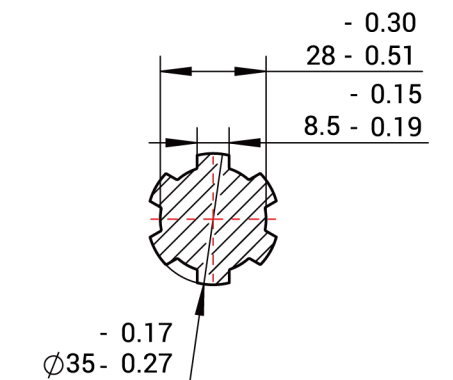
Rear view, scale 1:7



Side view, scale 1:7



Pump shaft A-A 1:2



Pump shaft A-A 1:2

Model	MB3130/2.5 (A)	
①	Flow rate (L/min)	130
Ⓐ	Rotational speed (r/min)	600
Ⓜ	Pressure (bar)	25
Ⓜ	Power (HP)	12
Ⓜ	Inlet (mm)	40
Ⓜ	Water outlet (mm)	25
Ⓜ	External dimensions (mm)	290X315X305
Ⓜ	Weight (kg)	17
Ⓜ	Number of diaphragms	3

# MB460/2.5 Diaphragm Pump

## Product Description

Diaphragm pump consists of pump body, crankshaft, rod, piston, rubber diaphragm, cover, valves, and fittings. The diaphragm on the piston isolates oil chamber from liquid chamber, ensuring lubrication and enabling dry running for convenience.



Clutch

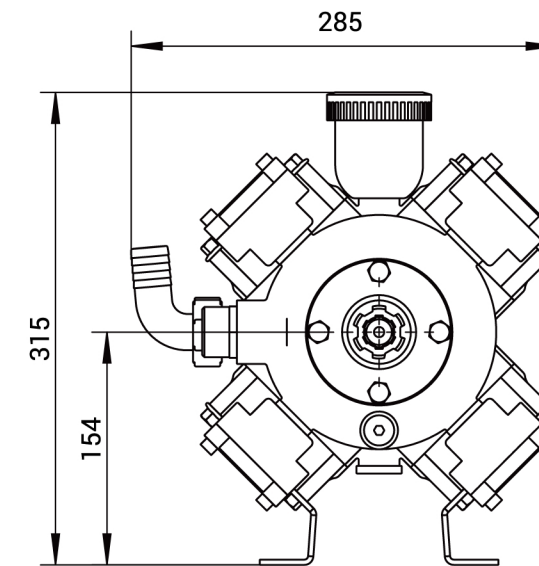


Single spline shaft

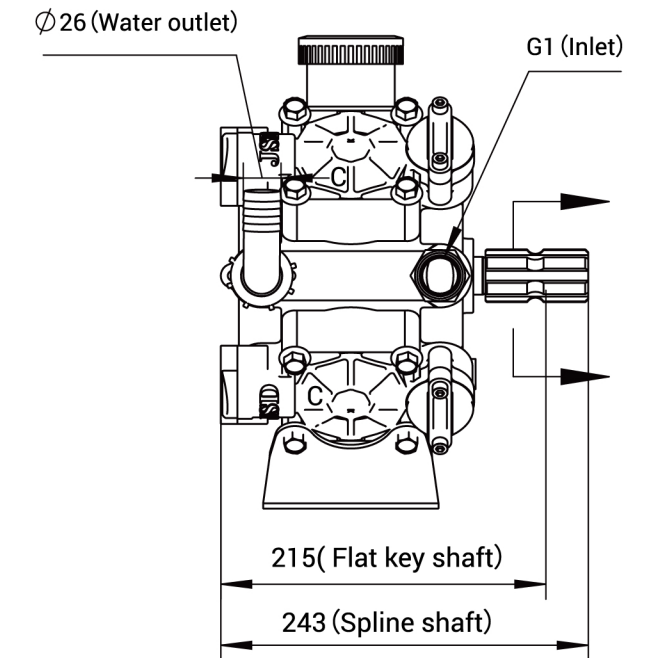


Back side

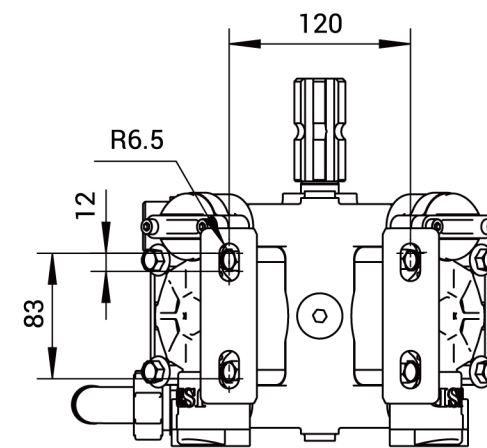
## Product Technical Drawings



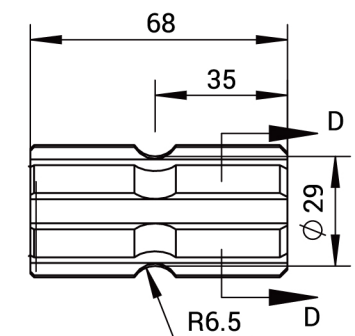
Front view, scale 1:5



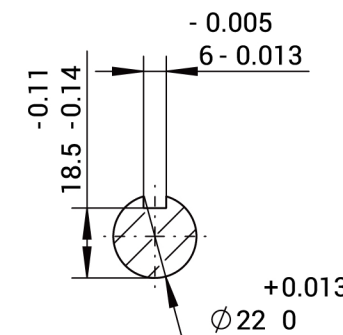
Side view, scale 1:5



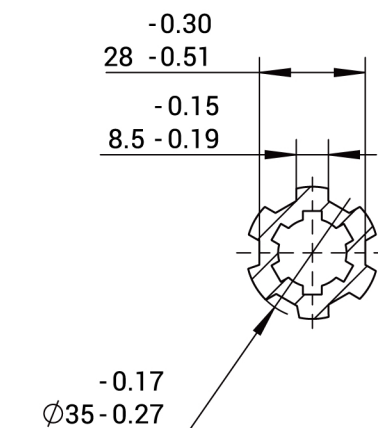
Bottom view, scale 1:5



Pump shaft D-D 1:2



Pump shaft C-C 1:2



Pump shaft C-C 1:2

Model		MB460/2.5
Ⓜ	Flow rate (L/min)	60
Ⓜ	Rotational speed (r/min)	600
Ⓜ	Pressure (bar)	25
Ⓜ	Power (HP)	9
Ⓜ	Inlet (mm)	25
Ⓜ	Water outlet (mm)	25
Ⓜ	External dimensions (mm)	243X285X315
Ⓜ	Weight (kg)	12
Ⓜ	Number of diaphragms	4

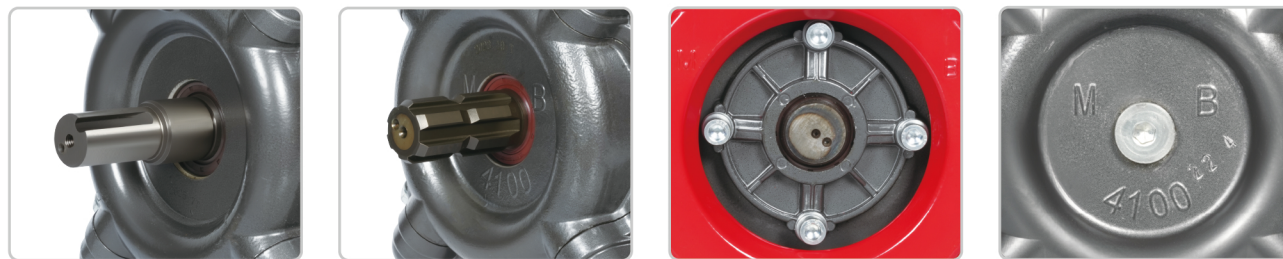
## MB4100/2.5 Diaphragm Pump

### Product Description

Diaphragm pump consists of pump body, crankshaft, rod, piston, rubber diaphragm, cover, valves, and fittings. The diaphragm on the piston isolates oil chamber from liquid chamber, ensuring lubrication and enabling dry running for convenience.



Optional color schemes



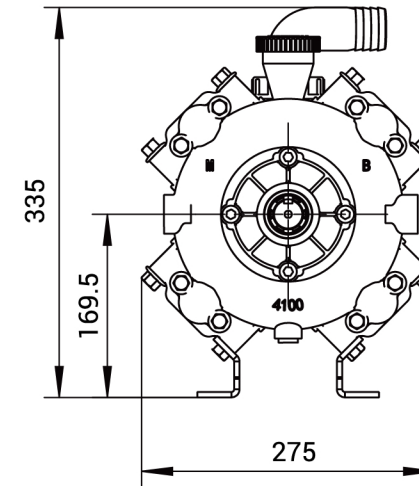
Flat key shaft

Double spline shaft  
(Back side)

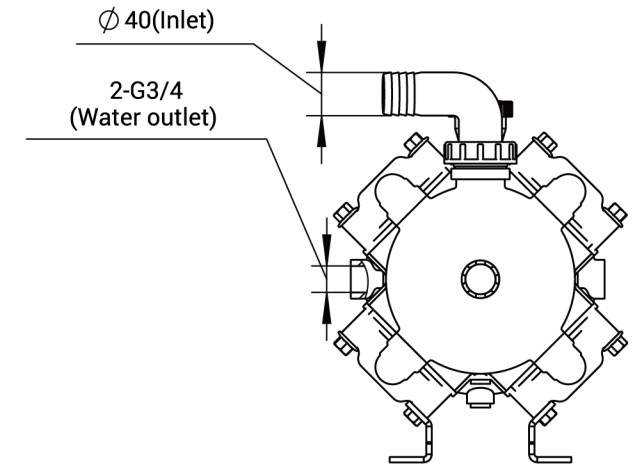
Flat key shaft  
(Back side)

Single spline shaft  
(Back side)

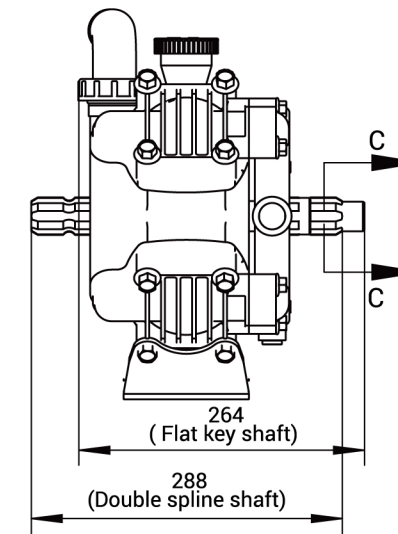
### Product Technical Drawings



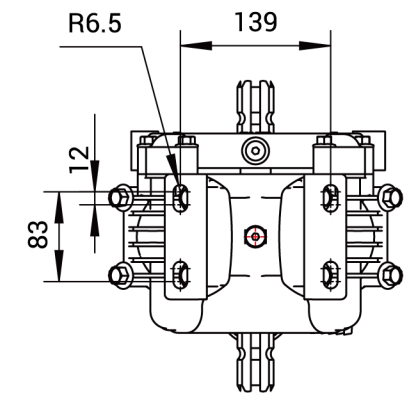
Front view, scale 1:7



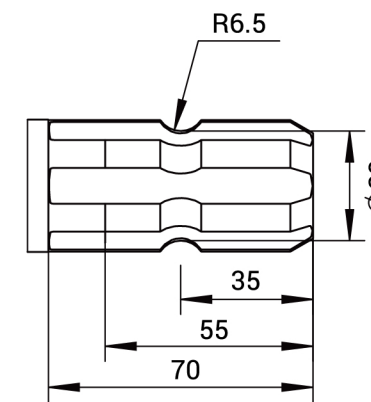
Rear view, scale 1:7



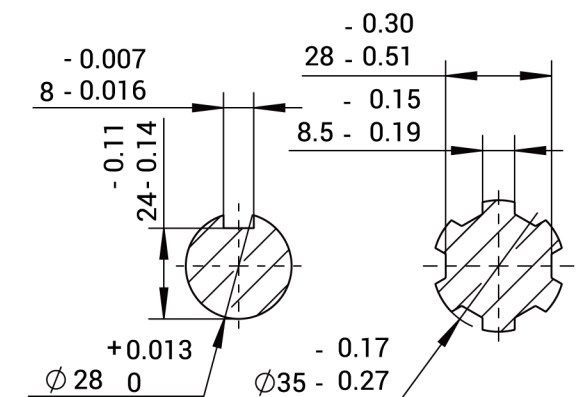
Side view, scale 1:7



Bottom view, scale 1:7



Pump shaft C-C 1:2



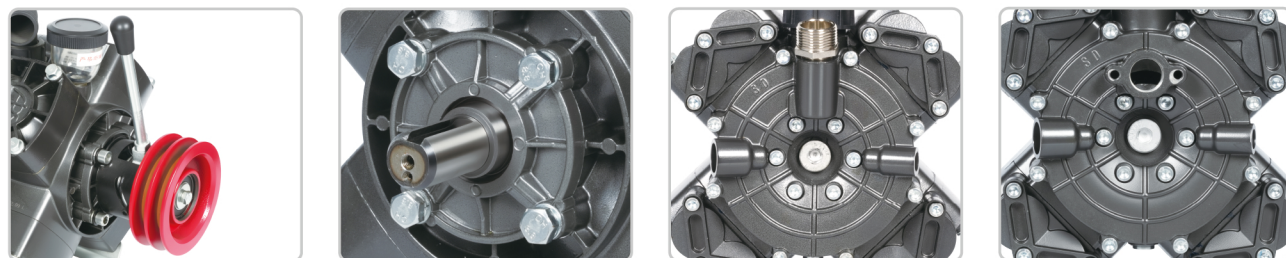
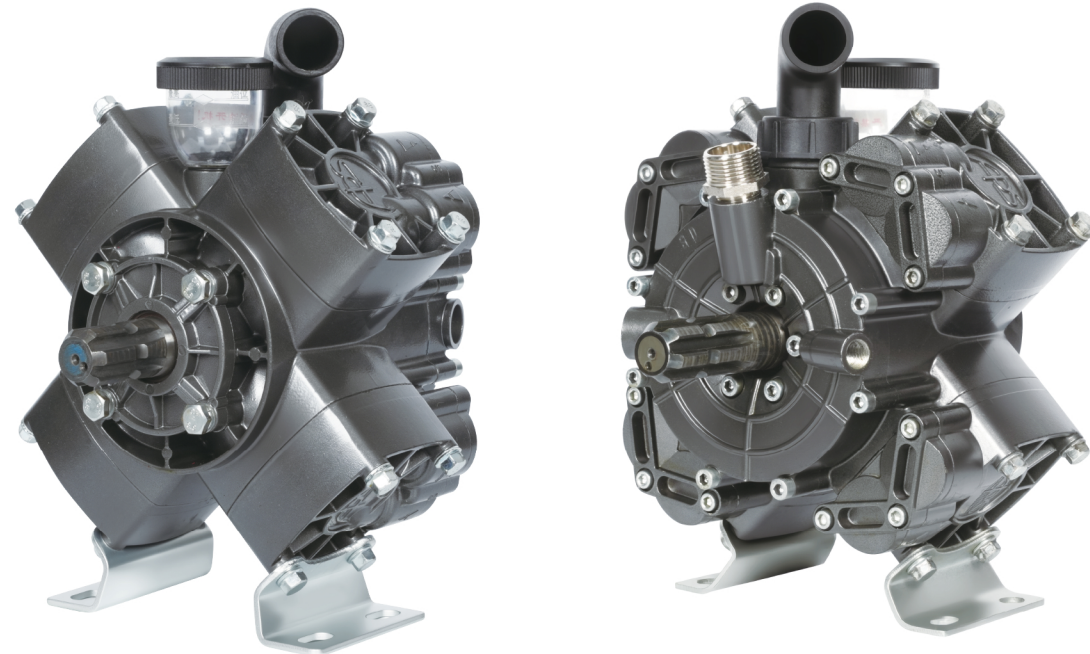
Pump shaft C-C 1:2

Model	MB4100/2.5	
Flow rate (L/min)	100	
Rotational speed (r/min)	600	
Pressure (bar)	30	
Power (HP)	9	
Inlet (mm)	40	
Water outlet (mm)	25	
External dimensions (mm)	288X275X335	
Weight (kg)	15	
Number of diaphragms	4	

## MB4100/3.0 Diaphragm Pump

### Product Description

Diaphragm pump consists of pump body, crankshaft, rod, piston, rubber diaphragm, cover, valves, and fittings. The diaphragm on the piston isolates oil chamber from liquid chamber, ensuring lubrication and enabling dry running for convenience.



Clutch

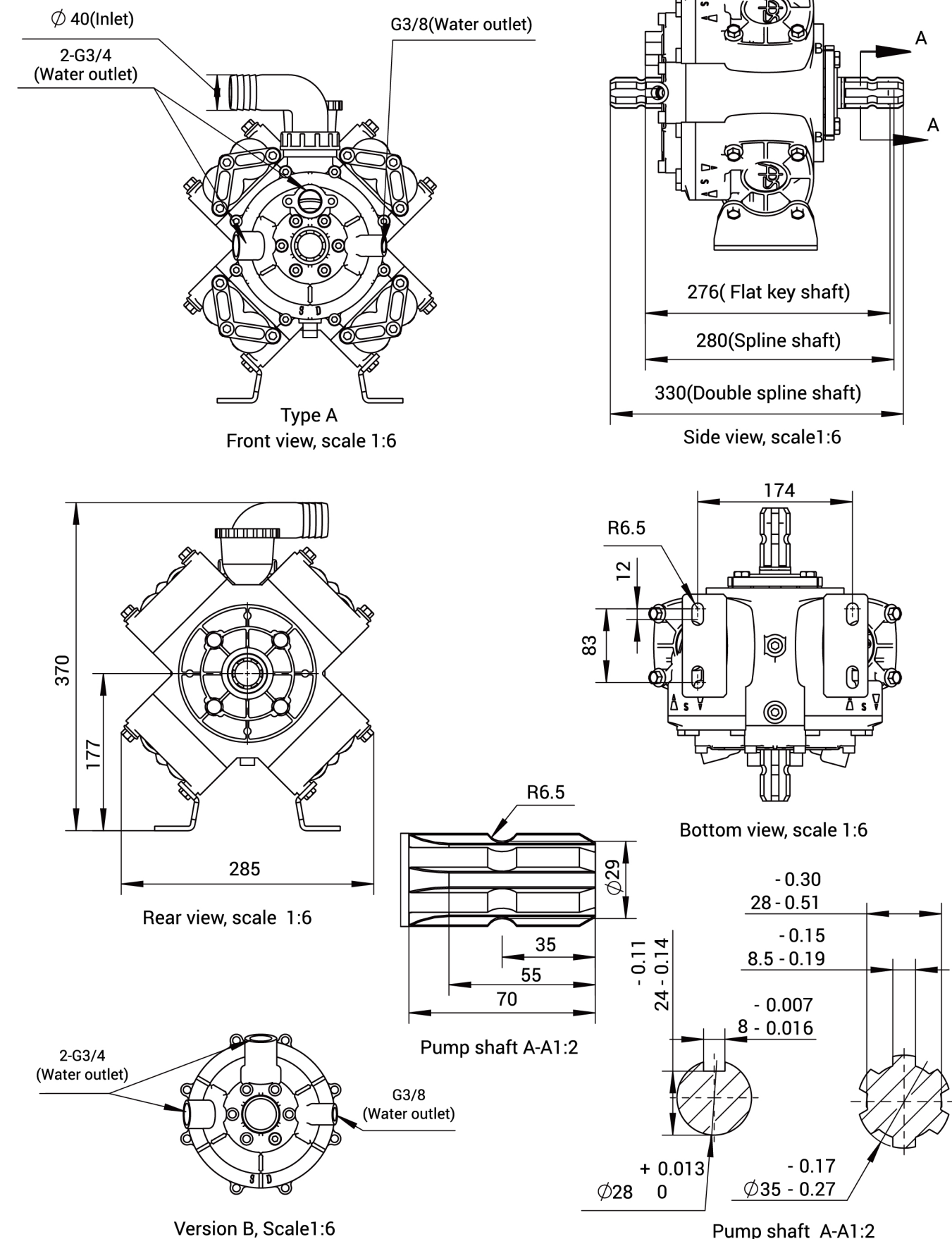
Flat key shaft

Back side

Back side

Model	MB4100/3.0	
Ⓜ	Flow rate (L/min)	100
Ⓜ	Rotational speed (r/min)	600
Ⓜ	Pressure (bar)	30
Ⓜ	Power (HP)	9
Ⓜ	Inlet (mm)	40
Ⓜ	Water outlet (mm)	25
Ⓜ	External dimensions (mm)	330X285X370
Ⓜ	Weight (kg)	18
Ⓜ	Number of diaphragms	4

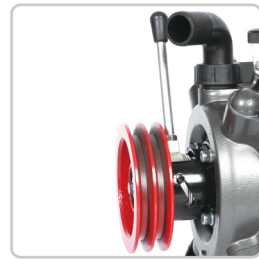
### Product Technical Drawings



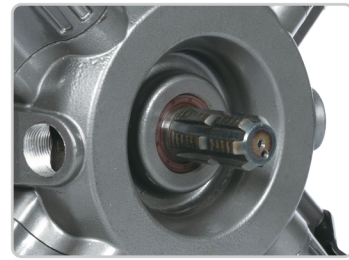
# MB4130/3.0 Diaphragm Pump

## Product Description

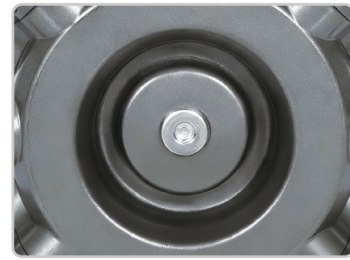
Diaphragm pump consists of pump body, crankshaft, rod, piston, rubber diaphragm, cover, valves, and fittings. The diaphragm on the piston isolates oil chamber from liquid chamber, ensuring lubrication and enabling dry running for convenience.



Clutch

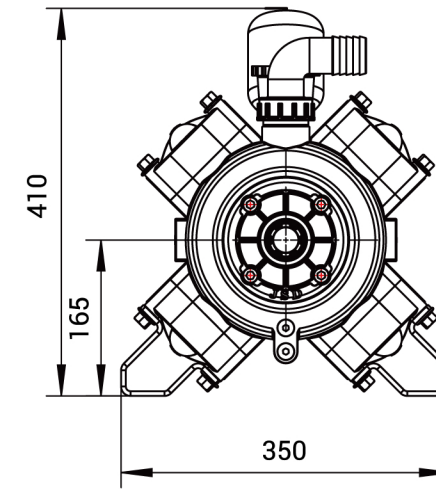


Double spline shaft  
(Back side)

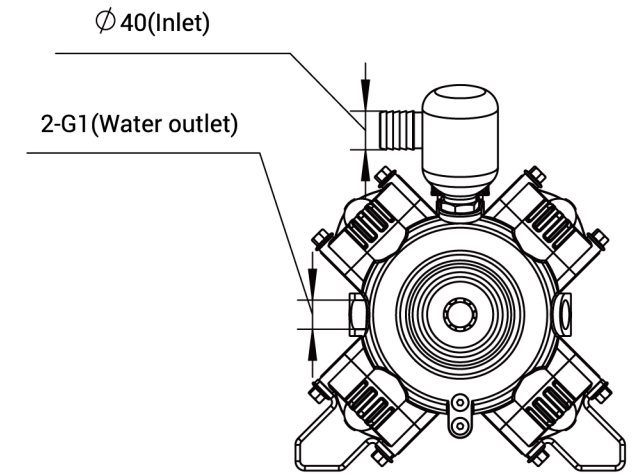


Back side

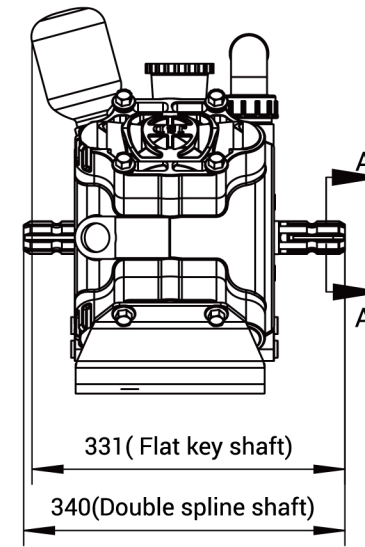
## Product Technical Drawings



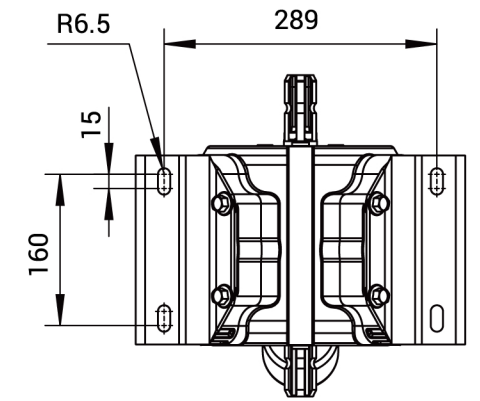
Front view, scale 1:8



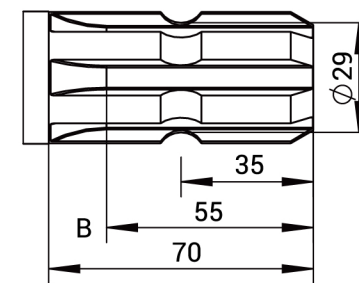
Rear view, scale 1:8



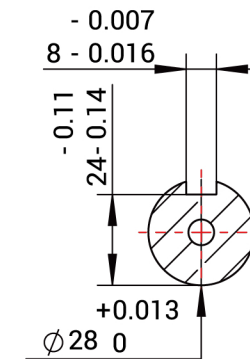
Side view, scale 1:8



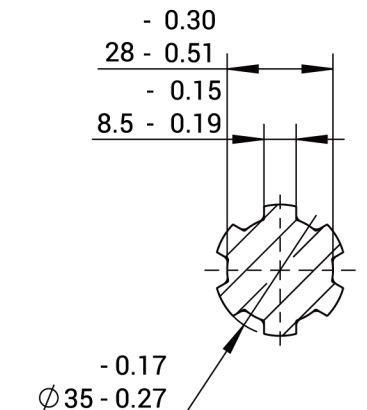
Bottom view, scale 1:8



Pump shaft A-A 1:2



Pump shaft A-A 1:2



Pump shaft A-A 1:2

Model	MB4130/3.0	
Flow rate (L/min)	130	
Rotational speed (r/min)	600	
Pressure (bar)	30	
Power (HP)	12	
Inlet (mm)	40	
Water outlet (mm)	25	
External dimensions (mm)	340X350X410	
Weight (kg)	23	
Number of diaphragms	4	

# MB4135/3.0 Diaphragm Pump

## Product Description

Diaphragm pump consists of pump body, crankshaft, rod, piston, rubber diaphragm, cover, valves, and fittings. The diaphragm on the piston isolates oil chamber from liquid chamber, ensuring lubrication and enabling dry running for convenience.



Optional color schemes



Pump shaft

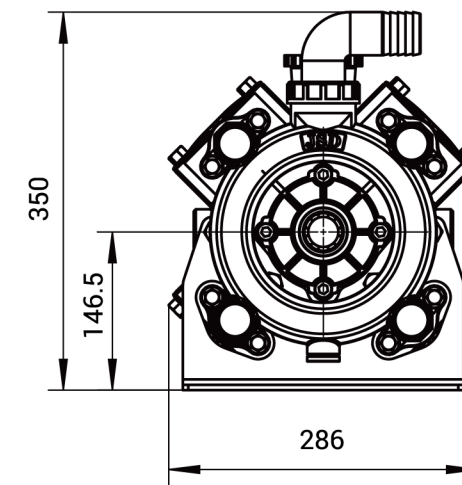


Double spline shaft (Back side)

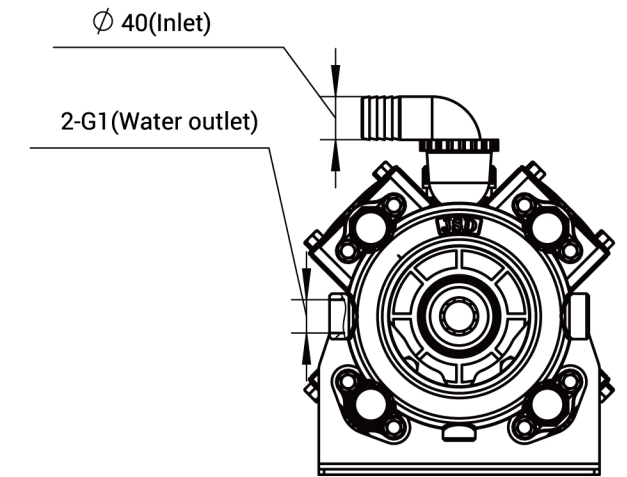


Single spline shaft (Back side)

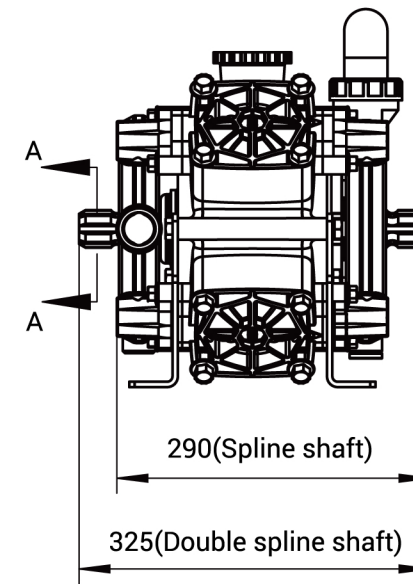
## Product Technical Drawings



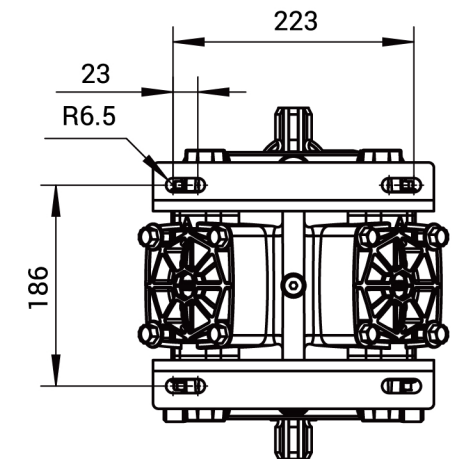
Front view, scale 1:7



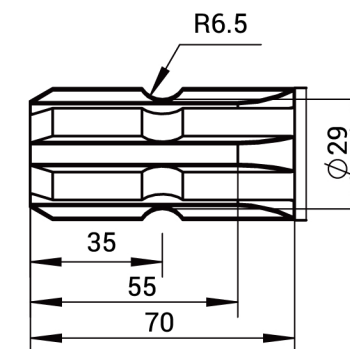
Rear view, scale 1:7



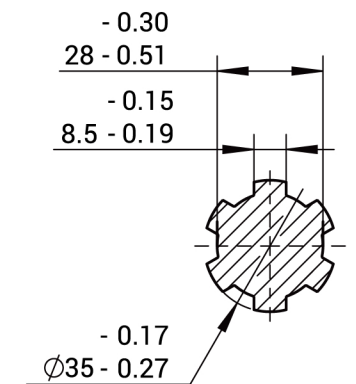
Side view, scale 1:7



Bottom view, scale 1:7



Pump shaft A-A1:2



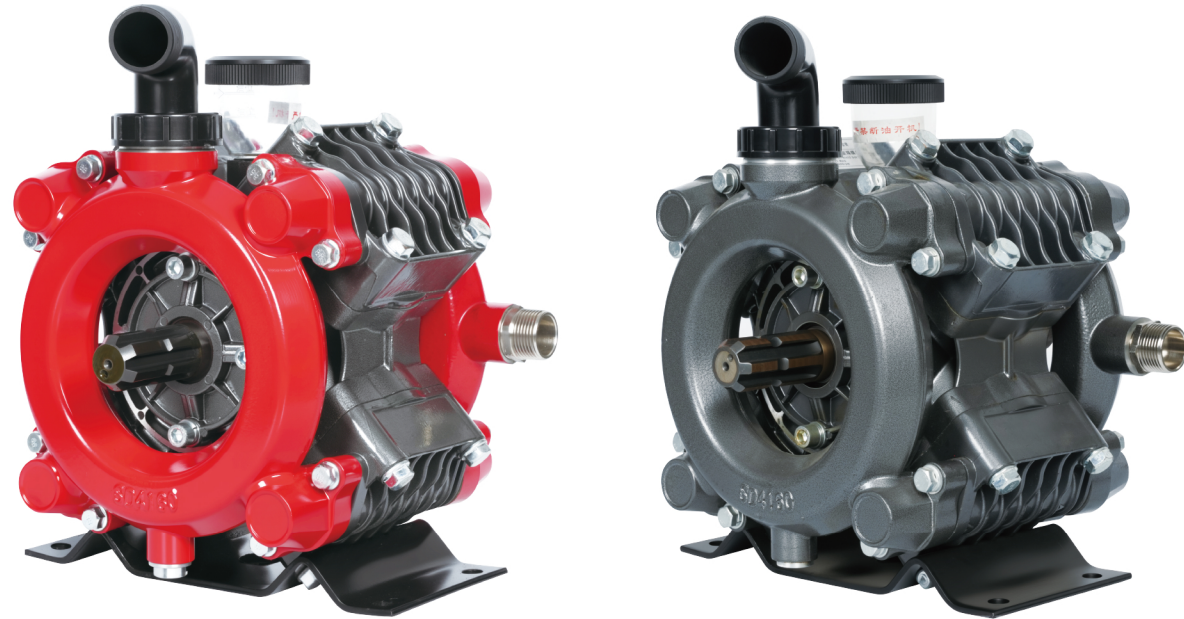
Pump shaft A-A1:2

Model	MB4135/3.0	
Flow rate (L/min)	135	
Rotational speed (r/min)	600	
Pressure (bar)	30	
Power (HP)	12	
Inlet (mm)	40	
Water outlet (mm)	25	
External dimensions (mm)	325X286X350	
Weight (kg)	20	
Number of diaphragms	4	

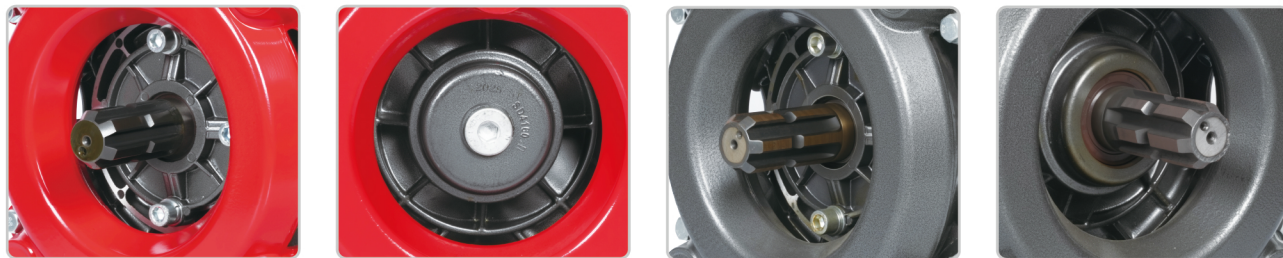
## MB4160/2.5 Diaphragm Pump

### Product Description

Diaphragm pump consists of pump body, crankshaft, rod, piston, rubber diaphragm, cover, valves, and fittings. The diaphragm on the piston isolates oil chamber from liquid chamber, ensuring lubrication and enabling dry running for convenience.



Optional color schemes



Single spline shaft

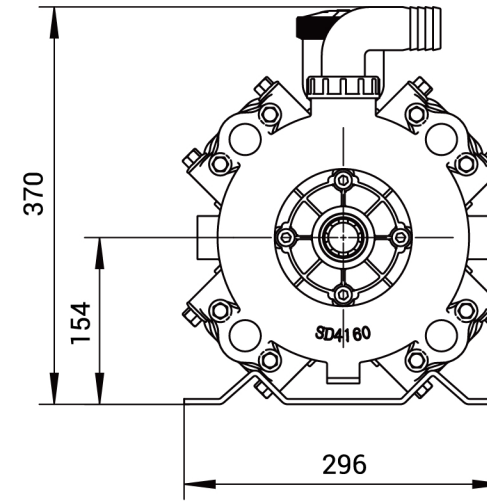
Single spline shaft  
(Back side)

Double spline shaft

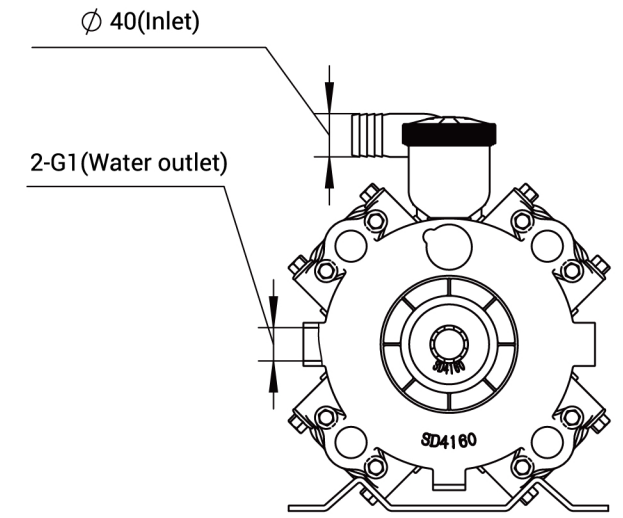
Double spline shaft  
(Back side)

Model	MB4160/2.5	
Flow rate (L/min)	160	
Rotational speed (r/min)	600	
Pressure (bar)	25	
Power (HP)	14	
Inlet (mm)	40	
Water outlet (mm)	25	
External dimensions (mm)	320X296X370	
Weight (kg)	23	
Number of diaphragms	4	

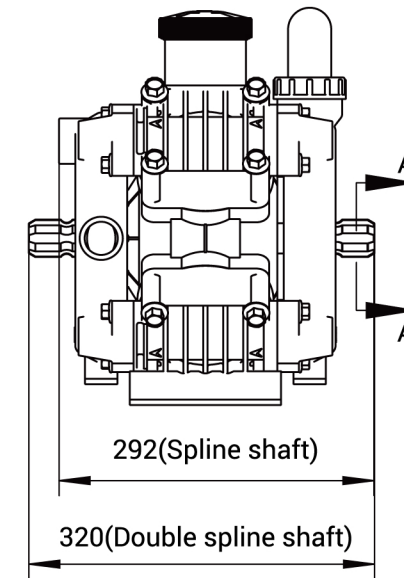
### Product Technical Drawings



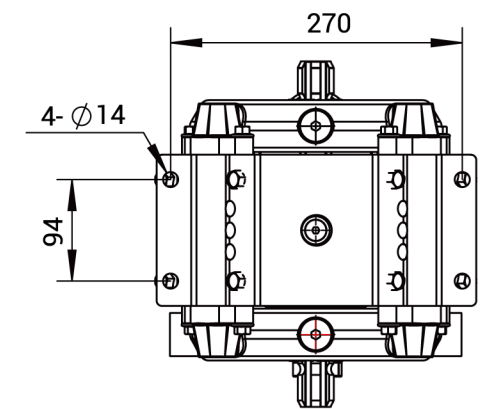
Front view, scale 1:7



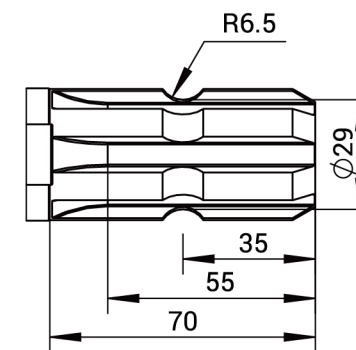
Rear view, scale 1:7



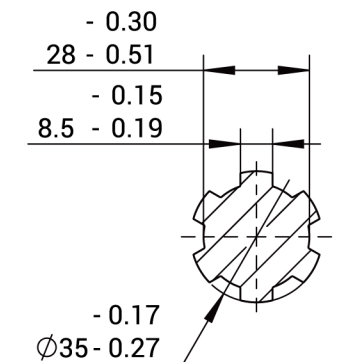
Side view, scale 1:7



Bottom view, scale 1:7



Pump shaft A-A1:2

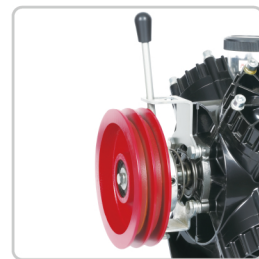
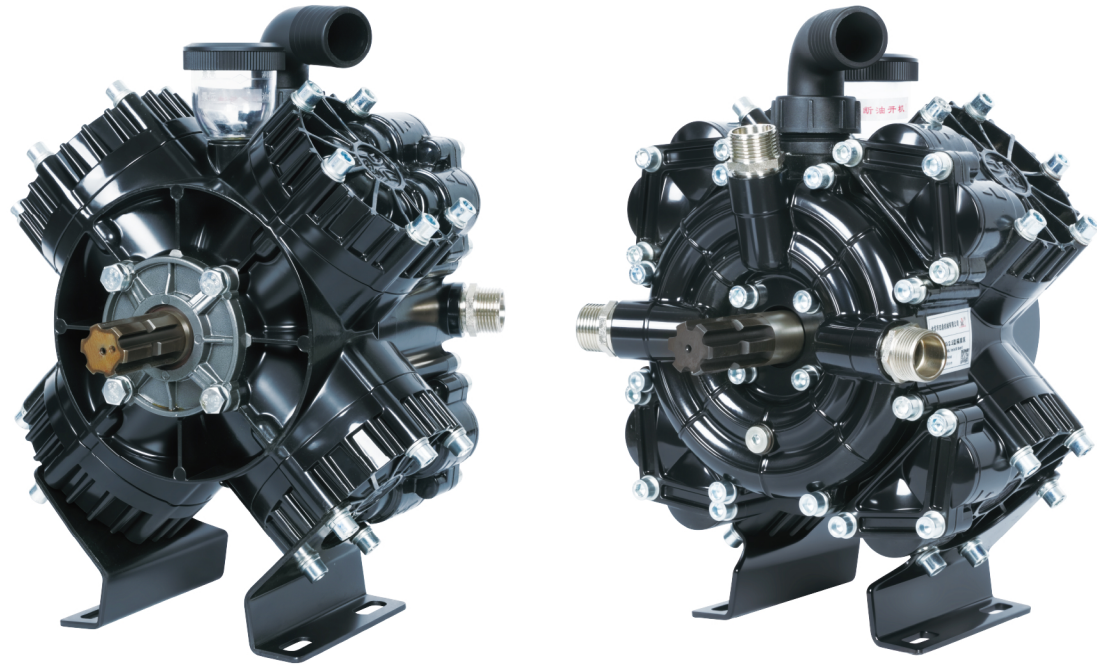


Pump shaft A-A1:2

# MB4180/2.5 Diaphragm Pump

## Product Description

Diaphragm pump consists of pump body, crankshaft, rod, piston, rubber diaphragm, cover, valves, and fittings. The diaphragm on the piston isolates oil chamber from liquid chamber, ensuring lubrication and enabling dry running for convenience.



Clutch

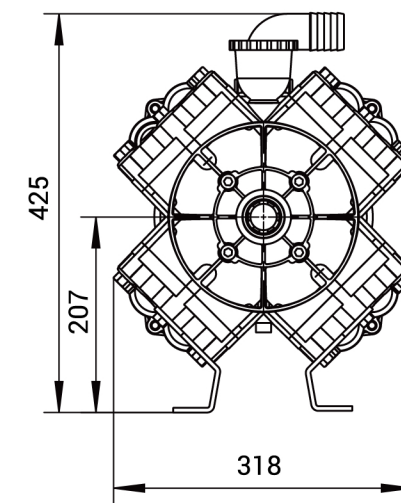


Flat key shaft

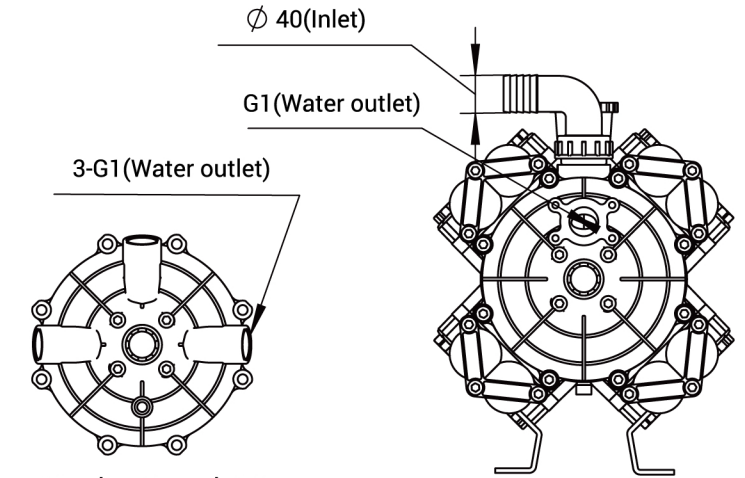


Outlet Cover Type A (Back side)

## Product Technical Drawings

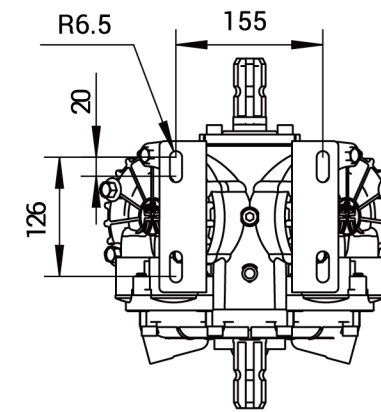


Front view, scale 1:8

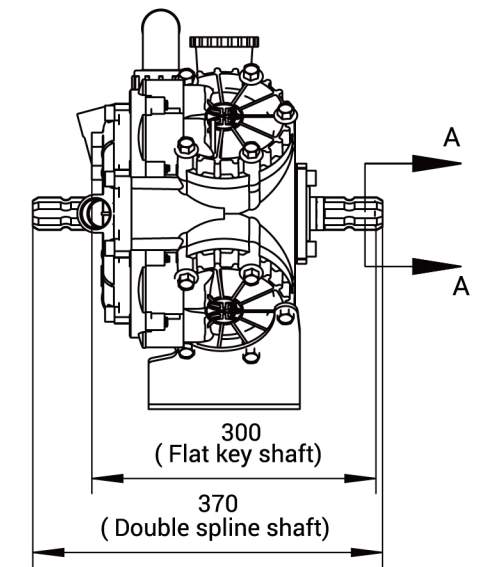


Version B, scale 1:8

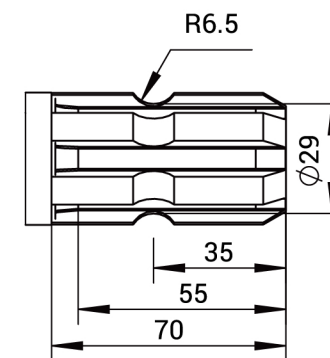
Type A, scale 1:8



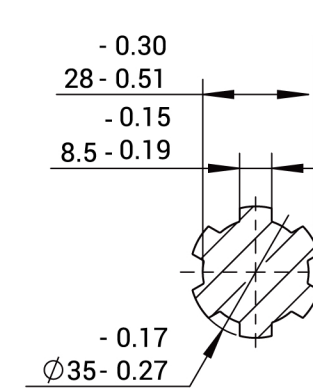
Bottom view, scale 1:8



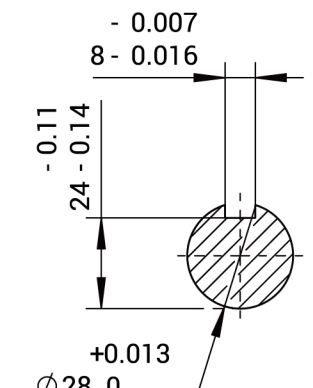
Side view, scale 1:8



Pump shaft A-A1:2



Pump shaft A-A1:2



Pump shaft A-A1:2

Model	MB4180/2.5	
Ⓜ	Flow rate (L/min)	180
Ⓜ	Rotational speed (r/min)	600
Ⓜ	Pressure (bar)	25
Ⓜ	Power (HP)	14
Ⓜ	Inlet (mm)	40
Ⓜ	Water outlet (mm)	25
Ⓜ	External dimensions (mm)	370X318X425
Ⓜ	Weight (kg)	23.5
Ⓜ	Number of diaphragms	4

# MB4200/3.0 Diaphragm Pump

## Product Description

Diaphragm pump consists of pump body, crankshaft, rod, piston, rubber diaphragm, cover, valves, and fittings. The diaphragm on the piston isolates oil chamber from liquid chamber, ensuring lubrication and enabling dry running for convenience.



Clutch

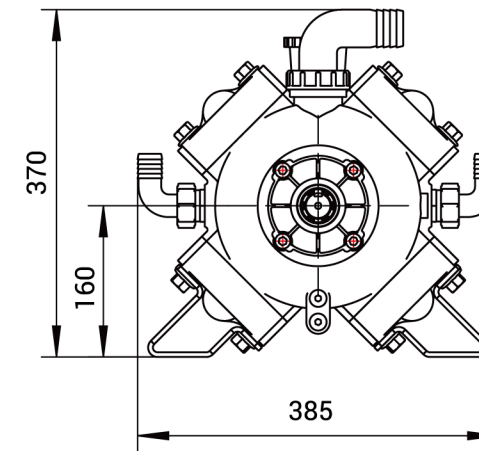


Pump shaft

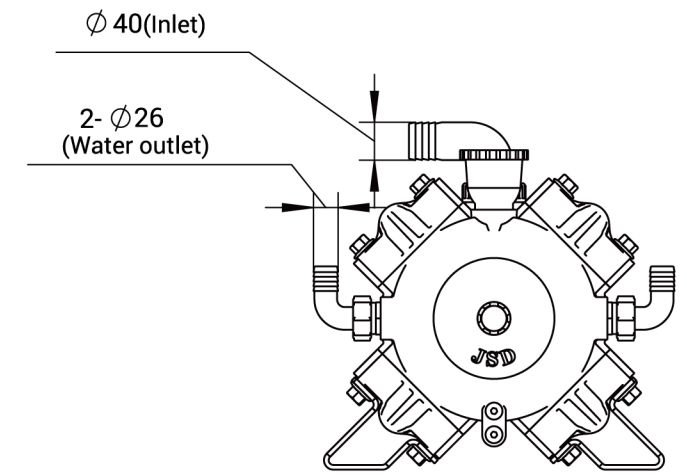


Back side

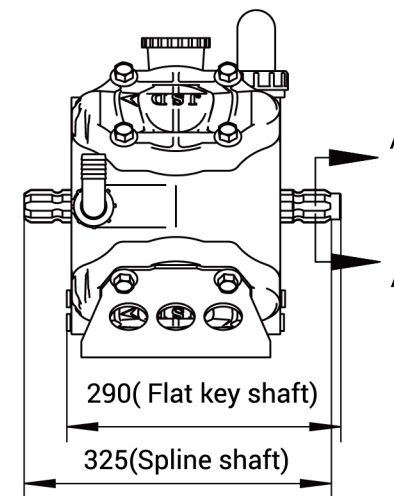
## Product Technical Drawings



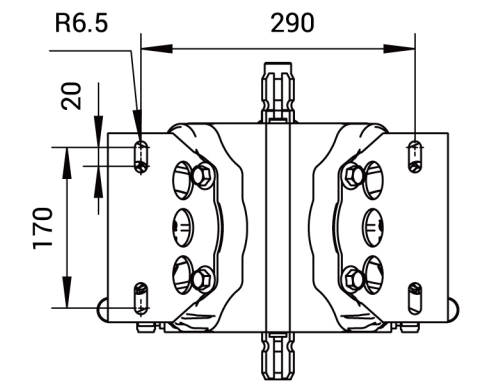
Front view, scale 1:8



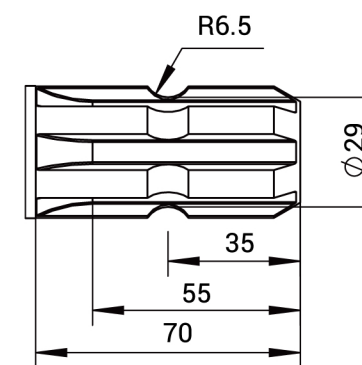
Rear view, scale 1:8



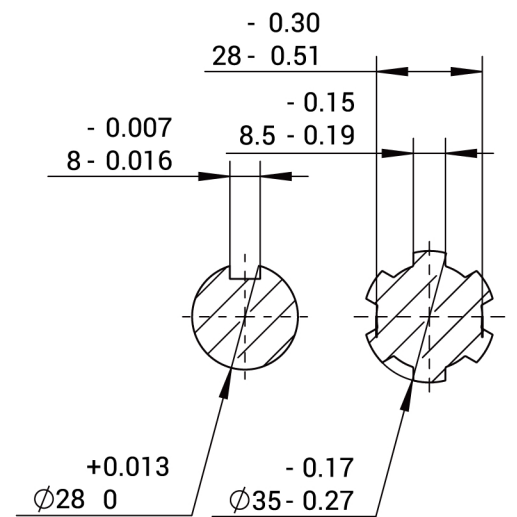
Side view, scale 1:8



Bottom view, scale 1:8



Pump shaft A-A1:2



Pump shaft A-A1:2

Pump shaft A-A1:2

Model		MB4200/3.0
	Flow rate (L/min)	200
	Rotational speed (r/min)	600
	Pressure (bar)	30
	Power (HP)	15
	Inlet (mm)	40
	Water outlet (mm)	25
	External dimensions (mm)	325X385X370
	Weight (kg)	23.5
	Number of diaphragms	4

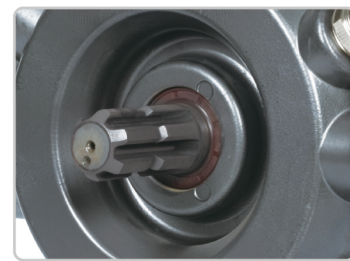
## MB6130/2.5 Diaphragm Pump

### Product Description

Diaphragm pump consists of pump body, crankshaft, rod, piston, rubber diaphragm, cover, valves, and fittings. The diaphragm on the piston isolates oil chamber from liquid chamber, ensuring lubrication and enabling dry running for convenience.



Single spline shaft



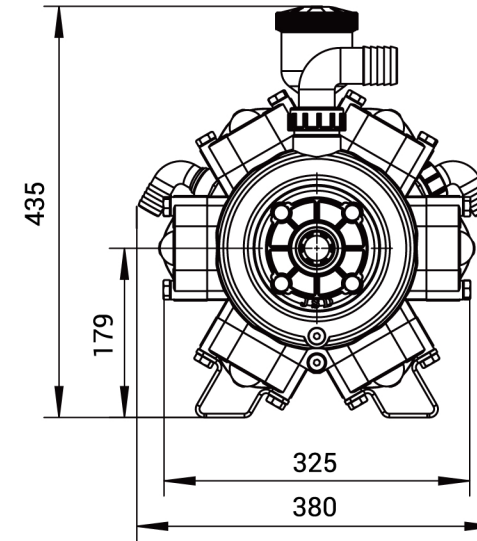
Double spline shaft  
(Back side)



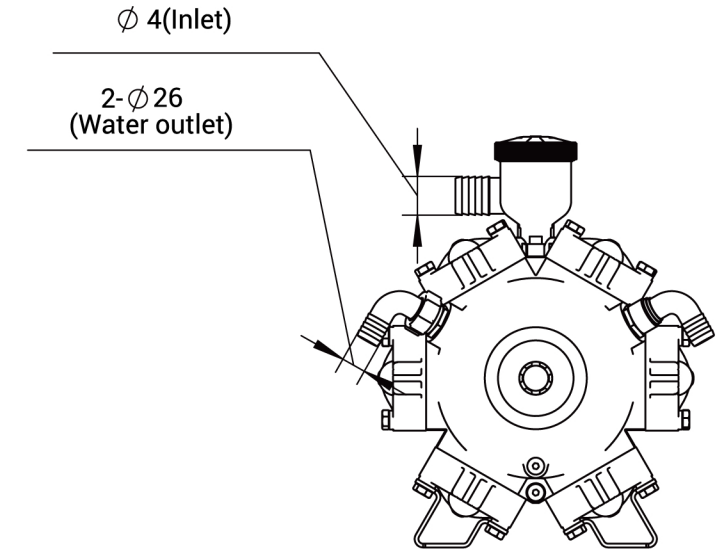
Single spline shaft  
(Back side)

Model	MB6130/2.5	
Flow rate (L/min)	130	
Rotational speed (r/min)	600	
Pressure (bar)	25	
Power (HP)	13	
Inlet (mm)	40	
Water outlet (mm)	25	
External dimensions (mm)	340X380X435	
Weight (kg)	23	
Number of diaphragms	6	

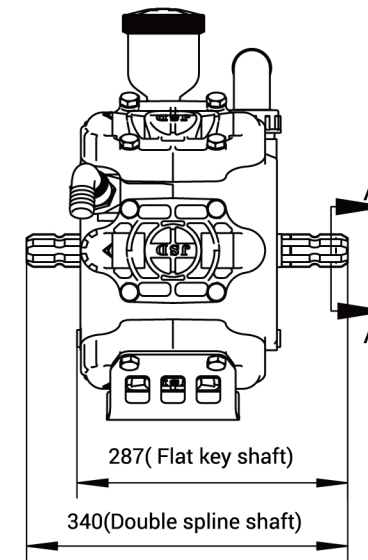
## Product Technical Drawings



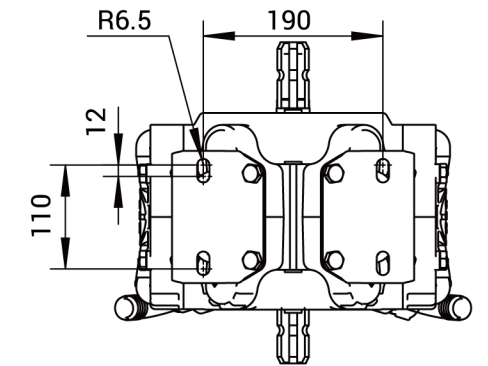
Front view, scale 1:8



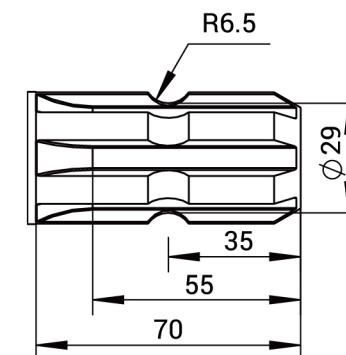
Rear view, scale 1:8



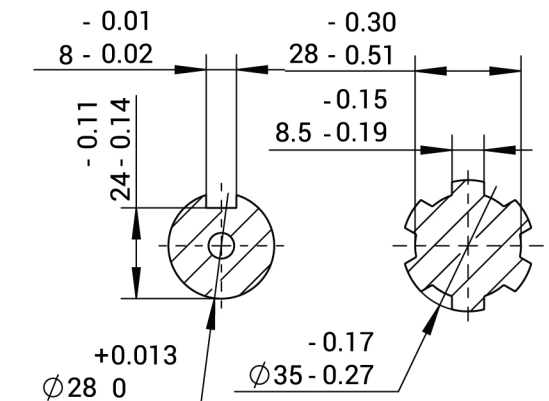
Side view, scale 1:8



Bottom view, scale 1:8



Pump shaft A-A1:2



Pump shaft A-A1:2

Pump shaft A-A1:2

## MB6175/3.0 Diaphragm Pump

### Product Description

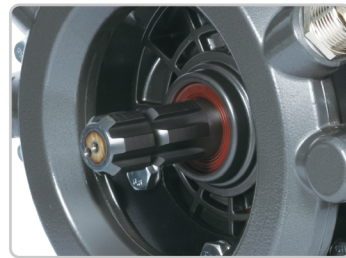
Diaphragm pump consists of pump body, crankshaft, rod, piston, rubber diaphragm, cover, valves, and fittings. The diaphragm on the piston isolates oil chamber from liquid chamber, ensuring lubrication and enabling dry running for convenience.



Optional color schemes



Pump shaft

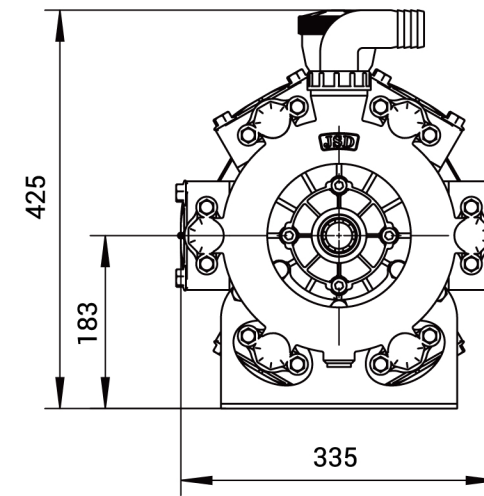


Double spline shaft  
(Back side)

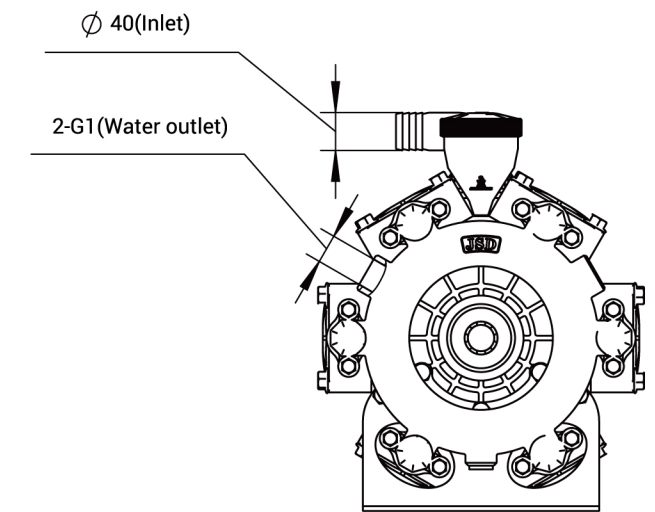


Back side

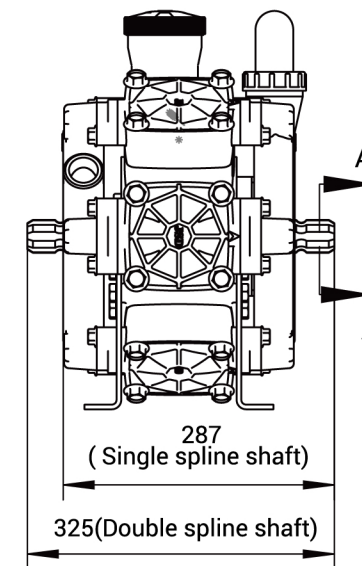
### Product Technical Drawings



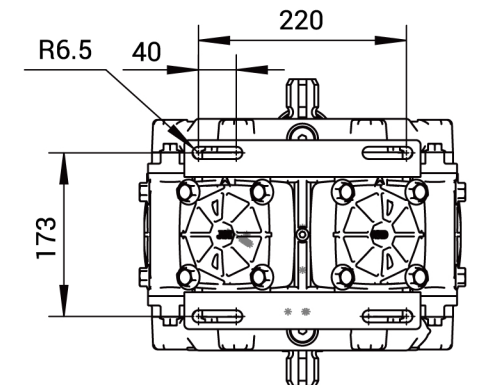
Front view, scale 1:8



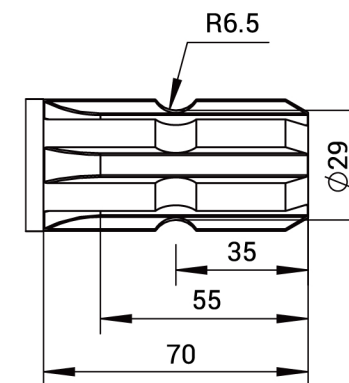
Rear view, scale 1:8



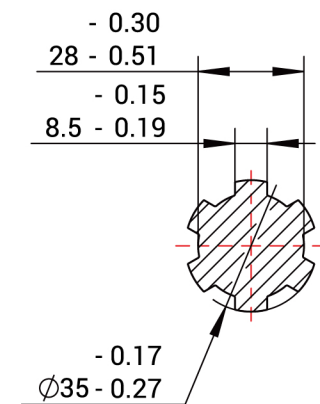
Side view, scale 1:8



Bottom view, scale 1:8



Pump shaft A-A1:2



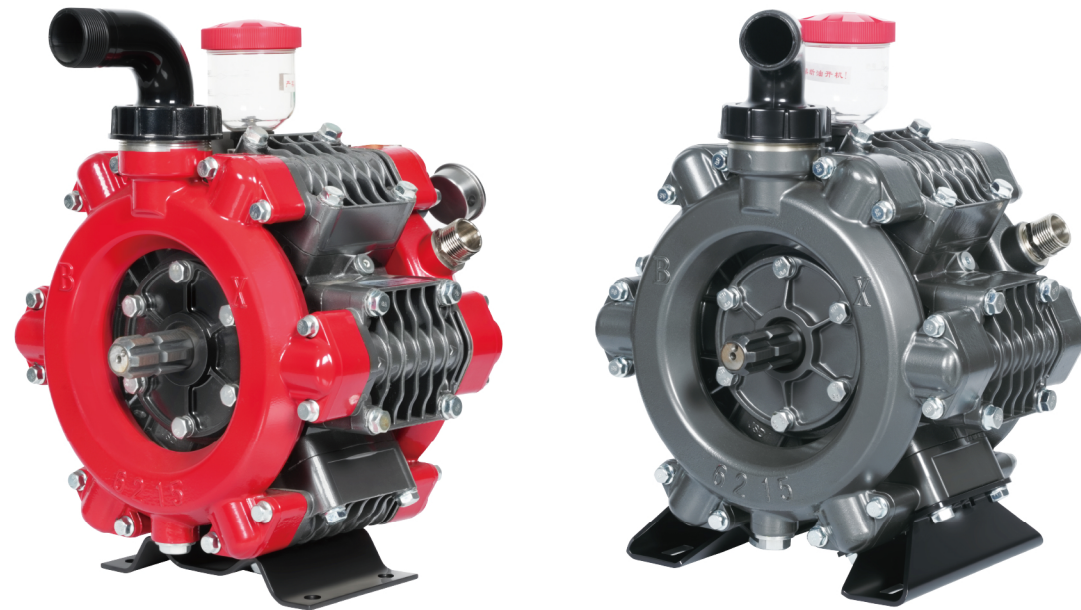
Pump shaft A-A1:2

Model		MB6175/3.0
⊕	Flow rate (L/min)	175
⊕	Rotational speed (r/min)	600
⊕	Pressure (bar)	30
⊕	Power (HP)	14
⊕	Inlet (mm)	40
⊕	Water outlet (mm)	25
⊕	External dimensions (mm)	325X335X425
⊕	Weight (kg)	27
⊕	Number of diaphragms	6

## MB6215/2.5 MB6260/2.5 Diaphragm Pump

### Product Description

Diaphragm pump consists of pump body, crankshaft, rod, piston, rubber diaphragm, cover, valves, and fittings. The diaphragm on the piston isolates oil chamber from liquid chamber, ensuring lubrication and enabling dry running for convenience.



Optional color schemes



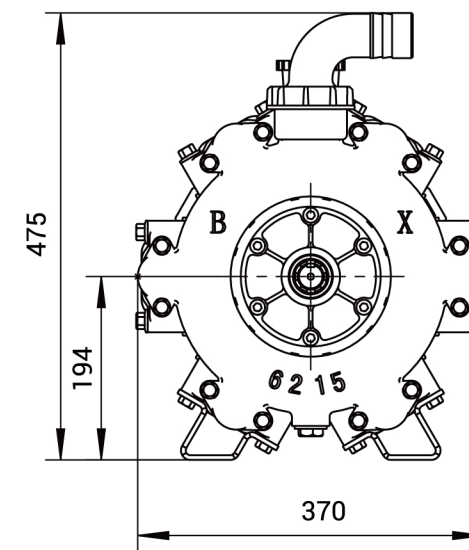
Pump shaft

W/ PR Assembly  
(Back side)

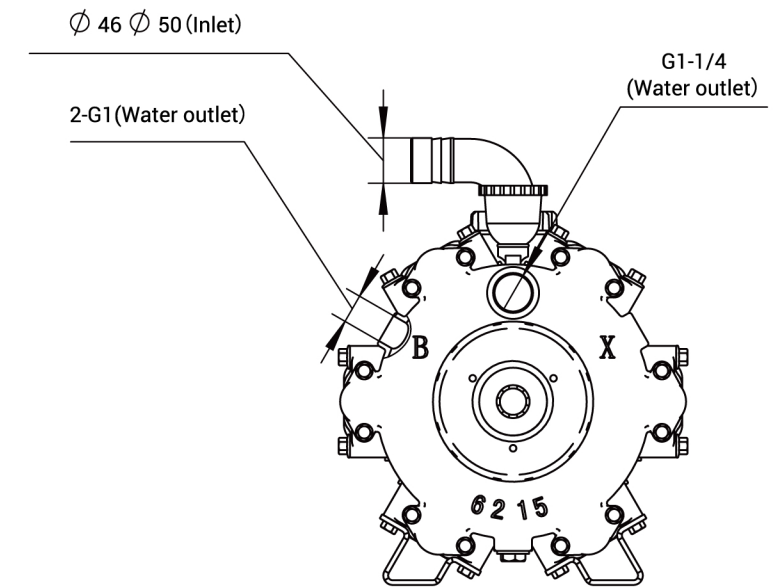
Pump shaft

Single spline shaft  
(Back side)

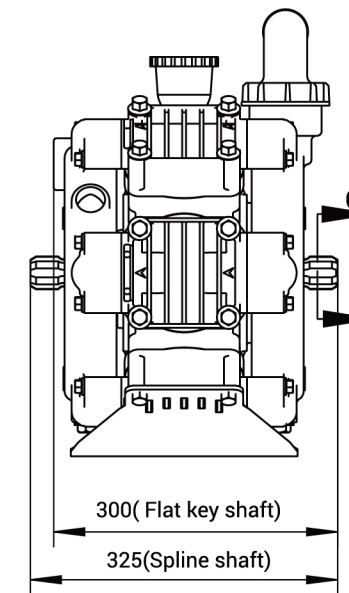
### Product Technical Drawings



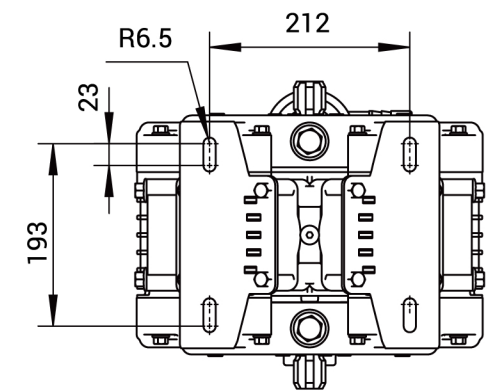
Front view, scale 1:8



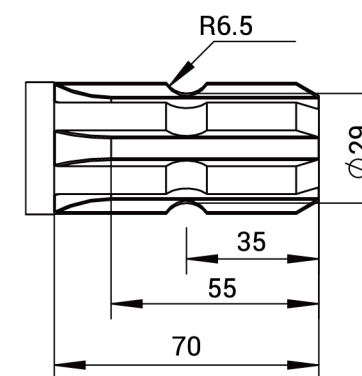
Rear view, scale 1:8



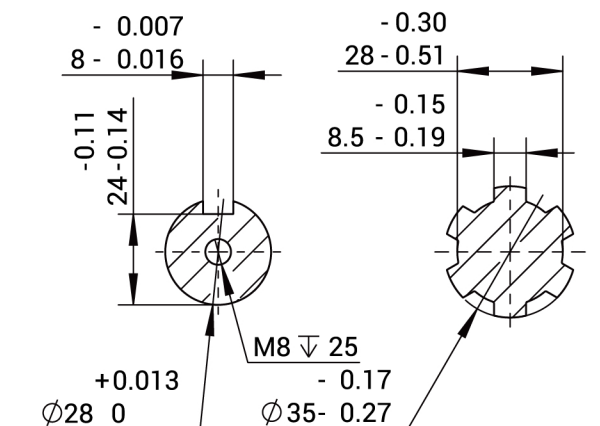
Side view, scale 1:8



Bottom view, scale 1:8



Pump shaft C-C1:2



Pump shaft C-C1:2

Model	MB6215/2.5	MB6260/2.5
① Flow rate (L/min)	215	260
Ⓐ Rotational speed (r/min)	600	600
Ⓒ Pressure (bar)	25	25
⊕ Power (HP)	15	15
⌚ Inlet (mm)	45	50
⌚ Water outlet (mm)	32	40
ⓐ External dimensions (mm)	325X370X475	325X370X475
Ⓢ Weight (kg)	36	36
≡ Number of diaphragms	6	6

## MB6280/2.5 Diaphragm Pump

### Product Description

Diaphragm pump consists of pump body, crankshaft, rod, piston, rubber diaphragm, cover, valves, and fittings. The diaphragm on the piston isolates oil chamber from liquid chamber, ensuring lubrication and enabling dry running for convenience.



Clutch



Single spline shaft



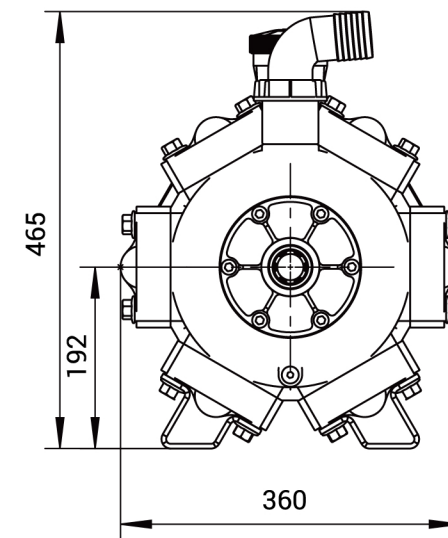
Flat key shaft



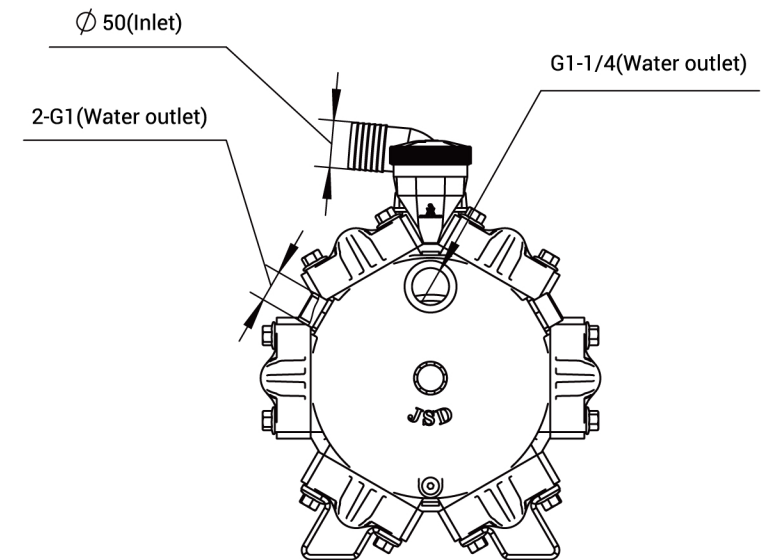
Back side

Model	MB6280/2.5	
Flow rate (L/min)	280	
Rotational speed (r/min)	600	
Pressure (bar)	25	
Power (HP)	16	
Inlet (mm)	50	
Water outlet (mm)	40	
External dimensions (mm)	360X360X465	
Weight (kg)	32	
Number of diaphragms	6	

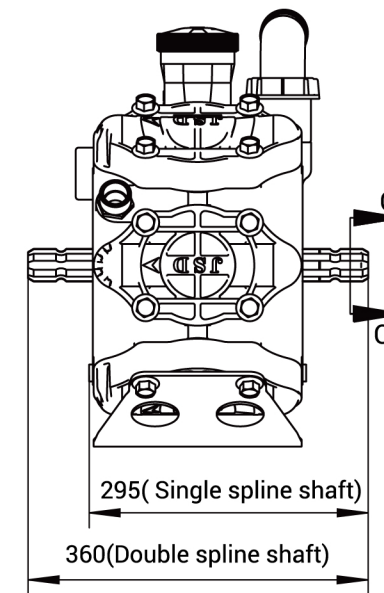
### Product Technical Drawings



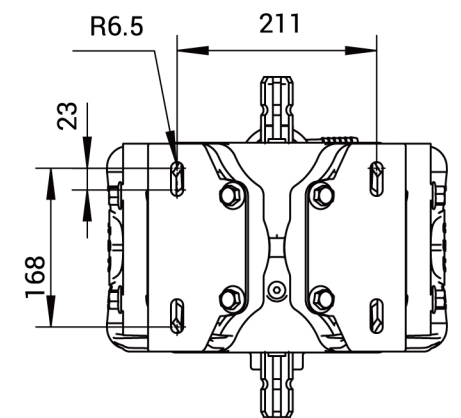
Front view, scale 1:8



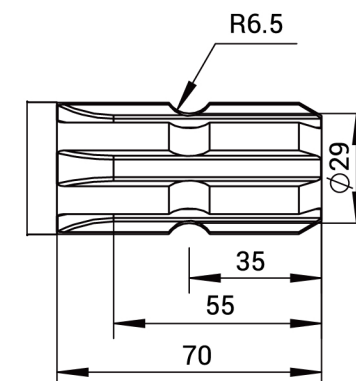
Rear view, scale 1:8



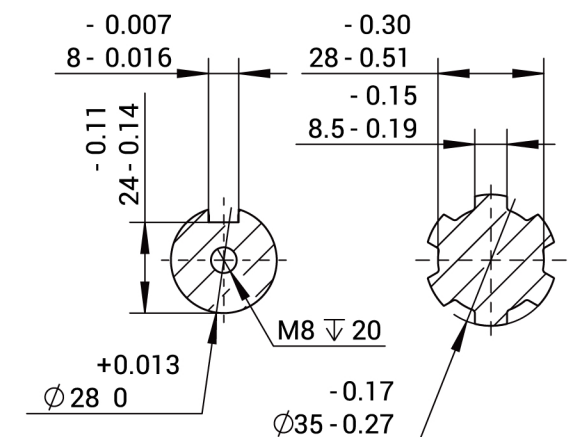
Side view, scale 1:8



Bottom view, scale 1:8



Pump shaft C-C1:2



Pump shaft C-C1:2

## MB6320/2.5 MB6380/2.5 Diaphragm Pump

### Product Description

Diaphragm pump consists of pump body, crankshaft, rod, piston, rubber diaphragm, cover, valves, and fittings. The diaphragm on the piston isolates oil chamber from liquid chamber, ensuring lubrication and enabling dry running for convenience.



Single spline shaft



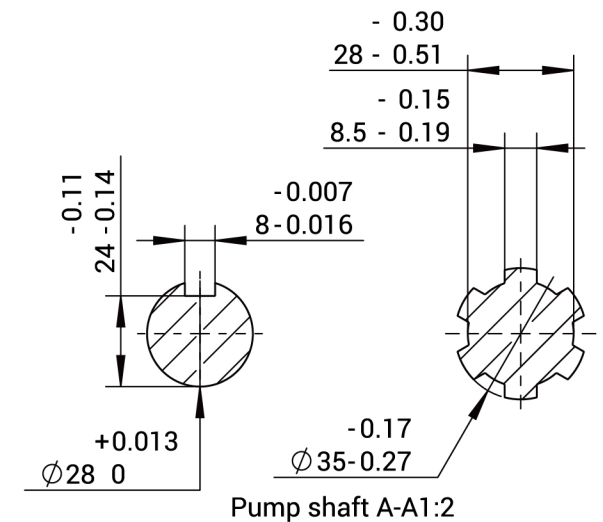
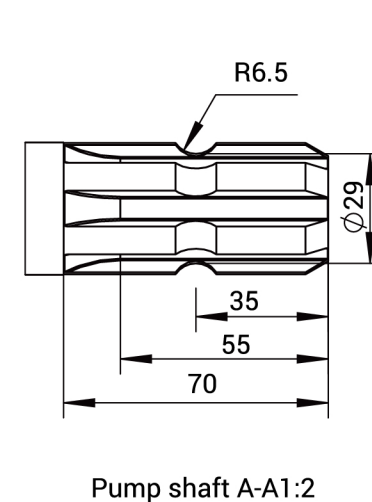
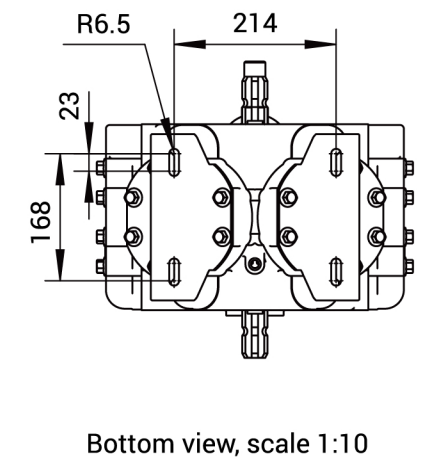
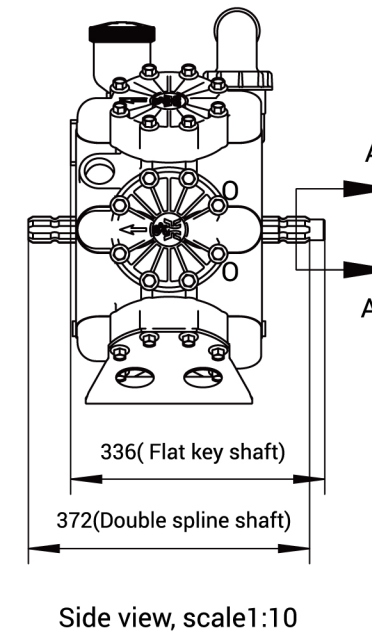
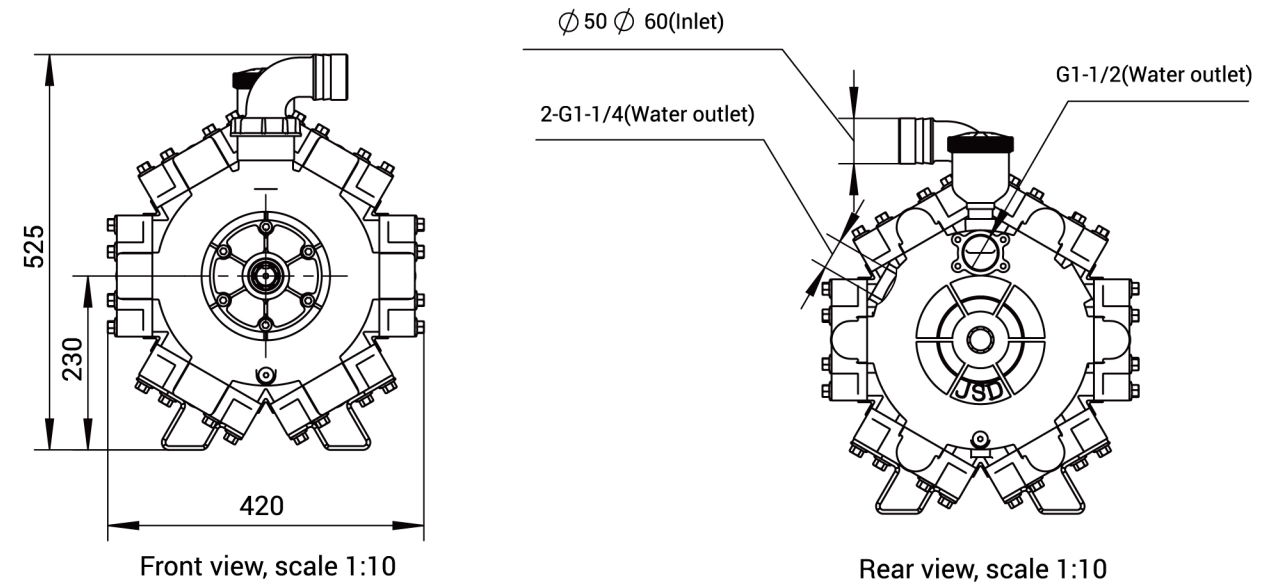
Flat key shaft



Back side

Model	MB6320/2.5	MB6380/2.5
① Flow rate (L/min)	320	380
② Rotational speed (r/min)	600	600
③ Pressure (bar)	25	25
④ Power (HP)	18	18
⑤ Inlet (mm)	50	60
⑥ Water outlet (mm)	40	50
⑦ External dimensions (mm)	372X420X525	372X420X525
⑧ Weight (kg)	42	42
⑨ Number of diaphragms	6	6

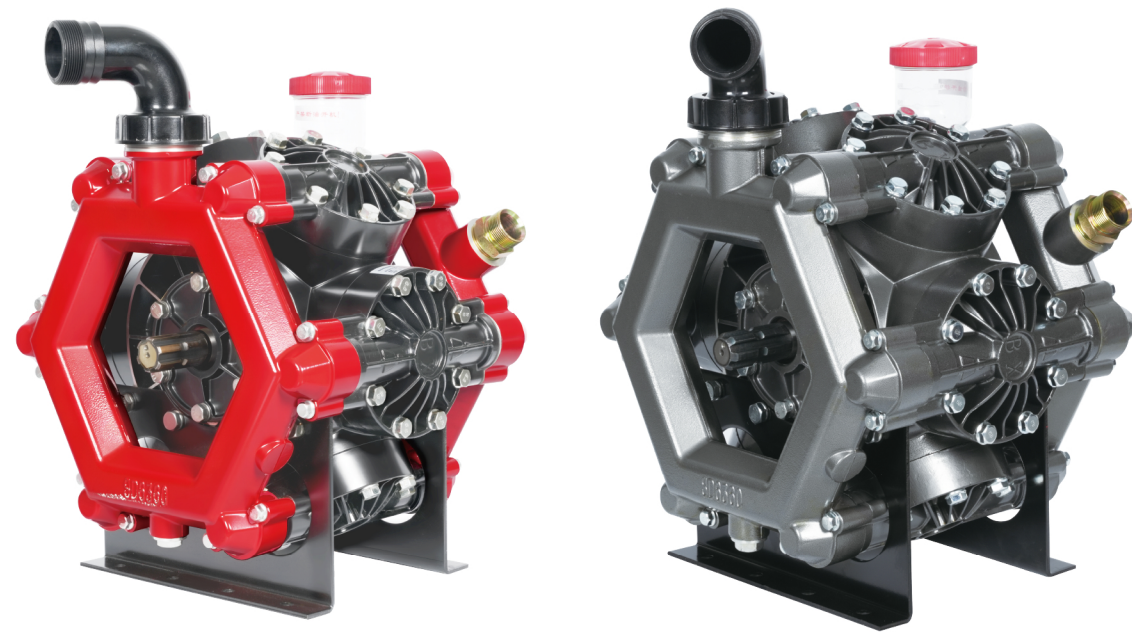
### Product Technical Drawings



## MB6330/2.5 MB6360/2.5 Diaphragm Pump

### Product Description

Diaphragm pump consists of pump body, crankshaft, rod, piston, rubber diaphragm, cover, valves, and fittings. The diaphragm on the piston isolates oil chamber from liquid chamber, ensuring lubrication and enabling dry running for convenience.



Optional color schemes



Pump shaft

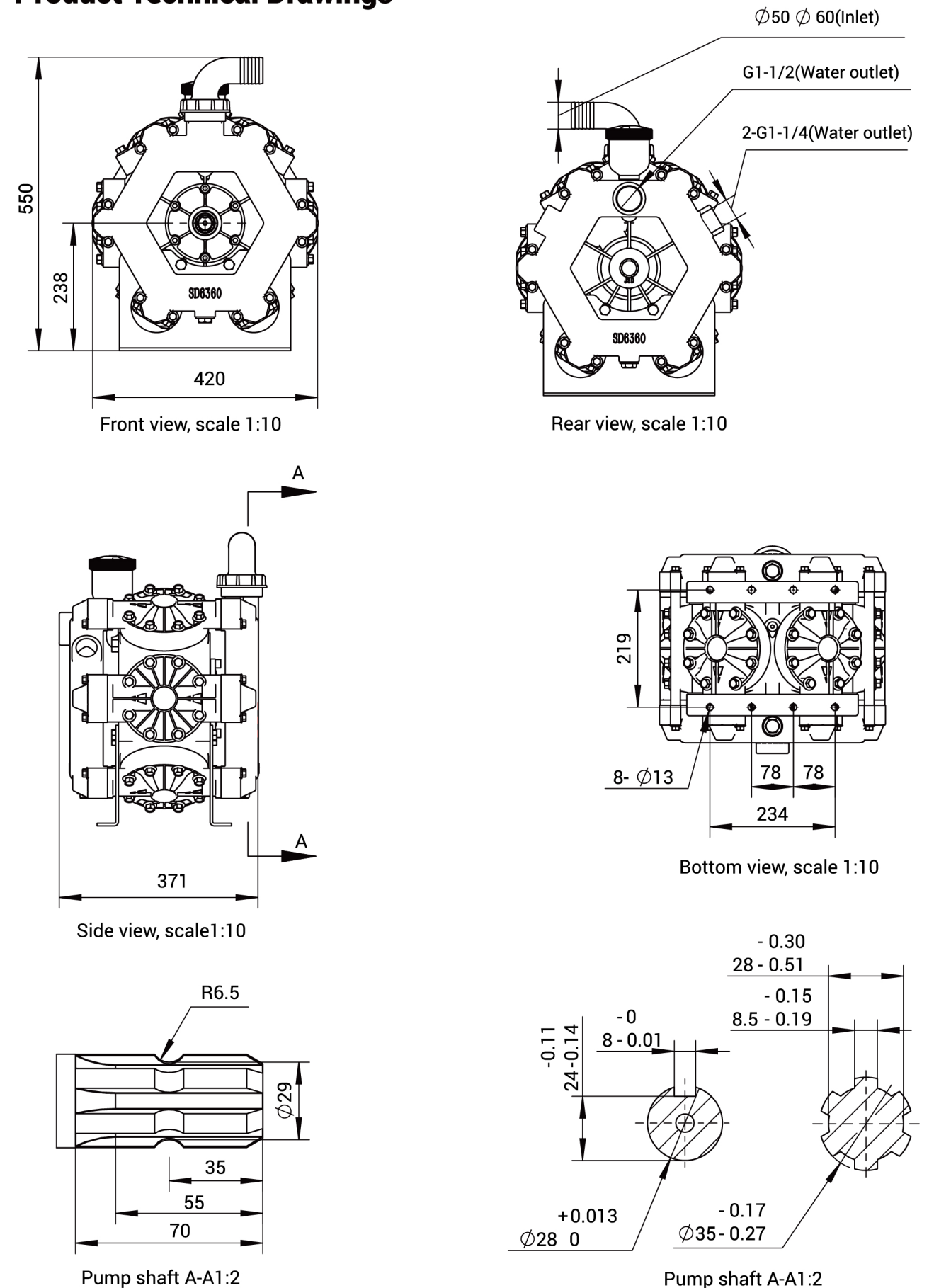
Double spline shaft  
(Back side)

Pump shaft

Single spline shaft  
(Back side)

Model	MB6330/2.5	MB6360/2.5
① Flow rate (L/min)	330	360
⊕ Rotational speed (r/min)	600	600
⊙ Pressure (bar)	25	25
⊕ Power (HP)	18	18
⚡ Inlet (mm)	50	60
⚡ Water outlet (mm)	40	50
📏 External dimensions (mm)	371X420X550	371X420X550
⚖ Weight (kg)	50	50
📦 Number of diaphragms	6	6

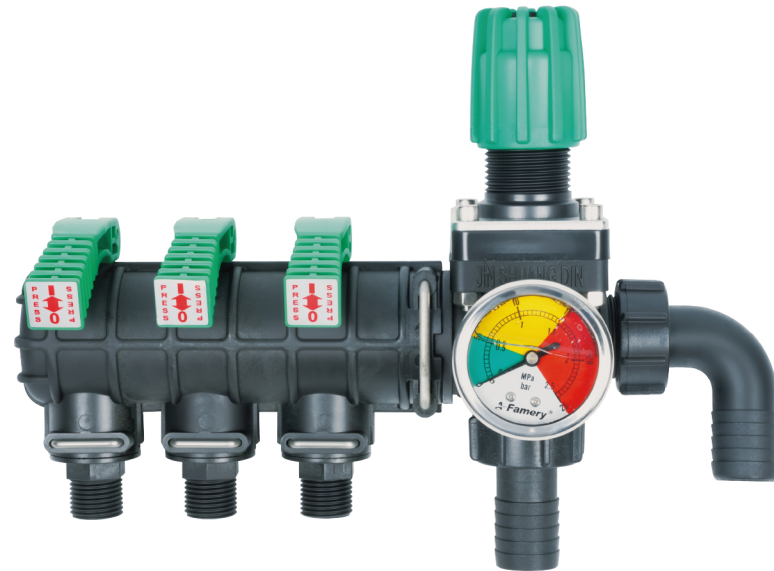
### Product Technical Drawings



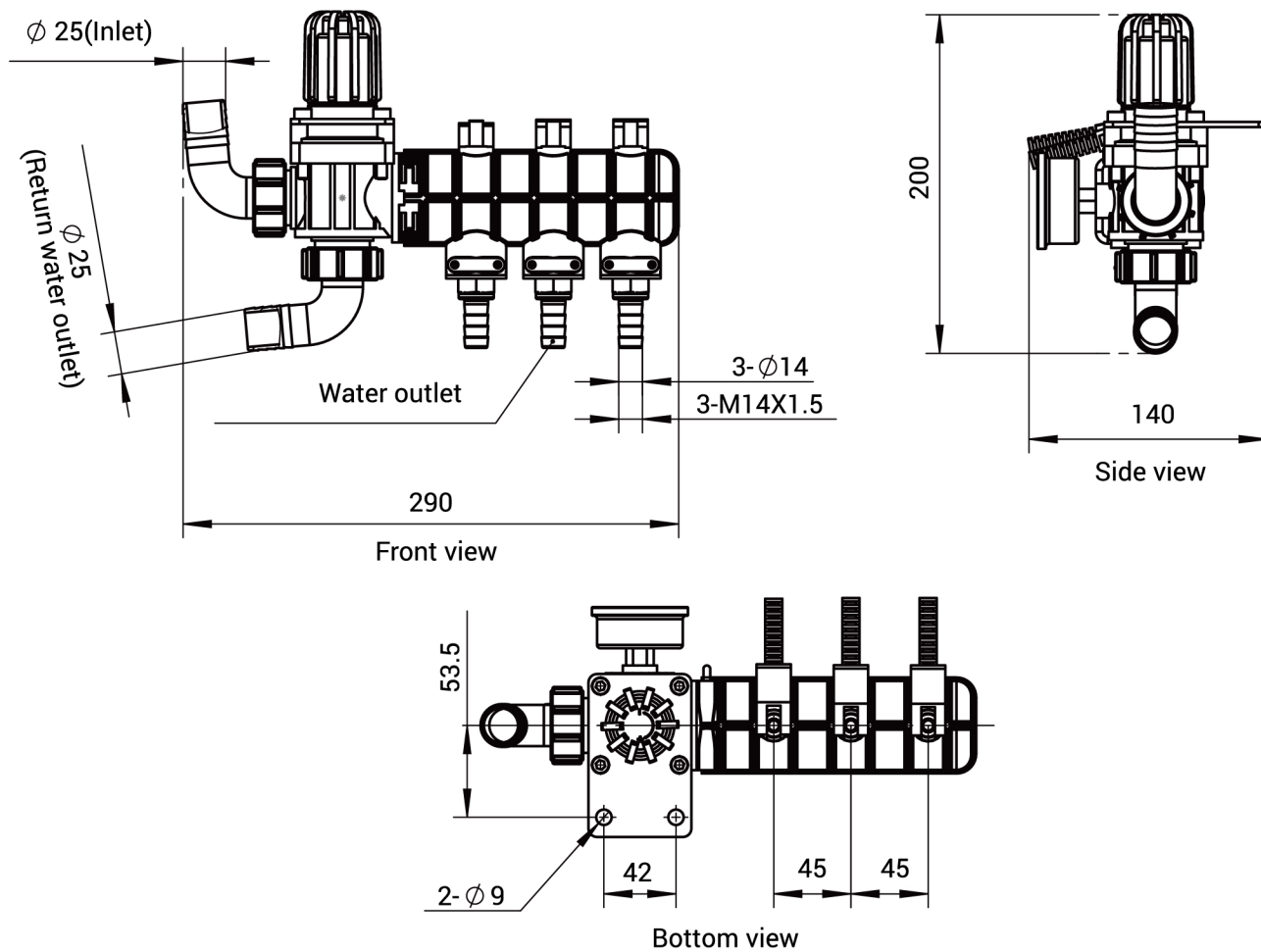
### FLQ-80 3-Way Splitter (Slanted opening 13mm, G1/2)

#### Product Description

Manifold integrates multi-channel control, pressure monitoring, pre-filtration. Three-color gauge, stabilizer for steady pressure & anti-clog, zone regulation, safety relief handle, corrosion-resistant. Core for precise pressure & reliable operation in irrigation/spraying.



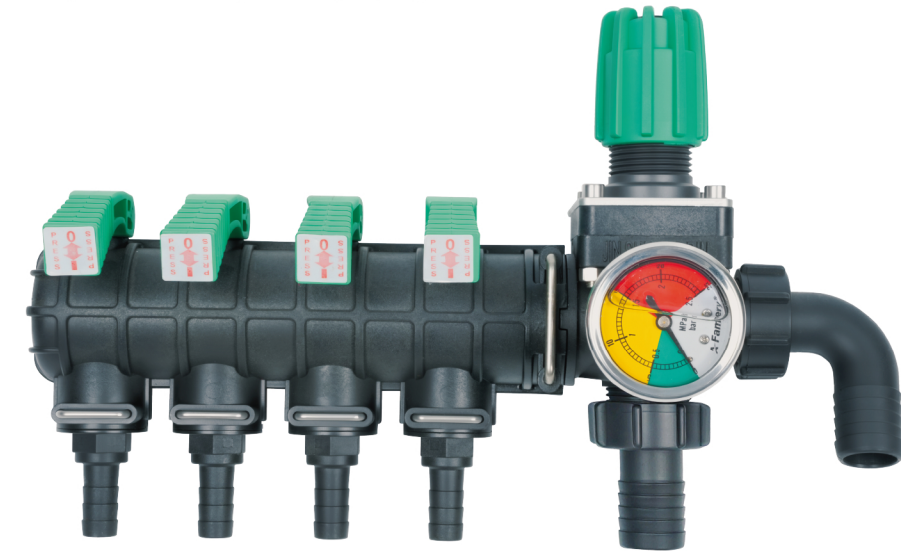
#### Product Technical Drawings



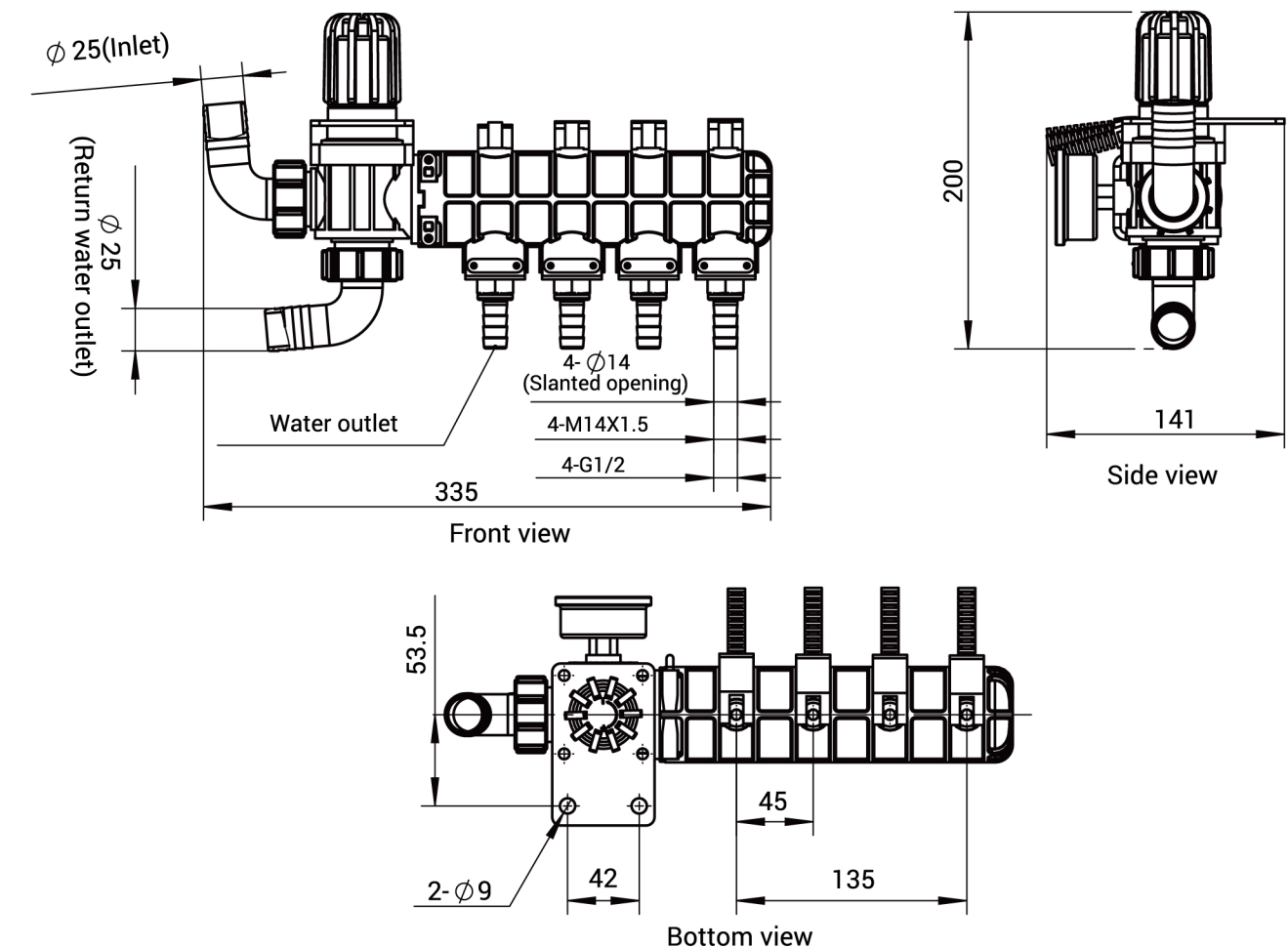
### FLQ-100 4-Way Splitter (Slanted opening 13mm, G1/2)

#### Product Description

Manifold integrates multi-channel control, pressure monitoring, pre-filtration. Three-color gauge, stabilizer for steady pressure & anti-clog, zone regulation, safety relief handle, corrosion-resistant. Core for precise pressure & reliable operation in irrigation/spraying.



#### Product Technical Drawings



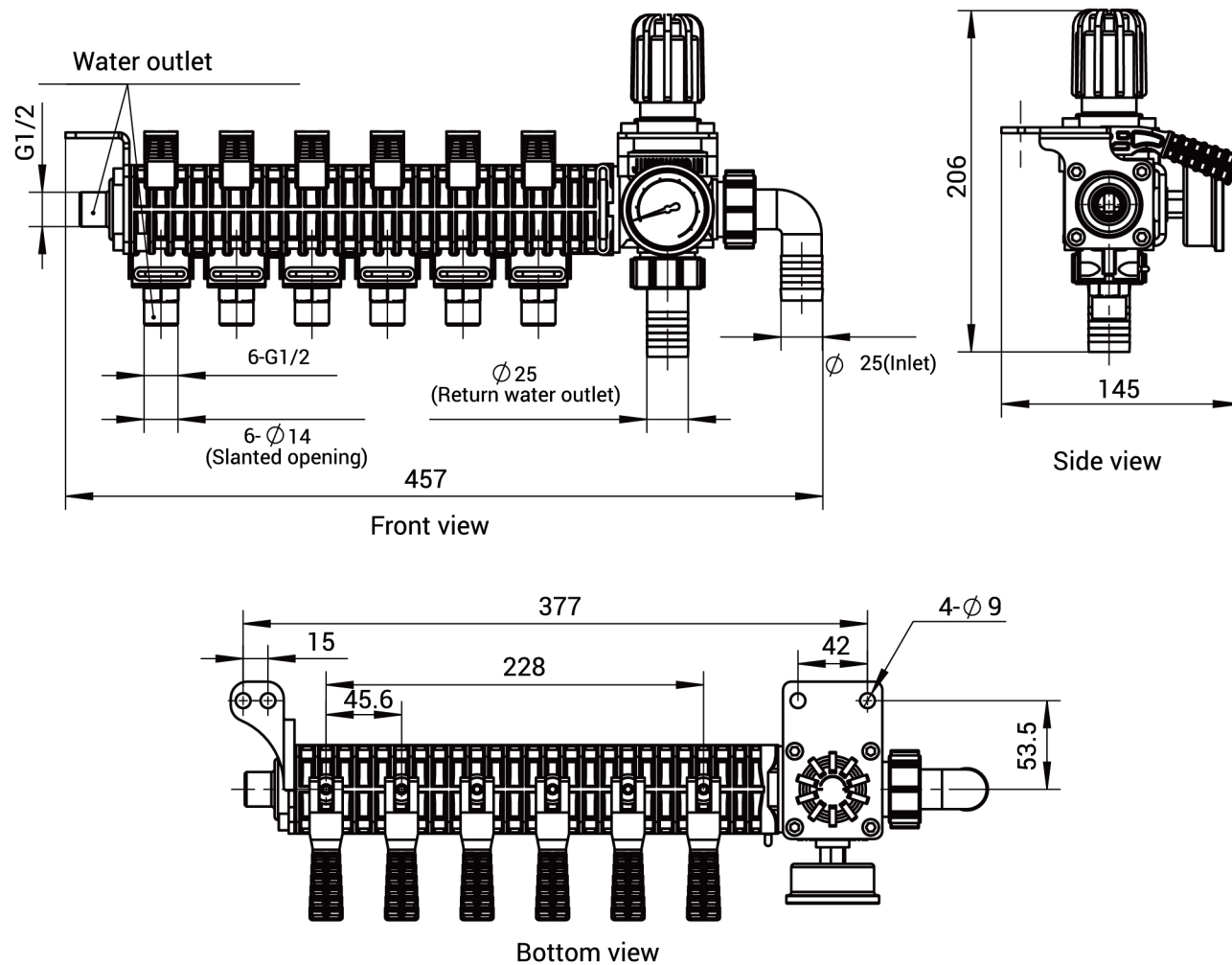
### FLQ-120 6-Way Splitter (Slanted opening 13mm, G1/2)

#### Product Description

Manifold integrates multi-channel control, pressure monitoring, pre-filtration. Three-color gauge, stabilizer for steady pressure & anti-clog, zone regulation, safety relief handle, corrosion-resistant. Core for precise pressure & reliable operation in irrigation/spraying.



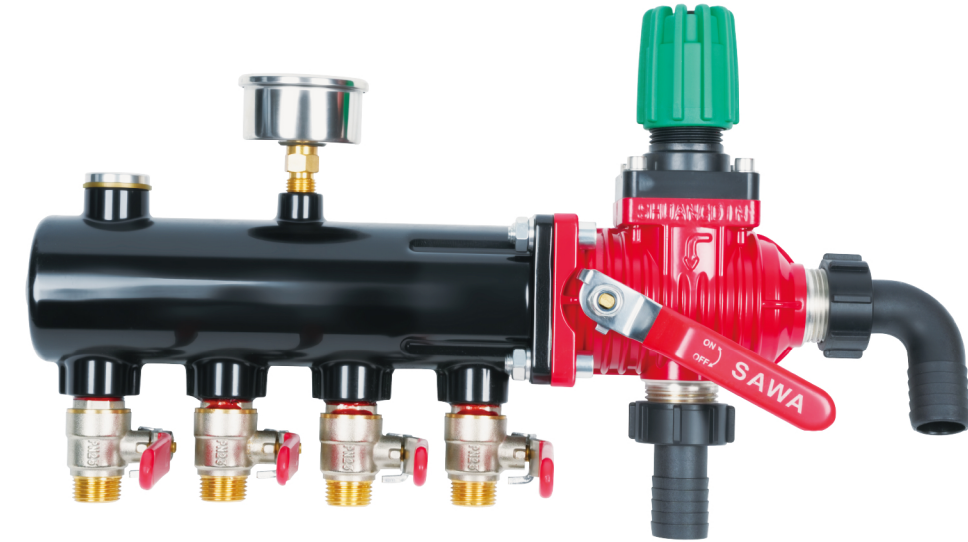
#### Product Technical Drawings



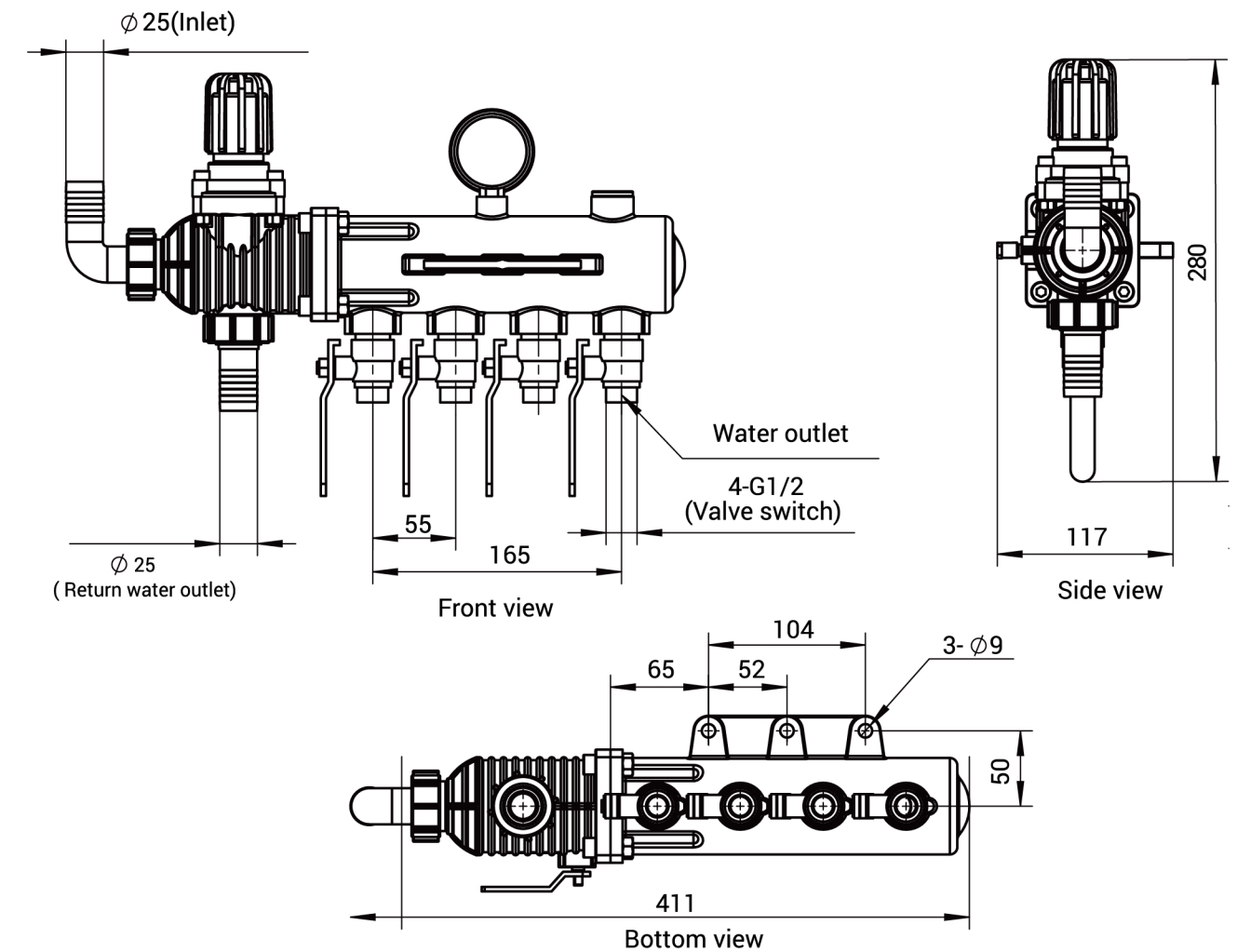
### FLQ-160 Aluminum 4-Way Splitter

#### Product Description

Manifold integrates multi-channel control, pressure monitoring, pre-filtration. Three-color gauge, stabilizer for steady pressure & anti-clog, zone regulation, safety relief handle, corrosion-resistant. Core for precise pressure & reliable operation in irrigation/spraying.



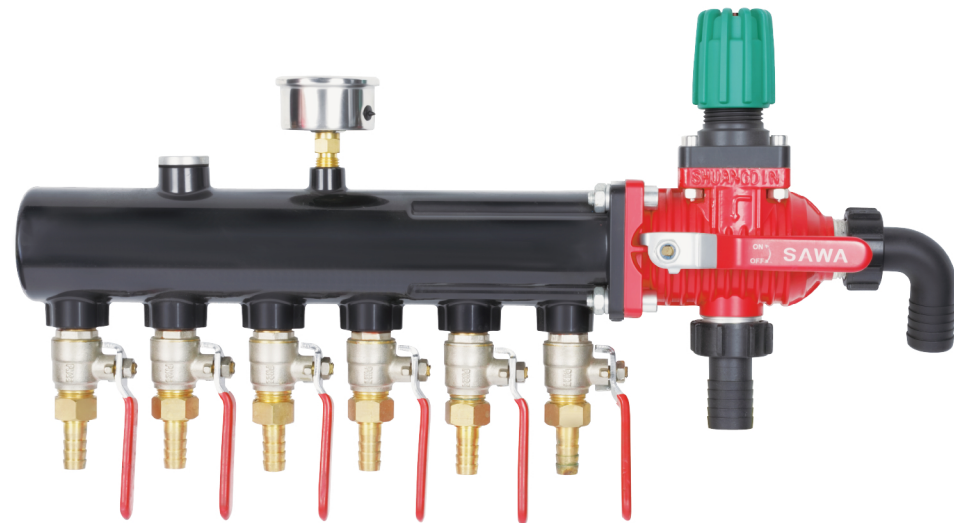
#### Product Technical Drawings



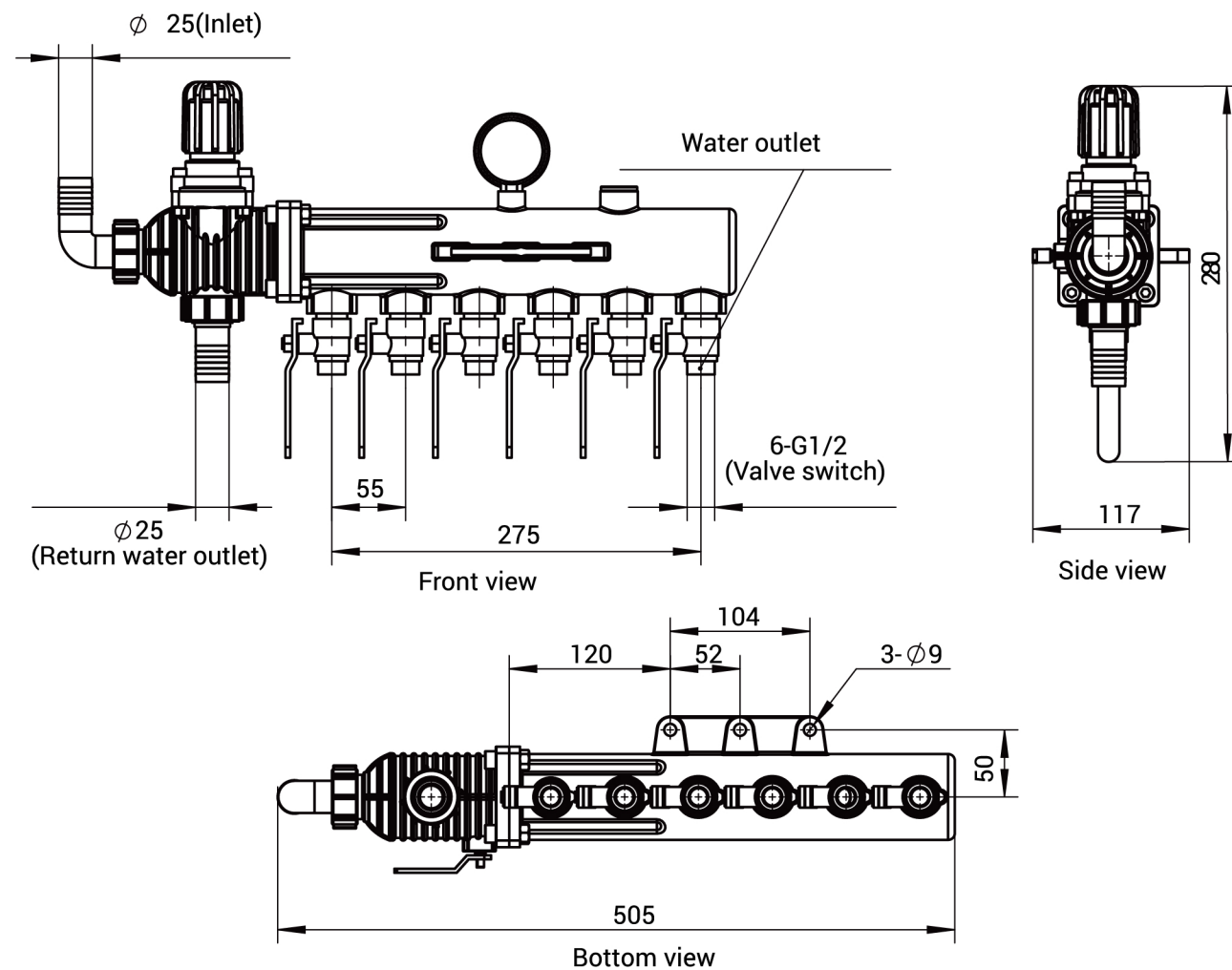
### FLQ-200 Aluminum 6-Way Splitter

#### Product Description

Manifold integrates multi-channel control, pressure monitoring, pre-filtration. Three-color gauge, stabilizer for steady pressure & anti-clog, zone regulation, safety relief handle, corrosion-resistant. Core for precise pressure & reliable operation in irrigation/spraying.



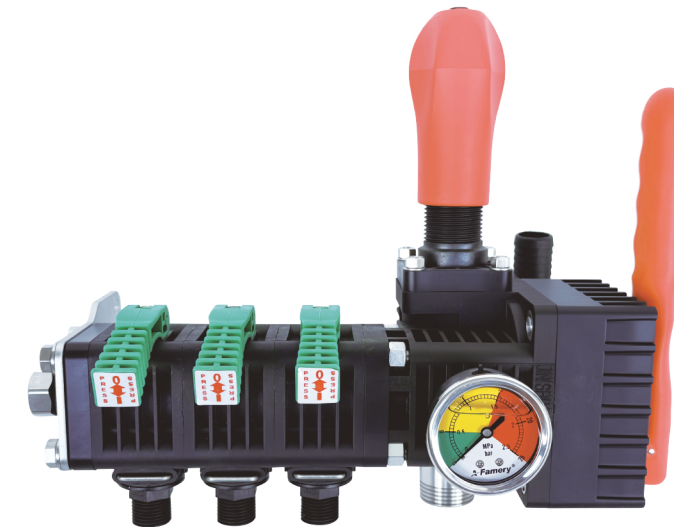
#### Product Technical Drawings



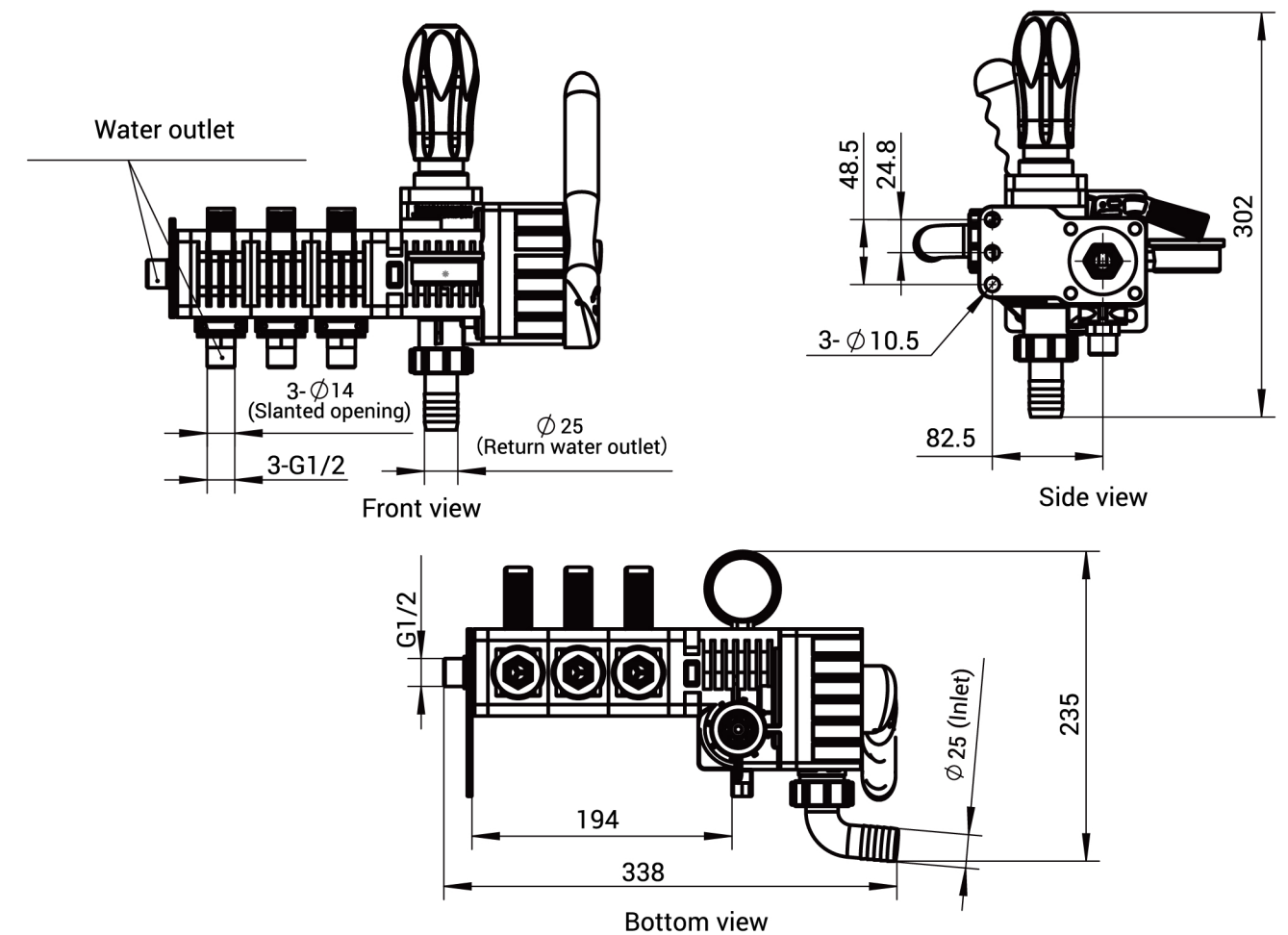
### FLQ-130 3-Way Splitter

#### Product Description

Manifold integrates multi-channel control, pressure monitoring, pre-filtration. Three-color gauge, stabilizer for steady pressure & anti-clog, zone regulation, safety relief handle, corrosion-resistant. Core for precise pressure & reliable operation in irrigation/spraying.



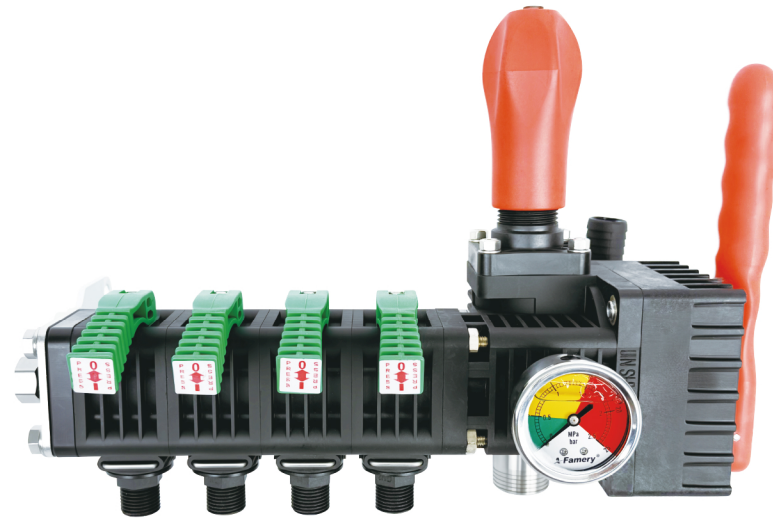
#### Product Technical Drawings



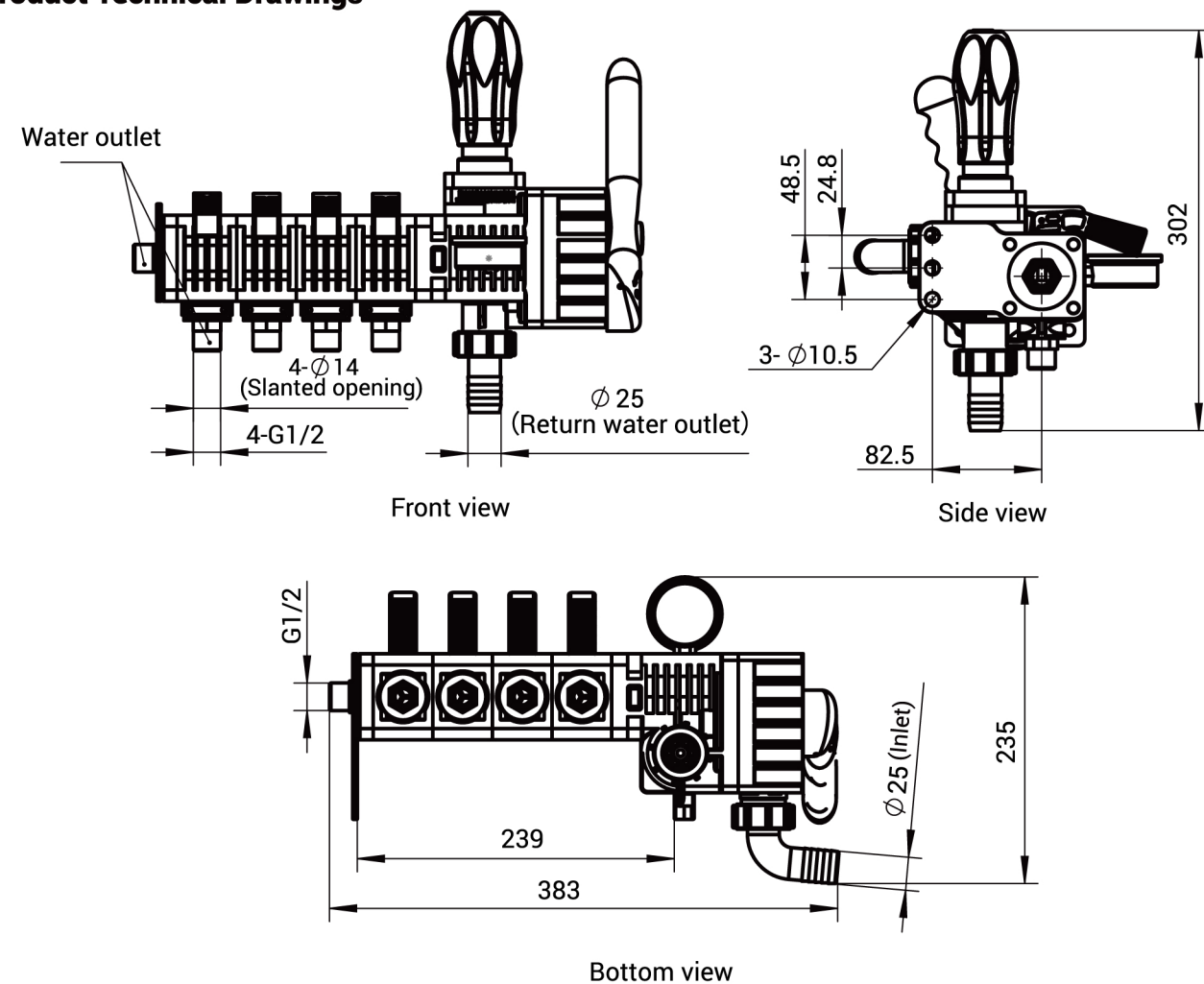
### FLQ-140 4-Way Splitter

#### Product Description

Manifold integrates multi-channel control, pressure monitoring, pre-filtration. Three-color gauge, stabilizer for steady pressure & anti-clog, zone regulation, safety relief handle, corrosion-resistant. Core for precise pressure & reliable operation in irrigation/spraying.



#### Product Technical Drawings



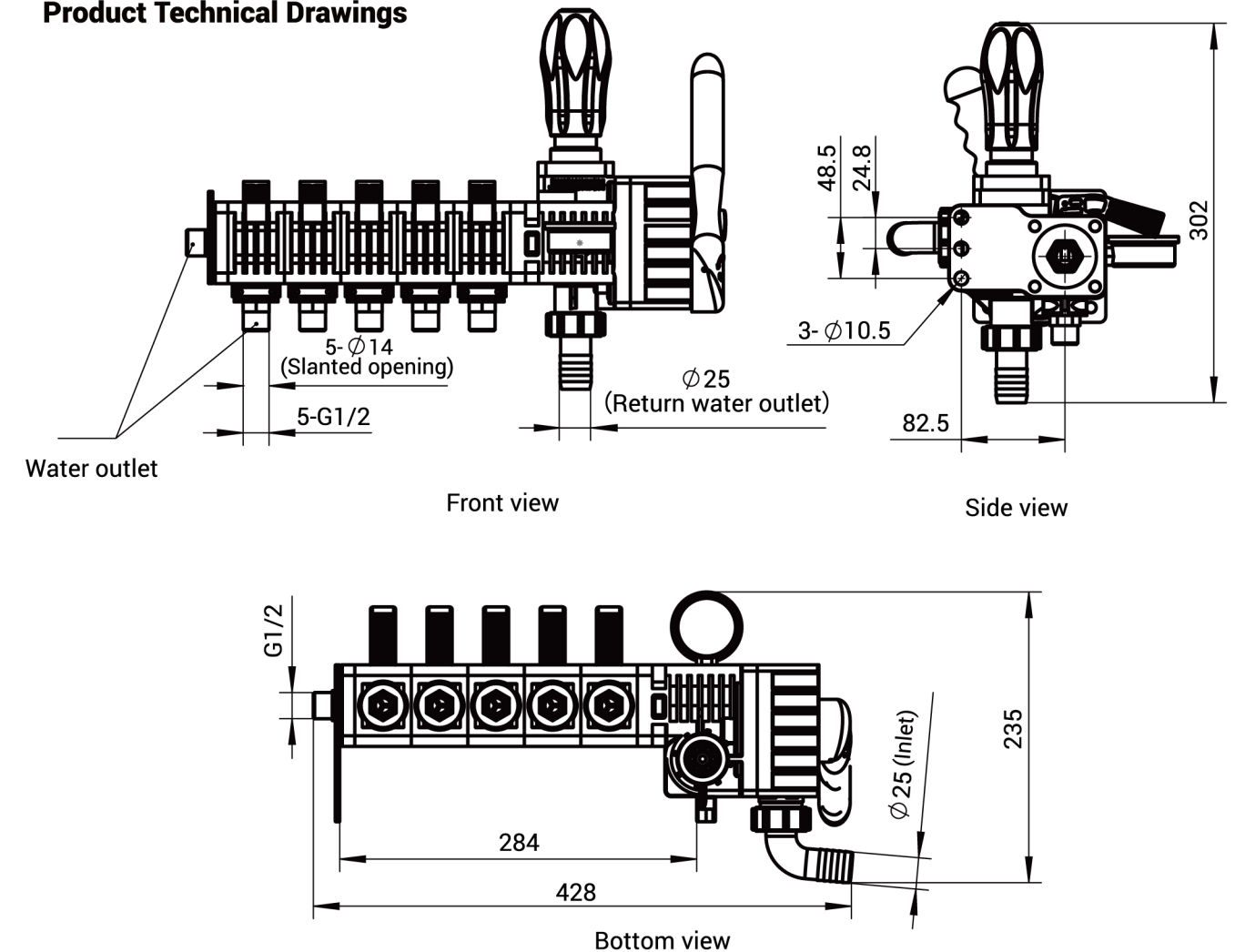
### FLQ-150 5-Way Splitter

#### Product Description

Manifold integrates multi-channel control, pressure monitoring, pre-filtration. Three-color gauge, stabilizer for steady pressure & anti-clog, zone regulation, safety relief handle, corrosion-resistant. Core for precise pressure & reliable operation in irrigation/spraying.



#### Product Technical Drawings



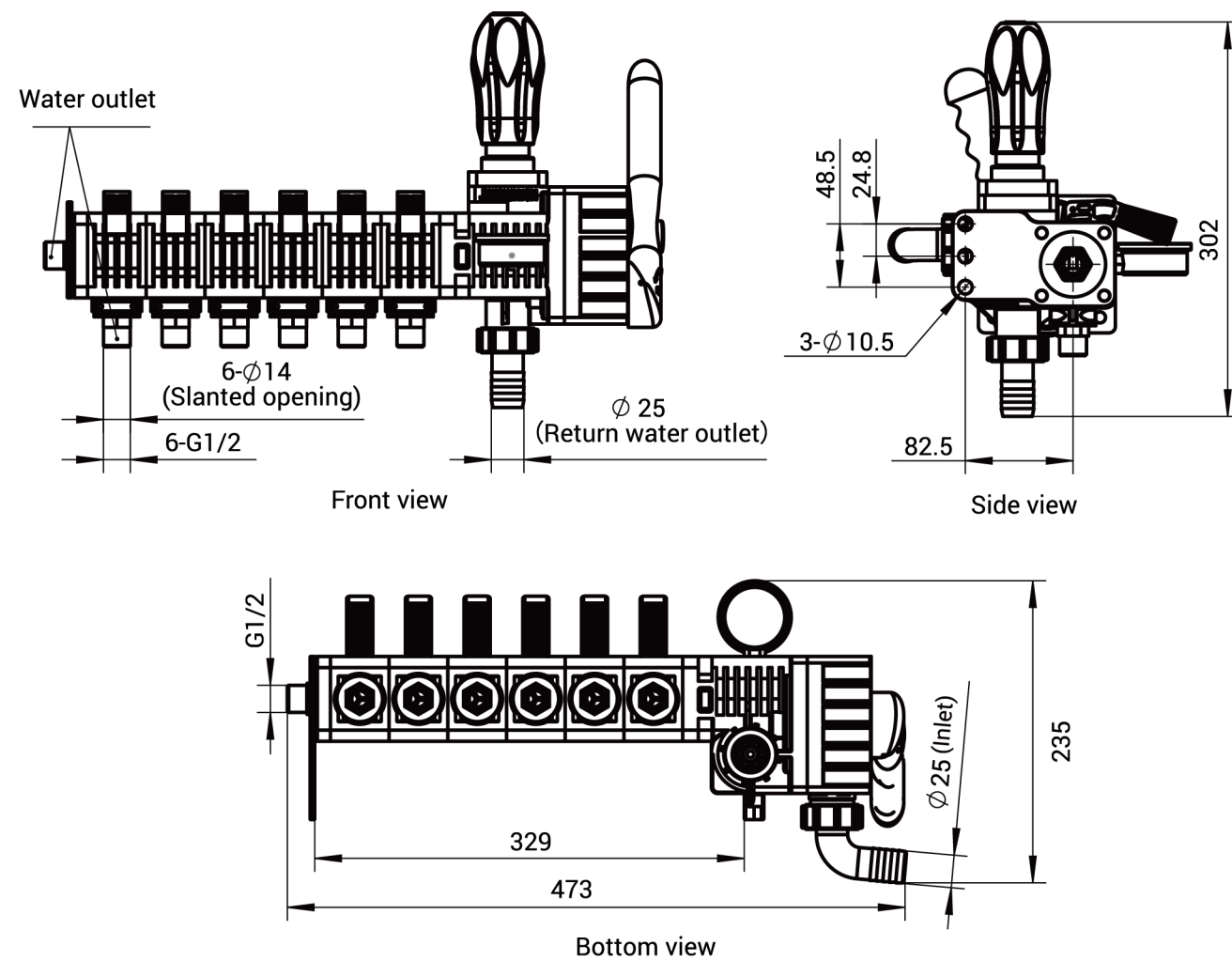
### FLQ-180 6-Way Splitter

#### Product Description

Manifold integrates multi-channel control, pressure monitoring, pre-filtration. Three-color gauge, stabilizer for steady pressure & anti-clog, zone regulation, safety relief handle, corrosion-resistant. Core for precise pressure & reliable operation in irrigation/spraying.



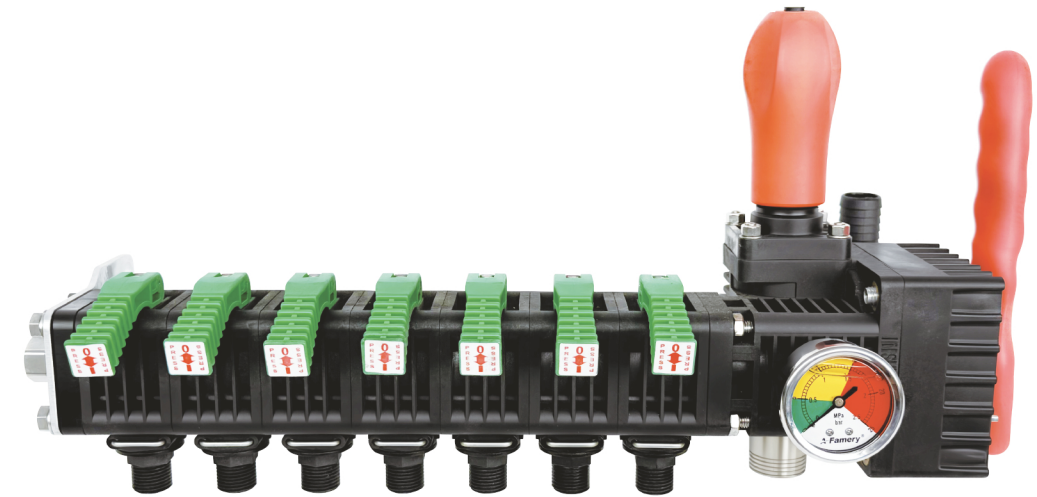
#### Product Technical Drawings



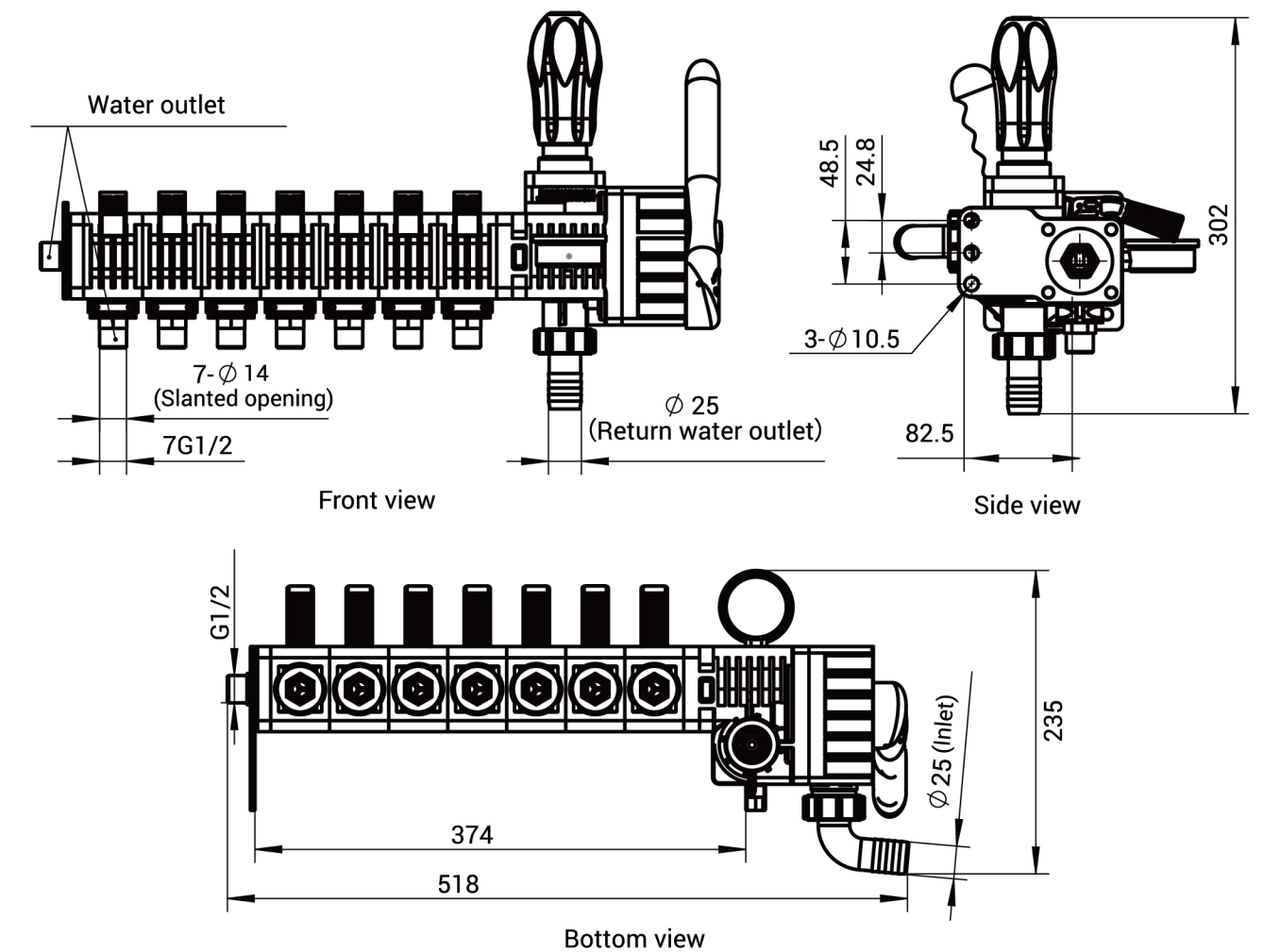
### FLQ-190 7-Way Splitter

#### Product Description

Manifold integrates multi-channel control, pressure monitoring, pre-filtration. Three-color gauge, stabilizer for steady pressure & anti-clog, zone regulation, safety relief handle, corrosion-resistant. Core for precise pressure & reliable operation in irrigation/spraying.



#### Product Technical Drawings



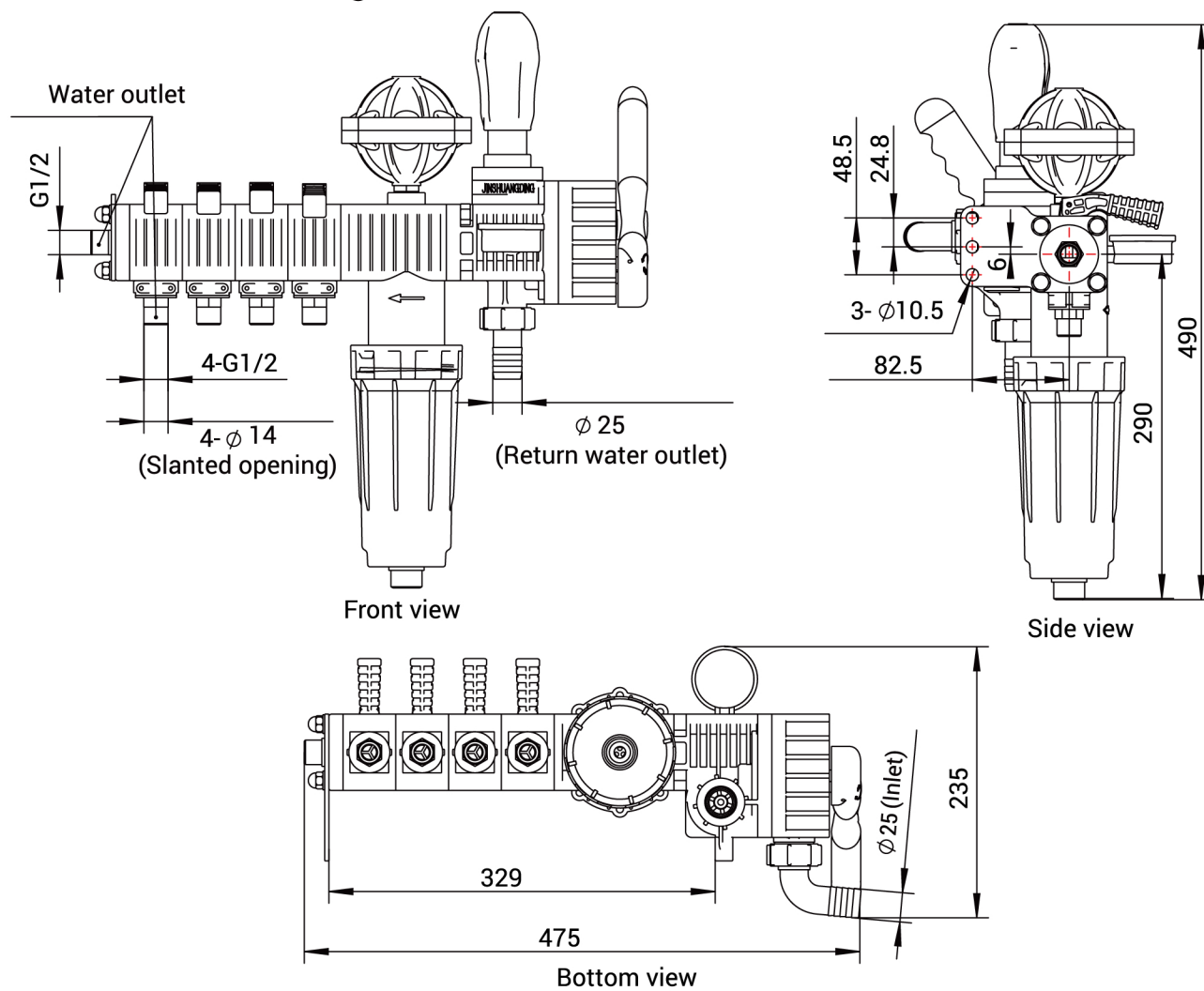
### QGFLQ-140 4-Way Splitter

#### Product Description

Manifold integrates multi-channel control, pressure monitoring, pre-filtration. Three-color gauge, stabilizer for steady pressure & anti-clog, zone regulation, safety relief handle, corrosion-resistant. Core for precise pressure & reliable operation in irrigation/spraying.



#### Product Technical Drawings



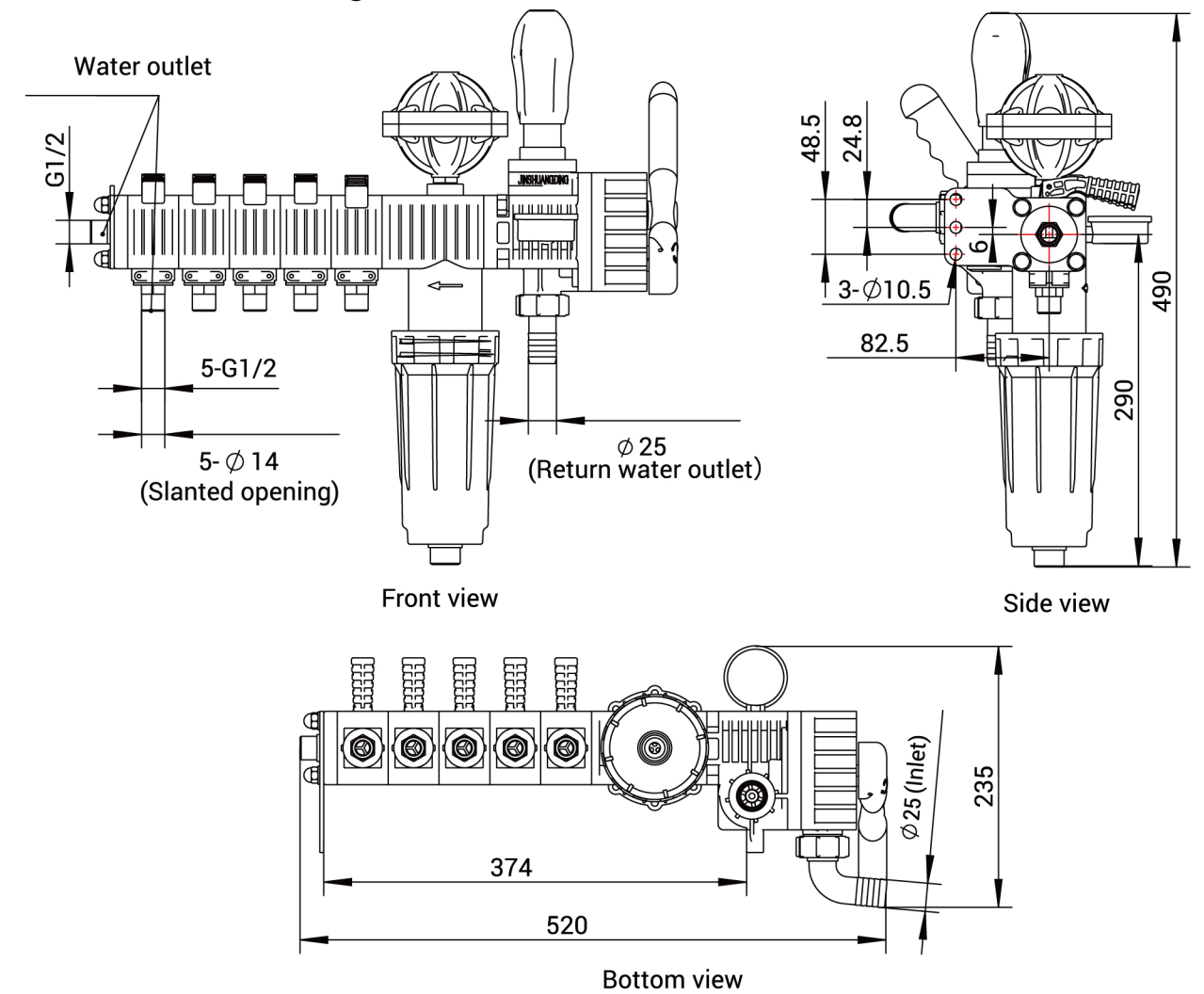
### QGFLQ-150 5-Way Splitter

#### Product Description

Manifold integrates multi-channel control, pressure monitoring, pre-filtration. Three-color gauge, stabilizer for steady pressure & anti-clog, zone regulation, safety relief handle, corrosion-resistant. Core for precise pressure & reliable operation in irrigation/spraying.



#### Product Technical Drawings



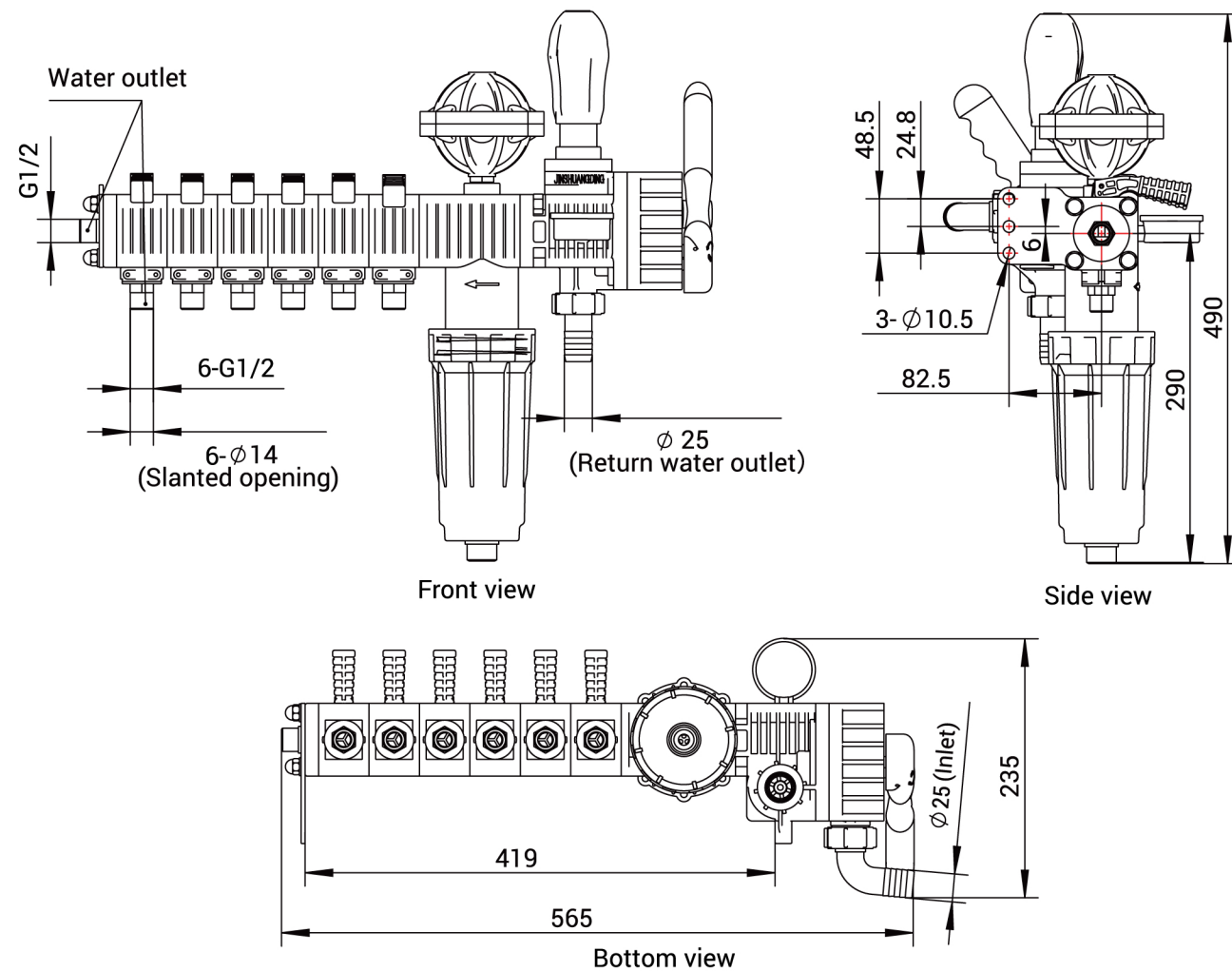
### QGFLQ-180 6-Way Splitter

#### Product Description

Manifold integrates multi-channel control, pressure monitoring, pre-filtration. Three-color gauge, stabilizer for steady pressure & anti-clog, zone regulation, safety relief handle, corrosion-resistant. Core for precise pressure & reliable operation in irrigation/spraying.



#### Product Technical Drawings



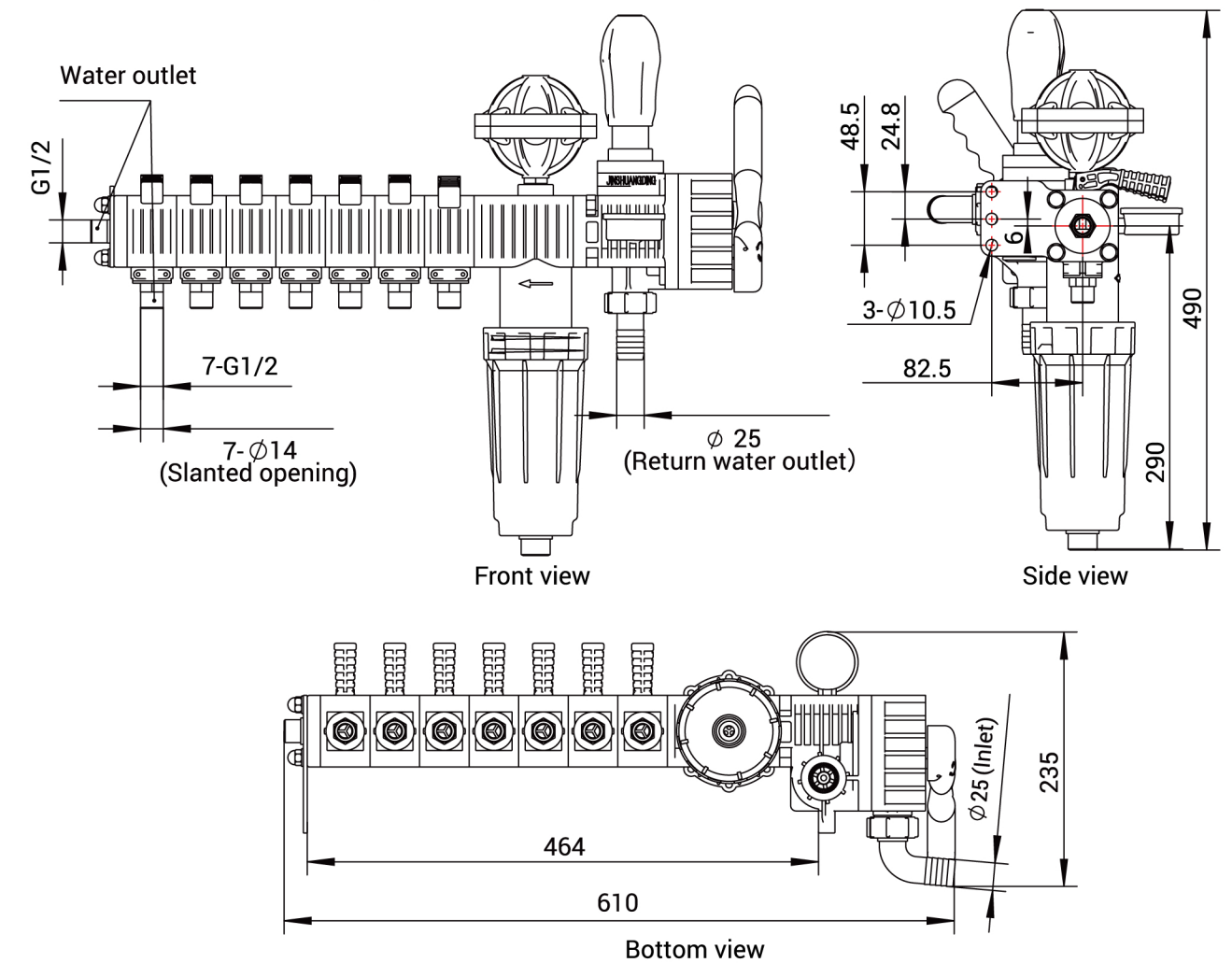
### QGFLQ-190 7-Way Splitter

#### Product Description

Manifold integrates multi-channel control, pressure monitoring, pre-filtration. Three-color gauge, stabilizer for steady pressure & anti-clog, zone regulation, safety relief handle, corrosion-resistant. Core for precise pressure & reliable operation in irrigation/spraying.



#### Product Technical Drawings



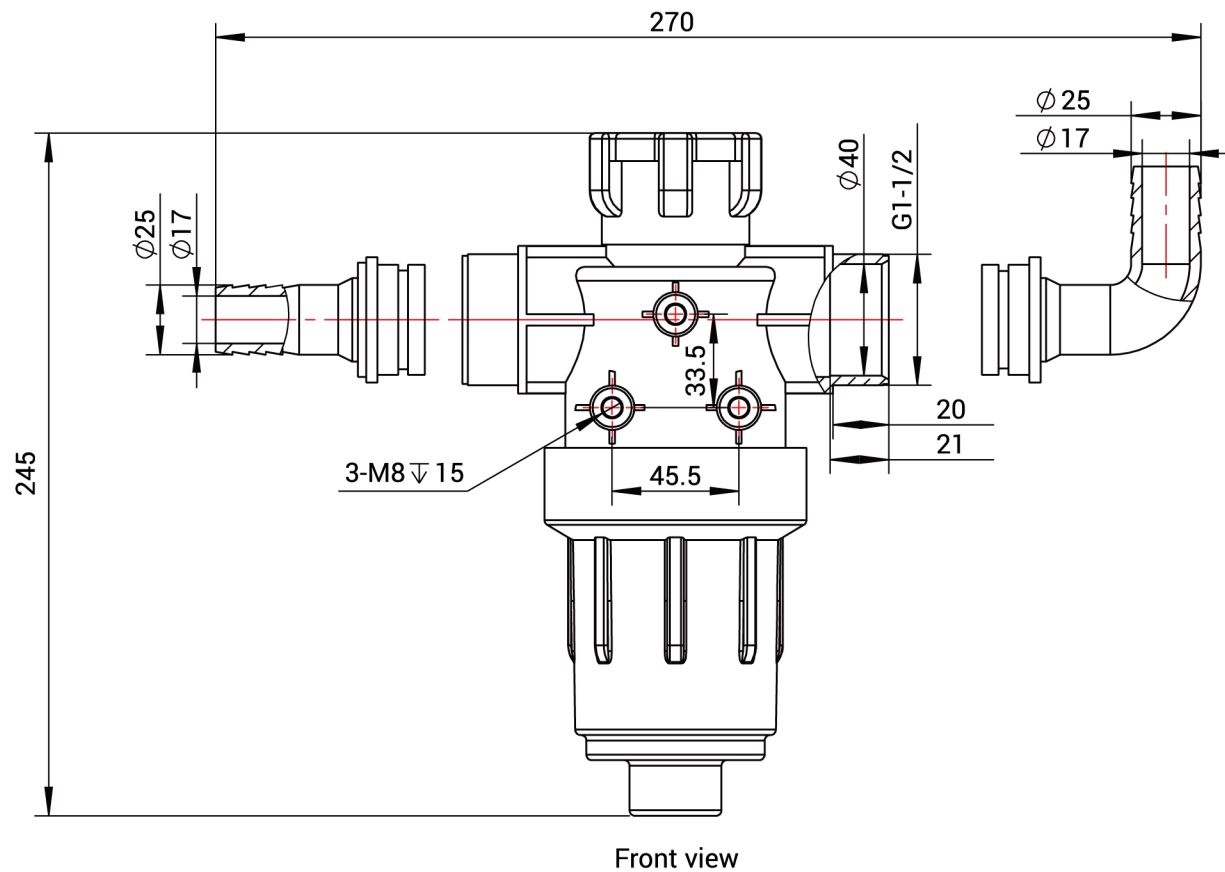
### GL-80 Filter

#### Product Description

Corrosion-resistant plastic filter with regulator. Transparent bowl for debris. Fine mesh stops nozzle clogging. Top knob adjusts pressure. Quick-connect fittings ease maintenance. Core for stable spraying and longer equipment life.



#### Product Technical Drawings



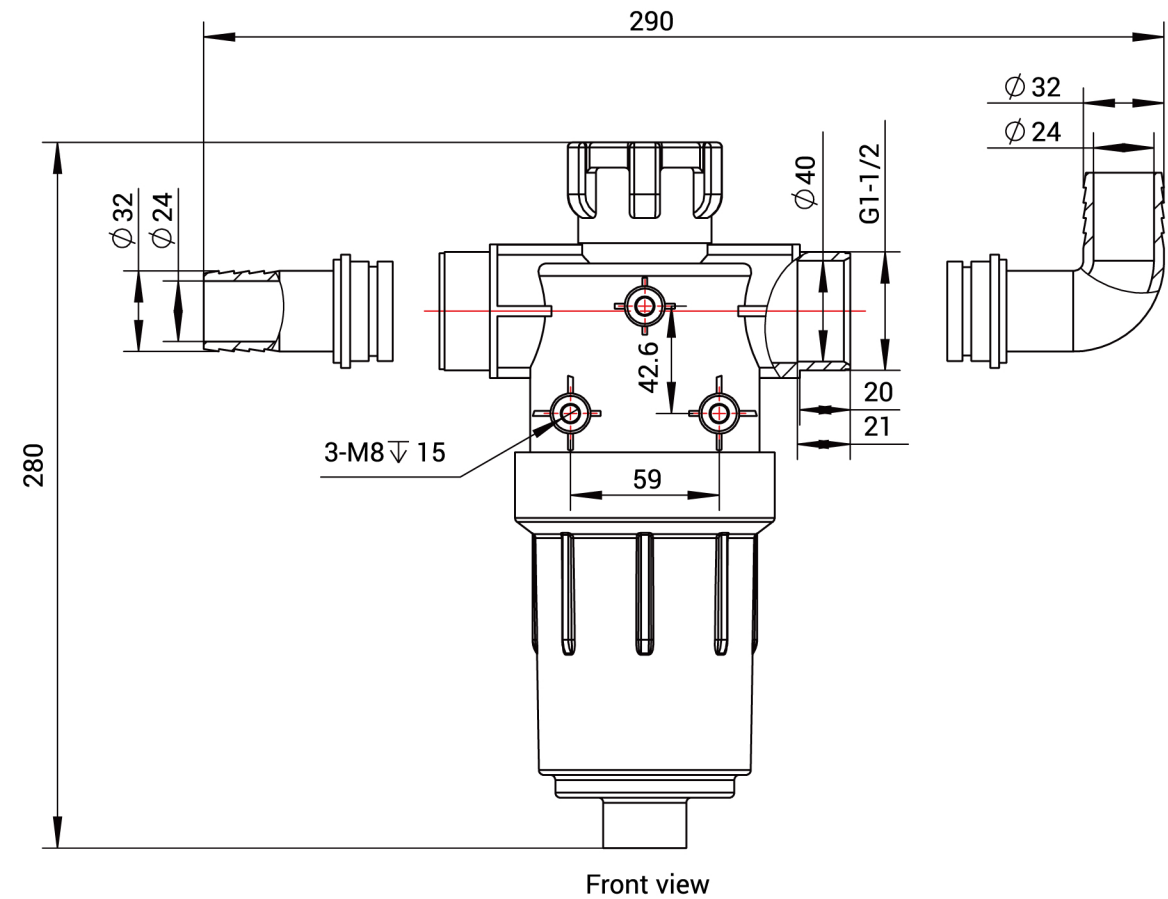
### GL-160 Filter

#### Product Description

Corrosion-resistant plastic filter with regulator. Transparent bowl for debris. Fine mesh stops nozzle clogging. Top knob adjusts pressure. Quick-connect fittings ease maintenance. Core for stable spraying and longer equipment life.



#### Product Technical Drawings



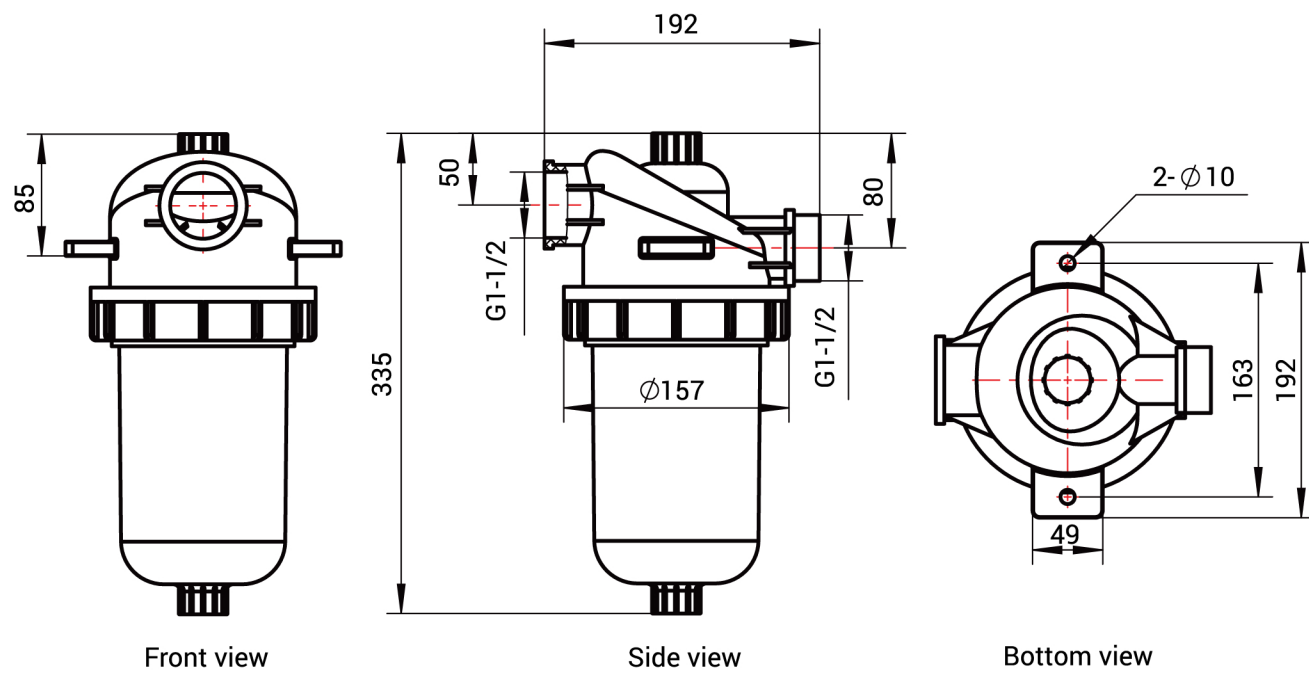
### GL-180Filter

#### Product Description

Corrosion-resistant plastic filter with regulator. Transparent bowl for debris. Fine mesh stops nozzle clogging. Top knob adjusts pressure. Quick-connect fittings ease maintenance. Core for stable spraying and longer equipment life.



#### Product Technical Drawings



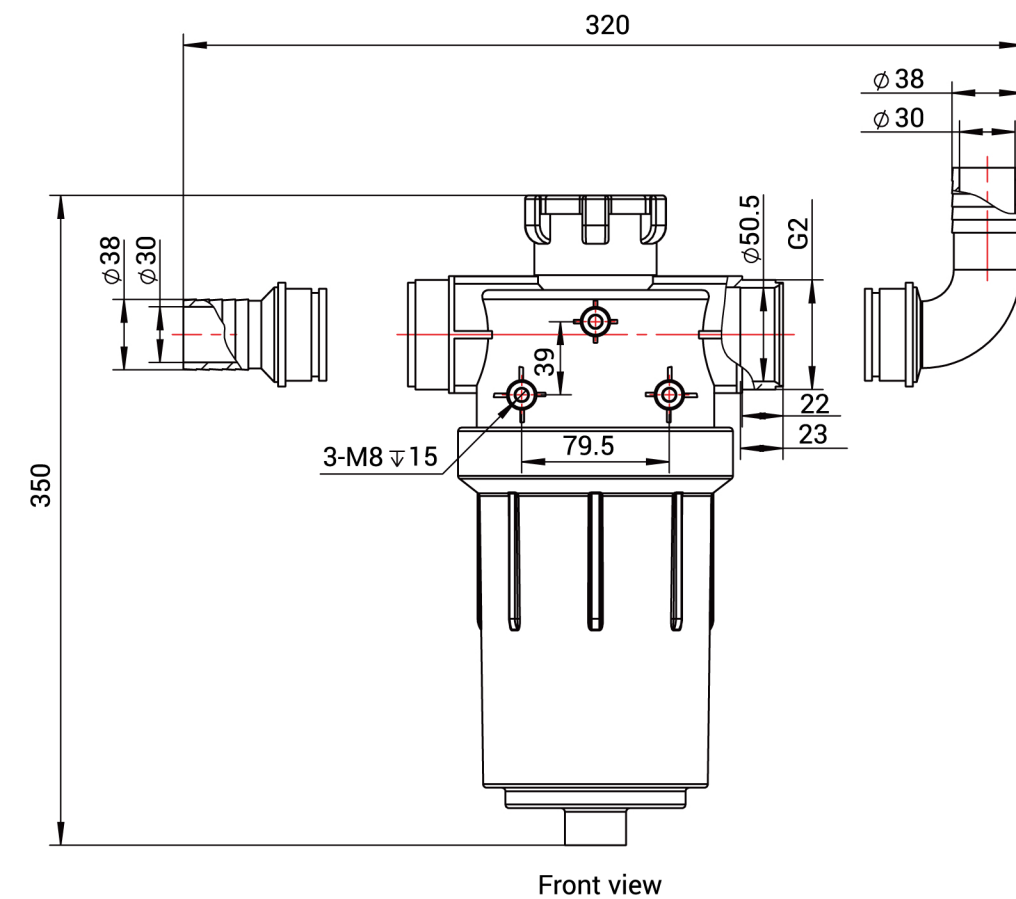
### GL-200Filter

#### Product Description

Corrosion-resistant plastic filter with regulator. Transparent bowl for debris. Fine mesh stops nozzle clogging. Top knob adjusts pressure. Quick-connect fittings ease maintenance. Core for stable spraying and longer equipment life.



#### Product Technical Drawings



## YLF-300 Relief Valve, 1 inch/1.2 inch

### Product Description

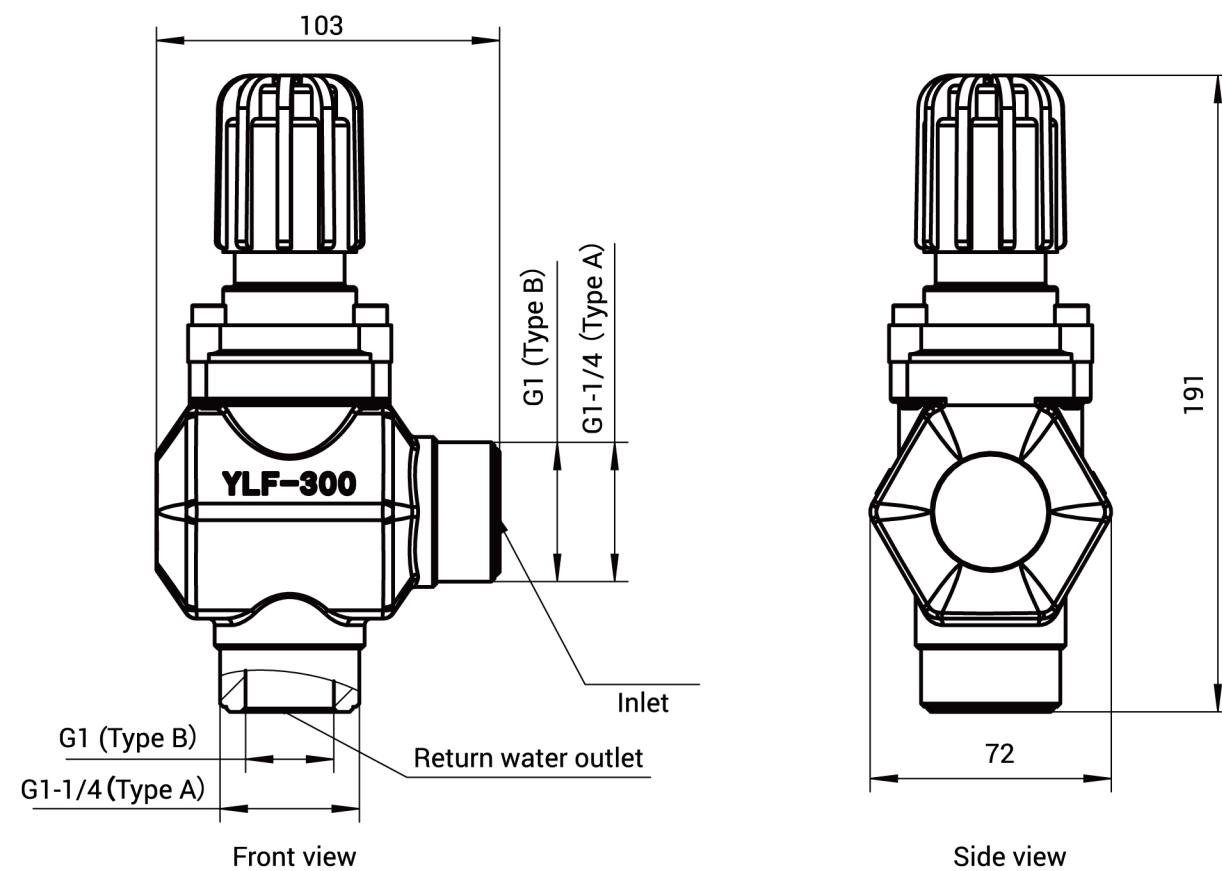
High-strength aluminum alloy valve for 1"/1.2" outlets. Non-slip knob for precise pressure regulation and stable operation. Overpressure relief prevents damage to pump and lines. Corrosion-resistant for all chemicals. Core component for stable pressure and equipment safety in spraying systems.



1-inch water outlet

1.2-inch water outlet

### Product Technical Drawings



## Diaphragm

### Product Description

Precision-molded from special rubber and composite. Withstands high-frequency flexing without cracking or delamination. Seals tightly between piston, chamber, and plate—prevents leakage and ensures high self-priming.



## One-Way Valve

### Product Description

Precision-engineered check valve for diaphragm pumps. Spring-loaded core ensures one-way flow, prevents backflow, stabilizes pressure, and boosts efficiency. Suitable for agricultural and industrial fluid transfer. High reliability extends service life.

